

MICRO SWITCH
a Honeywell Division

FED. MFG. CODE 91929

SWITCH - TOGGLE

32NT91 SERIES CHART 1

CATALOG LISTING

THIS DRAWING COVERS A PROPRIETARY ITEM AND IS THE PROPERTY OF MICRO SWITCH. A DIVISION OF HONEYWELL. THIS DRAWING IS NOT TO BE COPIED OR USED WITHOUT THE APPROVAL OF MICRO SWITCH

CATALOG LISTING 32NT91 SERIES CHART 1

PAGE 1 OF 1

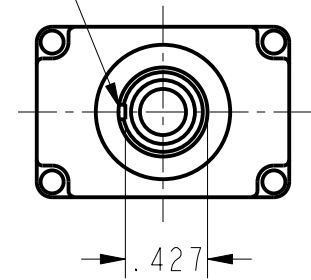
ISSUE 7

REVISIONS

A	C095305	TSM	9 NOV 99
B	CO-94361	DCS	23 NOV 99
C	207782	C S L	27 MAR 03
D	0002084	C S L	18 NOV 03
E	0002302	C S L	10 DEC 03

RELEASE NO. PR-20625
CHECK
SAV
CHECK
DRAWN
TSM 9 NOV 99

.076 ± .008 WIDE KEYWAY



.427

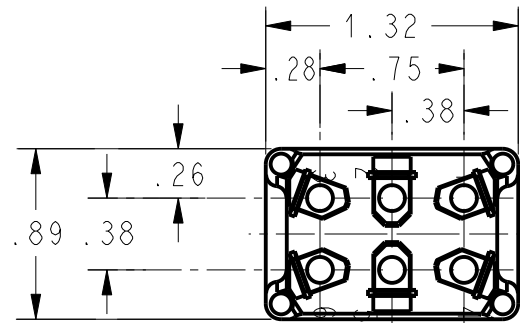
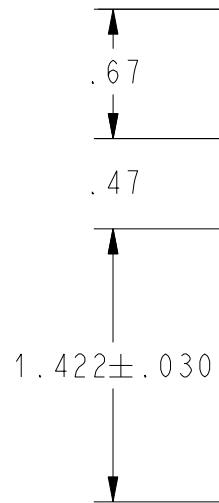
17° ± 4° 34° ± 8° TOTAL TRAVEL

∅ .240

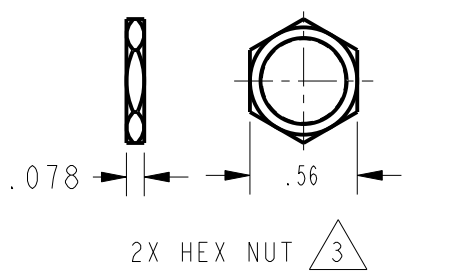
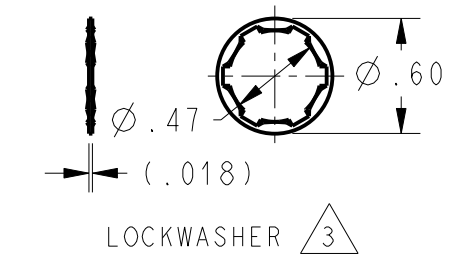
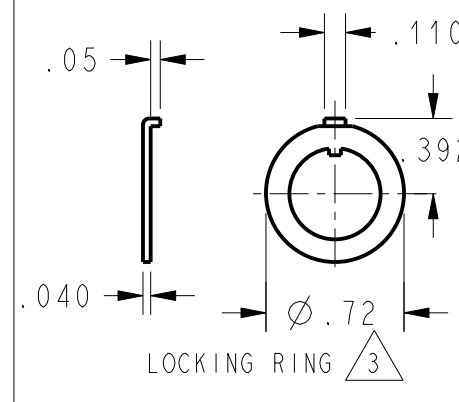
15/32-32 UNS-2A THREAD TO WITHIN .060 OF SHOULDER

SEALED TO PREVENT ENTRANCE OF LIQUIDS OR DUST

6X .250 WIDE QUICK CONNECT TERMINAL



CATALOG LISTING	CIRCUIT MADE WITH TOGGLE LEVER IN $\triangle 4$			ELECTRICAL DATA
	KEYWAY SIDE (1-2, 4-5)	CENTER (1-2, 4-5)	OPPOSITE KEYWAY (2-3, 5-6)	
32NT91-1	ON	OFF	ON	L191 15A 125, <u>250</u> , 277 VAC 1/2HP 125 VAC 1HP <u>250</u> , 277 VAC 5A 125 VAC "L"
32NT91-2	OFF	NONE	ON	
32NT91-3	ON	NONE	ON	
32NT91-21	NONE	OFF	ON	
32NT91-31	NONE	ON	ON	
32NT91-4	MOM OFF	NONE	ON	
32NT91-5	MOM ON	OFF	ON	
32NT91-6	MOM ON	NONE	OFF	
32NT91-7	MOM ON	OFF	MOM ON	L192 10A 125, <u>250</u> , 277 VAC 1/4HP 125 VAC 1/2HP <u>250</u> , 277 VAC 3A 125 VAC "L"
32NT91-8	MOM ON	NONE	ON	
$\triangle 3$	NONE	ON	MOM ON	
32NT91-61	MOM ON	OFF	NONE	



- NOTES
- SWITCHES ARE CAPABLE OF WITHSTANDING A TEMPERATURE OF 160°F CONTINUOUSLY AT FULL RATED LOAD
 - MICRO SWITCH CAT. LIST. MARKED ON SIDE OF SWITCH
 - FURNISHED UNASSEMBLED
 - APPLIES ONLY TO "ON" AND "MOMENTARY ON" POSITIONS
 - TO ORDER WITHOUT HARDWARE ADD (-NH) SUFFIX TO CATALOG LISTING

THIRD ANGLE PROJECTION

SCALE FULL

DO NOT SCALE PRINT

UNLESS OTHERWISE SPECIFIED TOLERANCES ARE

ONE PLACE	(.0)	±.030
TWO PLACE	(.00)	±.015
THREE PLACE	(.000)	±.005
ANGLES		±
WEIGHT		