



BURST FIRING TRIGGER CIRCUIT

BFM-TH

X10644

INTRODUCTION

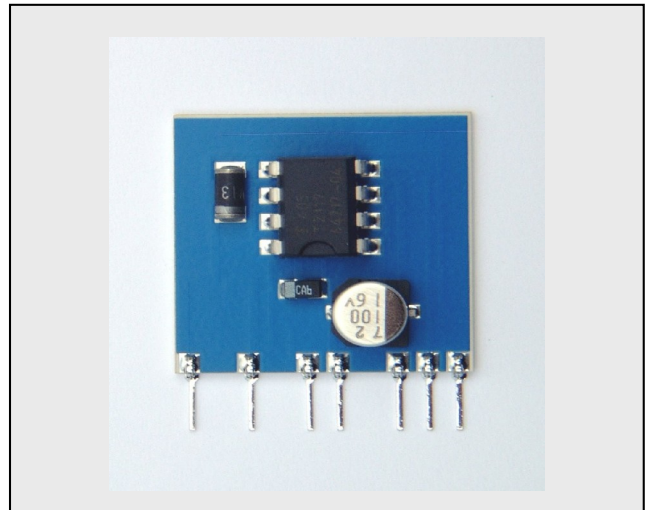
The BFM-TH is a -hybrid burst firing trigger circuit, which generates virtually no RFI or arcing. Its simple 7-pin connections therefore make it versatile and useful as a low cost firing circuit to suit a wide range of load applications with the addition of a potentiometer and triac.

APPLICATIONS

Virtually all resistance heaters including ovens, electric furnaces, moulders, dryers, smelters, heating tapes, stress relieving, space heating and heating mantles. This is unsuitable for use on inductive loads.

FEATURES & USE

- Compact 7-pin connections
- Low power consumption
- Zero voltage switching (no filter required)
- Fast cycle time
- Requires additional:-
 - Potentiometer
 - Triac (power device)
 - Heatsink (for use with triac)

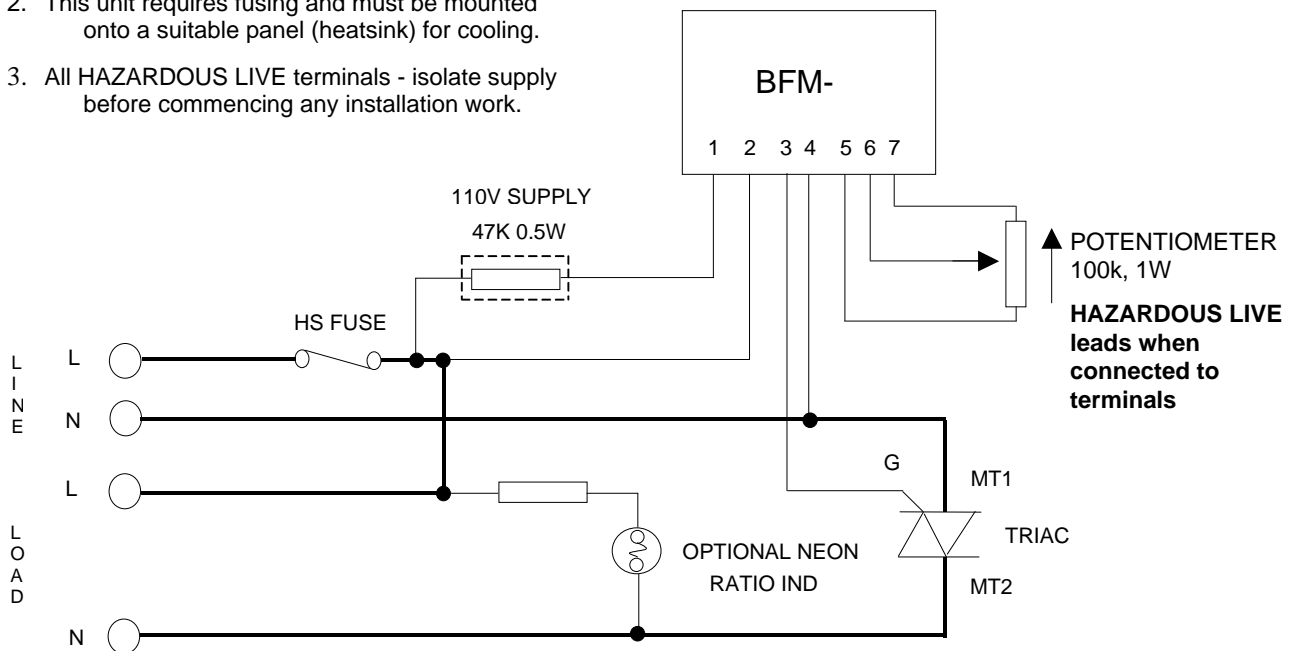


INSTALLATION

Fixina/Mounting/Dimensions

WARNING

1. This unit must be earthed.
2. This unit requires fusing and must be mounted onto a suitable panel (heatsink) for cooling.
3. All HAZARDOUS LIVE terminals - isolate supply before commencing any installation work.



SPECIFICATIONS

RMS input voltage	240V or 110V @ 50Hz
Power consumption	0.5W
Control Potentiometer (not supplied)	100K Ω , 1W *
Cycle time	1S
Max. gate current	100mA
Open circuit pulse height	-5V
Pulse length	0.1mS
Operating temperature	10 to +60°C
Connections	7 pin S.I.L. type
Dimensions	26 X 26 X 7 mm

NOTE: *Potentiometer is HAZARDOUS LIVE part when connected to control circuit (Pins 5, 6, & 7)*

FUSING:

A semiconductor (fast acting) type fuses should be used as remote failsafe device for unit protection. On initial 'switch on' some loads may need an increased Factor of Safety (F of S) for unit and/or device protection. For spares or replacements contact our sales desk.

CE MARKING

This product family carries a "CE marking". These phase angle controllers need a suitable remote filter. For information see recommendation section and contact our sales desk.

RECOMMENDATIONS AND SAFETY GUIDELINES

Other documents available on request, which may be appropriate for your applications.

CODE	IDENTITY	DESCRIPTION
X10229	RFI	Filtering recommendation - addressing EMC Directive
X10213	ITA	Interaction, uses for phase angle and for burst fire control.
X10255	SRA	Safety requirements - addressing the Low Voltage Directive including :- Thermal data/cooling ; "Live" parts warning & Earth requirements; Fusing recommendations.
AP02/4	COS	UAL Conditions of sale

NOTE It is recommended that installation and maintenance of this equipment should be done with reference to the current edition of the I.E.E. wiring regulations (BS7671) by suitably qualified / trained personnel. The regulations contain important requirements regarding safety of electrical equipment. (For International standards refer to I.E.C. directive IEC950).

ORDERING

State product description
Optional extras:

BFM-TH
100K, 1W potentiometer
Heatsink (*various - to suit triac rating*)
Triac (*various - to suit load*)

(contact our technical sales desk for more information)



UNITED AUTOMATION LIMITED

1 Southport Business Park
Kew
Southport, PR8 4HQ
ENGLAND

Tel: 0044 (0) 1704 – 516500 Main
Tel: 0044 (0) 1704 – 516516 Sales
Fax: 0044 (0) 1704 – 516501
Enquiry@united-automation.com
www.united-automation.com

Page No. 2 of 2

Issue 2

30/03/05



015