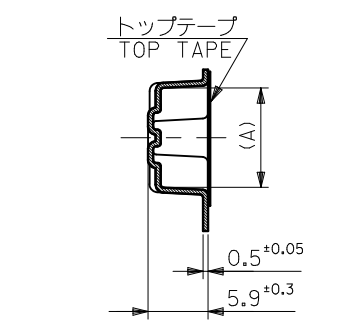
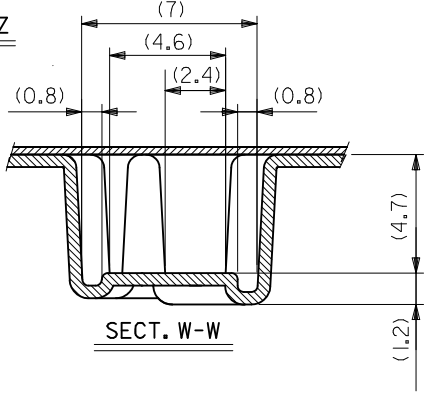
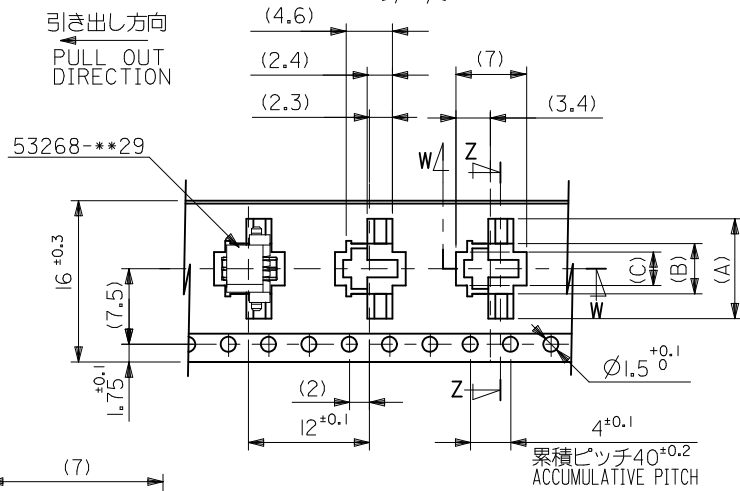


DETAIL "F"



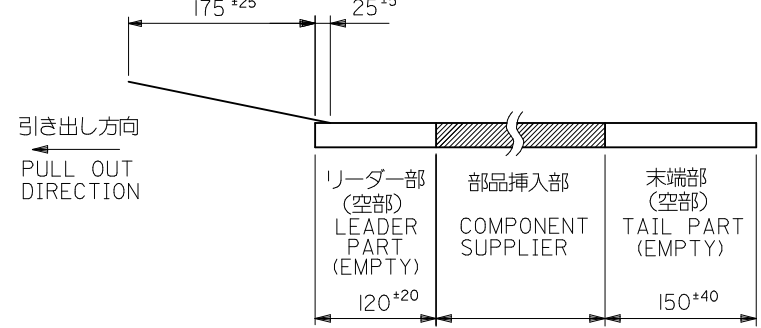
SECT. Z-Z



SECT. W-W

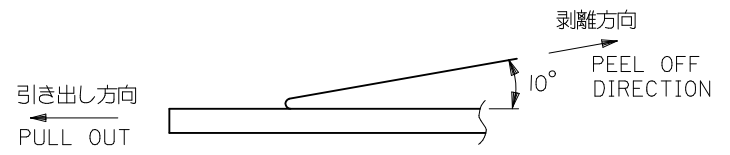
注記 NOTES

- 梱包数量: 1000個/リール NUMBER OF CONNECTORS: 1000PCS/REEL
- リードテープ長さ LEAD TAPE LENGTH
 トップテープ TOP TAPE
 リーダー部 LEADER PART
 部品挿入部 COMPONENT SUPPLIER
 未接着部 NON-BONDED PART



- トップテープの剥離強度: (剥離方向は下図参照)
 0.1N ~ 1.3N {10gf ~ 130gf} 尚、本規格値は、出荷時に適用。
 (但し、輸送時に剥離が発生しない事。)

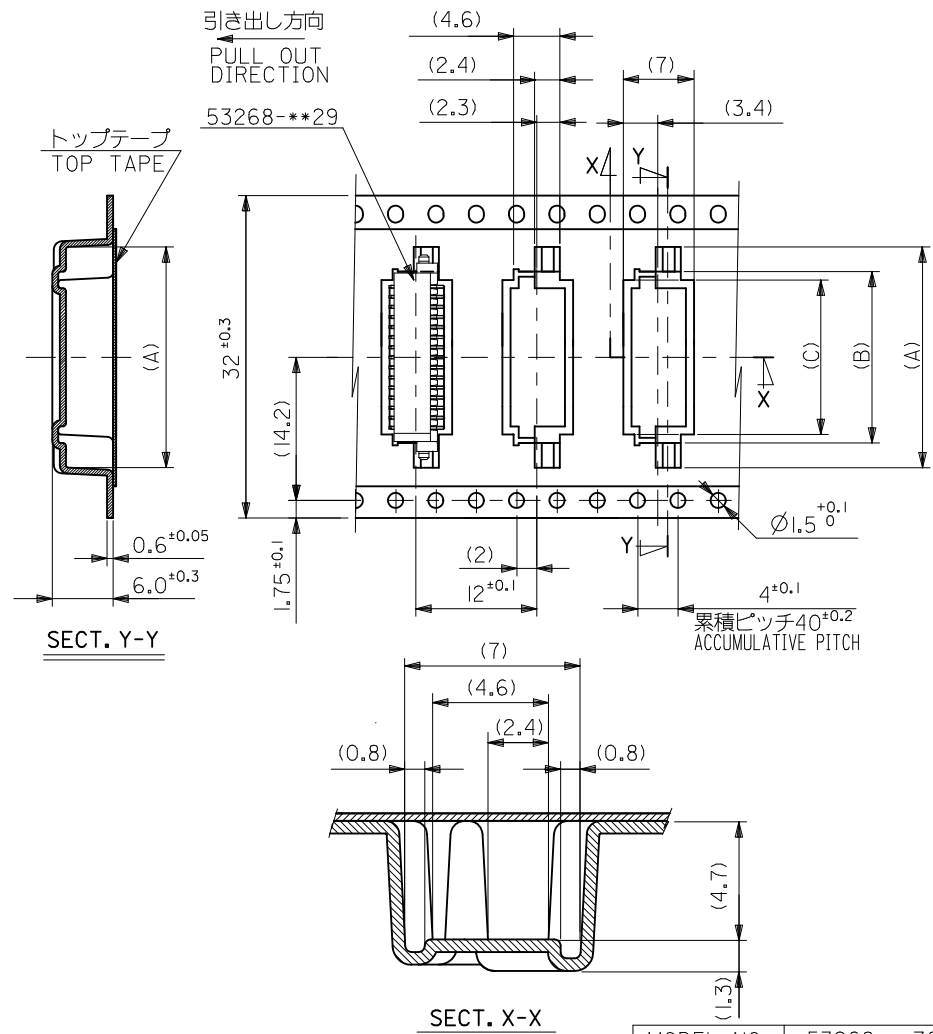
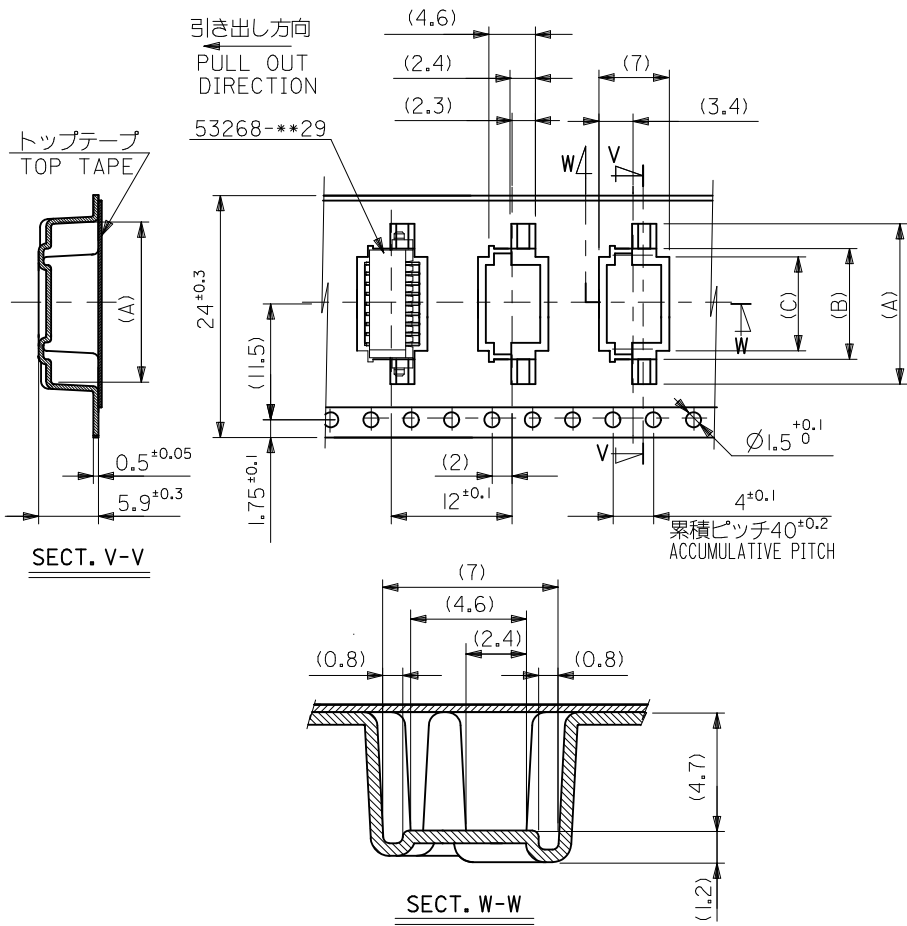
PEELING OFF FORCE OF TOP TAPE : 0.1N ~ 1.3N {10gf ~ 130gf}
 (PEELING DIRECTION AS SHOWN IN FOLLOWING FIG.)
 THIS REQUIREMENT SHOULD BE APPLIED AT SHIPMENT
 PEEL OFF SHOULD NOT BE ALLOWED, DURING TRANSPORTATION



- 材料 MATERIAL
 キャリアテープ: ポリプロピレン (PP) CARRIER TAPE: POLYPROPYLENE
 トップテープ: PET, PE, PEF TOP TAPE: PET, PE, PEF
 リール: ポリスチレン (PS) REEL: POLYSTYRENE (PS)
 <リサイクル材を含む> <RECYCLE MATERIAL CONTAINED>
- 本製品は 53268-***91 の鉛フリー品である。
 THIS PRODUCT IS LEAD FREE OF 53268-***91.

16	21.4	17.4	3.1	5	9.9	53268-0670	6
キャリアテープ幅 CARRIER TAPE WIDTH	E	D	(C)	(B)	(A)	MATERIAL NO.	極数 CIRCUIT

REVISED EC NO: J2012-0366 DRWN: YON002 CHKD: TASAKAWA APPR: MSASAO 2011/09/14 2011/09/27 2011/11/21	GENERAL TOLERANCES (UNLESS SPECIFIED)		DIMENSION STYLE MM ONLY		SCALE ---	DESIGN UNITS METRIC	MODEL NO. 53268-***70
	10 UNDER	± ---	DRAWN BY Y. WADA	DATE 2004/05/17	TITLE 1.0 BTB CONN WAFER ASSY RA SMT EMBSTP PKG -LEAD FREE-		
	10 OVER 30 UNDER	± ---	CHECKED BY M. SASAO	DATE 2004/05/17	MATERIAL NO. SEE CHART		
	30 OVER	± ---	APPROVED BY	DATE	DOCUMENT NO. SD-53268-010		
ANGULAR ± --- °		DRAFT WHERE APPLICABLE MUST REMAIN WITHIN DIMENSIONS		MATERIAL NO. SEE CHART		SHEET NO. 1 OF 2	
THIS DRAWING CONTAINS INFORMATION THAT IS PROPRIETARY TO MOLEX INCORPORATED AND SHOULD NOT BE USED WITHOUT WRITTEN PERMISSION							



24	29.4	25.4	11.1	13	17.9	53268-2270	22
			9.1	11	15.9	53268-1870	18
			6.1	8	12.9	53268-1270	12
キャリアテープ幅 CARRIER TAPE WIDTH	E	D	(C)	(B)	(A)	MATERIAL NO.	極数 CIRCUIT

REVISED EC NO: J2012-0366 DRWN: YON002 2011/09/14 CHKD: TASAKAWA 2011/09/27 APPR: MSASAO 2011/11/21	GENERAL TOLERANCES (UNLESS SPECIFIED)		DIMENSION STYLE MM ONLY		SCALE ---	DESIGN UNITS METRIC	MODEL NO. 53268-***70	
	10 UNDER	± ---	DRAWN BY Y. WADA	DATE 2004/05/17	TITLE 1.0 BTB CONN WAFER ASSY RA SMT EMBSTP PKG -LEAD FREE-			
	10 OVER 30 UNDER	± ---	CHECKED BY M. SASAO	DATE 2004/05/17	MOLEX INCORPORATED			
	30 OVER	± ---	APPROVED BY	DATE	MATERIAL NO. SEE CHART			
	ANGULAR ± --- °	DRAFT WHERE APPLICABLE MUST REMAIN WITHIN DIMENSIONS		DOCUMENT NO. SD-53268-010		SHEET NO. 2 OF 2		
				SIZE A3	THIS DRAWING CONTAINS INFORMATION THAT IS PROPRIETARY TO MOLEX INCORPORATED AND SHOULD NOT BE USED WITHOUT WRITTEN PERMISSION			