

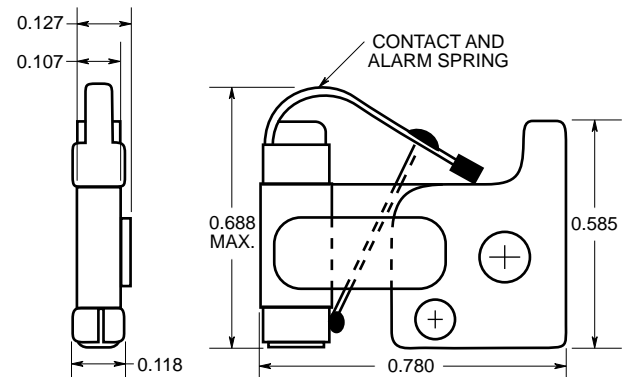
Fast-Acting Indicating Fuse

60 Volts DC, 125 Volts AC

GMT



Dimensional Data



CATALOG SYMBOL: GMT
 FAST-ACTING
 60V DC, 125V AC
 INTERRUPTING RATING—450 AMP, 60 VOLT DC
 300 AMP, 125 VOLT AC
 U.L. RECOGNIZED (GUIDE # JFHR2, FILE E56412)

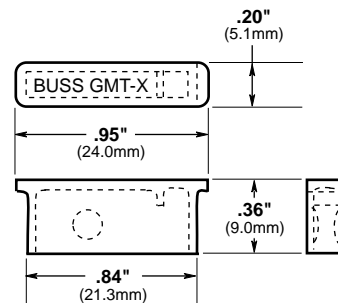
Materials:

Body: Thermoplastic, U.L. 94VO flammability rating

Terminals: Tin plated Beryllium Copper

Carton Qty. and Weight: 100 Fuses per carton;
 0.33 lbs. (150g.)

Fuseholders: Catalog No. HLT, HLS, and PCT



GMT-X Fuse Cover

Catalog Symbol and Color Codes

Catalog Symbol	Color Code	Catalog Symbol	Color Code
	GMT-2	Orange	
GMT-18/100	Yellow	GMT-3	Blue
GMT-1/4	Violet	GMT-3-1/2	White/Blue
GMT-3/8	White/Gray	GMT-4	White/Brown
GMT-1/2	Red	GMT-5	Green
GMT-65/100	Black	GMT-7-1/2	Black/White
GMT-3/4	Brown	GMT-10	Red/White
GMT-1	Gray	GMT-12	Yellow/Green
GMT-1-1/3	White	GMT-15	Red/Blue
GMT-1-1/2	White/Yellow	GMT-Dummy	—

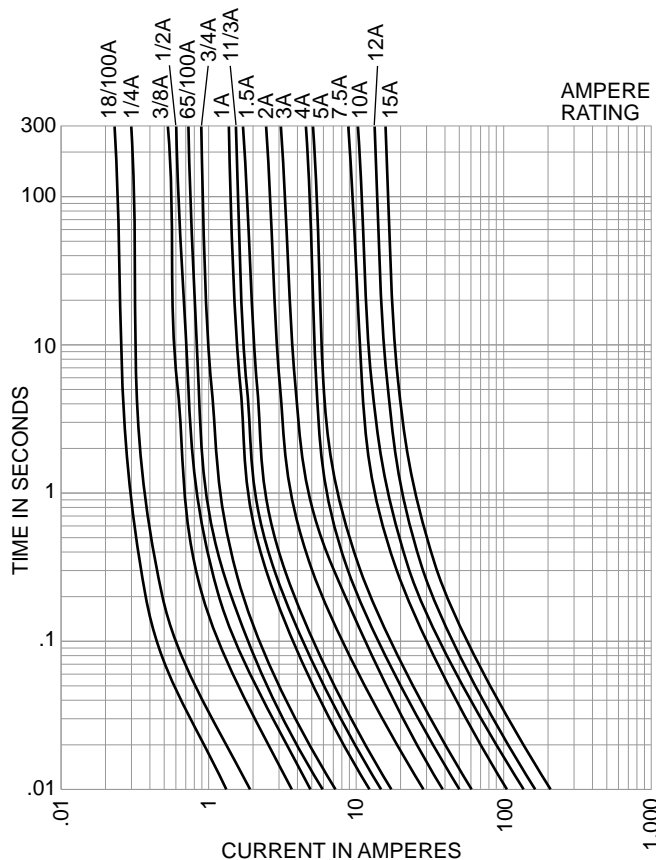
- For telecommunications, computer, or control circuits.
- Visual spring indicating and alarm circuit indicating.
- Color coded flags designate ampere rating.
- Fuses easily replaced without use of insulated tools.
- Fuses can be removed with wire hook, when mounted on minimum centers.
- **GMT-X** fuse cover available.

Fast-Acting Indicating Fuse

125 Volts AC, 60 Volts DC

GMT

Time-Current Characteristic Curves—Average Melt



Test Specifications

Percent Overload	Opening Time
100%	10 min. (minimum)
150%	5 min. (maximum)

This bulletin is intended to clearly present comprehensive product data and provide technical information that will help the end user with design applications. Bussmann reserves the right, without notice, to change design or construction of any products and to discontinue or limit distribution of any products. Bussmann also reserves the right to change or update, without notice, any technical information contained in this bulletin. Once a product has been selected, it should be tested by the user in all possible applications.