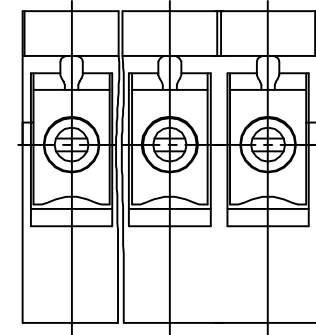
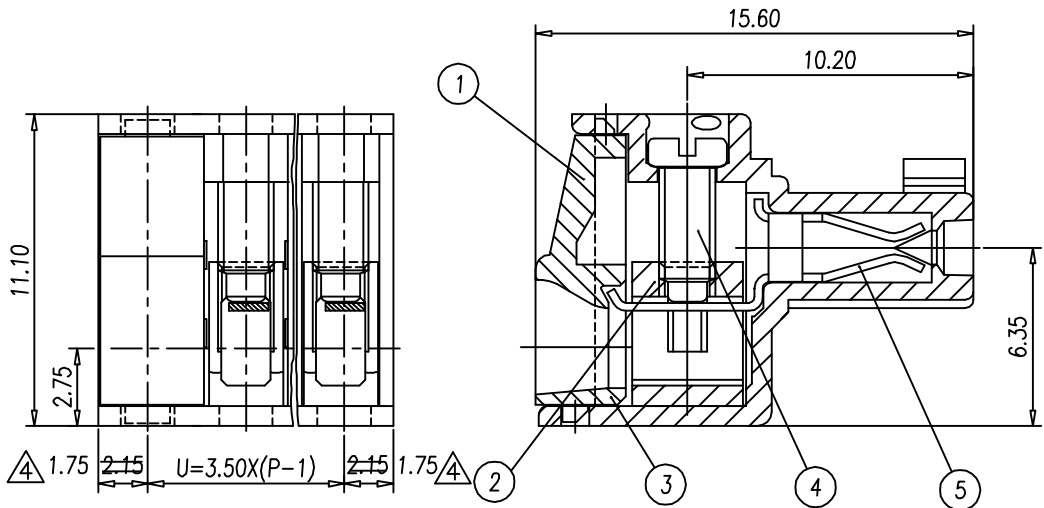


△4	P	2	3	4	5	6	7	8	9	10	11	12	13
	U	3.50	7.00	10.50	14.00	17.50	21.00	24.50	28.00	31.50	35.00	38.50	42.00
	V	7.00	10.50	14.00	17.50	21.00	24.50	28.00	31.50	35.00	38.50	42.00	45.50
	P	14	15	16	17	18	19	20	21	22	23	24	
	U	45.50	49.00	52.50	56.00	59.50	63.00	66.50	70.00	73.50	77.00	80.50	
	V	49.00	52.50	56.00	59.50	63.00	66.50	70.00	73.50	77.00	80.50	84.00	
Tolerances for PITCH ERROR													

NOTES:

- Rating: 300V 8A (IEC 125V 12A)
PITCH: 3.50mm
- Insulation Withstands Voltage:
AC 2000V/MIN
- Insulation Resistance:
1000MΩ or more at DC500V
- Using Temperature Range:
-40°C~+130°C
- Suitable Electric Wire: AWG 28~16 (1.5mm²)
- Screw Torque Value: 2kgf-cm
- Undimensioned Tolerances:

—	∩	∇	0.05/10
⊥	//	≡	0.2/10
PITCH ERROR			0.05/10
UNDIMENSIONED TOLERANCES			±0.3



1	HOUSING	0080A0XX00	1	PBT	GREEN
ITEM	NAME OF PART	NO. OF PART	Q'TY	MATERIAL	NOTES
DWG.	Y.y	DATE	03.09.18	UNITS	MM SHEET/OF 1/1
CHK.		DATE		SCALE	5:1 (:)
APP.		DATE		NAME	20.1550/XX
				IMMO	DWG NO.

△5		YFY	04.03.26										
△4		LJF	03.10.10	5	SOLDER PIN	0070B00100	P	BRONZE					
△3		YFY	03.10.10	4	SCREW	S000010200	P	STEEL	M2/Zn Plated				
△2			01.11.1	3	COVER	0080L3XX00	1	PBT	GREEN				
REV.	CONTENT	CHK.	DATE	2	WIRE CAGE	X000007400 X000002700	P	Hard Brass C360	M2/Ni Plated M2/Zn Plated				