

Tous droits strictement réservés. Reproduction ou communication à des tiers sans autorisation écrite du propriétaire.
 Copyright BERG ELECTRONICS, INC.
 Droits de reproduction BERG ELECTRONICS by

All rights strictly reserved. Reproduction or issue to third parties in any form without written authority from the proprietor.
 Copyright BERG ELECTRONICS, INC.
 Copyright BERG ELECTRONICS by

PRODUCT NUMBER	NUMBER OF POS.	DIM A	DIM B	DIM C	DIM D	DIM E	DIM F	DIM G	LOADED POSITION	HOUSING COLOR	PRODUCT FIGURE	PLATING CODE X	PLATING
87180-X44/-X44LF	4	3.05	3.81	7.62	11.20	3.05	5.50	7.87	ALL POS.	BLACK	FIGURE 1	0	30u " G.X.T.
87180-X42/-X42LF									2,3				
87180-X66/-X66LF									ALL POS.				
87180-X64/-X64LF	6	5.08	6.35	10.16	13.20	4.06	6.60	9.90	2,3,4,5	BLACK	FIGURE 2	1	15u " AU
87180-X64A/-X64ALF									1,2,5,6				
87180-X62/-X62LF									3,4				
87180-X88/-X88LF	8	7.11	8.89	11.43	15.24	4.06	6.30	11.94	ALL POS.	BLACK	FIGURE 2	2	20u " GFPD
87180-X88E/-X88ELF									ALL POS.				
87180-X86/-X86LF									2,3,4,5,6,7				
87180-X84/-X84LF									3,4,5,6				
87180-X84A/-X84ALF									1,4,5,8				
87180-X84B/-X84BLF									1,2,3,6				
87180-X84C/-X84CLF	1,2,7,8												

LEAD FREE PRODUCT NO.

NOTE 7 BERG MFG SLT CODE

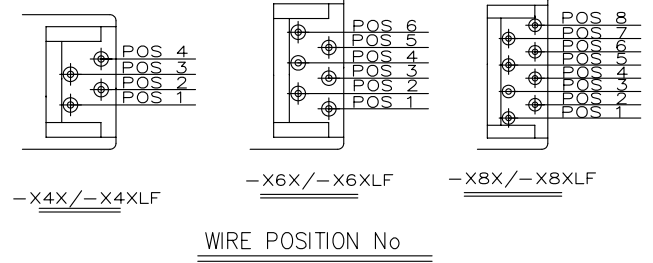
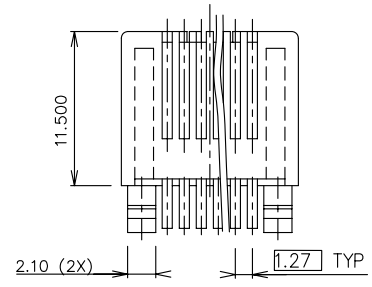
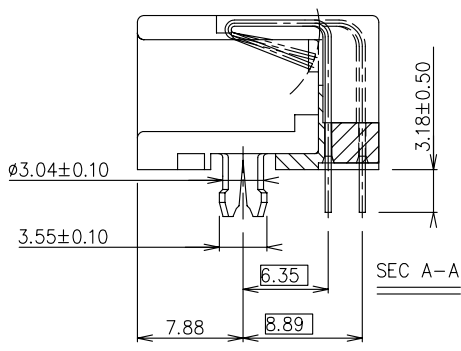
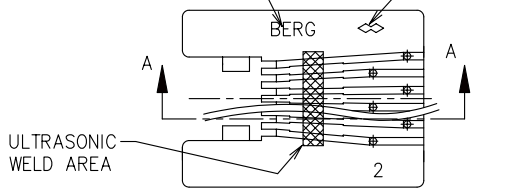
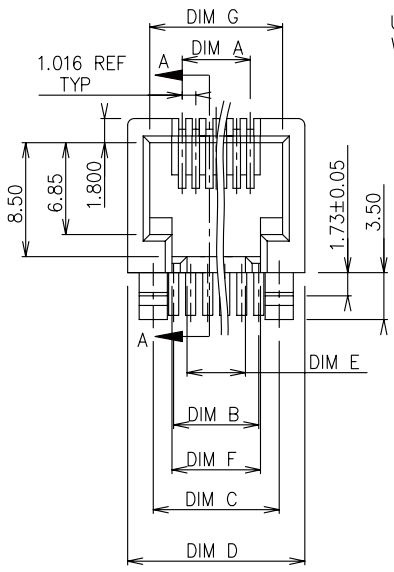


FIGURE 1 - 4 & 6 POS. TYPES.

mat'l code		tolerance unless otherwise specified		CUSTOMER COPY		FCI		www.fciconnect.com	
rev.	ecn no.	dr	date	linear	.0 ± 0.25	projection	title		
T	T80093	GATHY L	03/09/98		.00 ± 0.13		LOW PROFILE PCB III HORZ MOD JACK, FOR 1.6MM P.C.B.		
U	T80227	GATHY L	06/05/98		.000± 0.05		product family MOD JACK code		
V	T03-0373	WL	09/05/03	angles	± 2°	mm/inch	size	dwg no.	TWN
W	T04-0300	WL	07/08/04	dr	KCHOU	10/19/93	A3	87180	sheet 1 OF 2
X	T04-0325	RC	07/16/04	enr	TONY CHIEN	10/19/93			
Y	N05-0019	YS	01/27/05	chr	TONY CHIEN	10/19/93			
				appd	JENN TSAO	10/19/93			
sheet index	revision sheet	Y	Y						
		1	2						

Tous droits strictement réservés. Reproduction ou communication à des tiers sans autorisation écrite du propriétaire.
 Berg Electronics, Inc.
 Droits de reproduction BERG ELECTRONICS by

All rights strictly reserved. Reproduction or issue to third parties in any form without written authority from the proprietor.
 Berg Electronics, Inc.
 Copyright BERG ELECTRONICS by

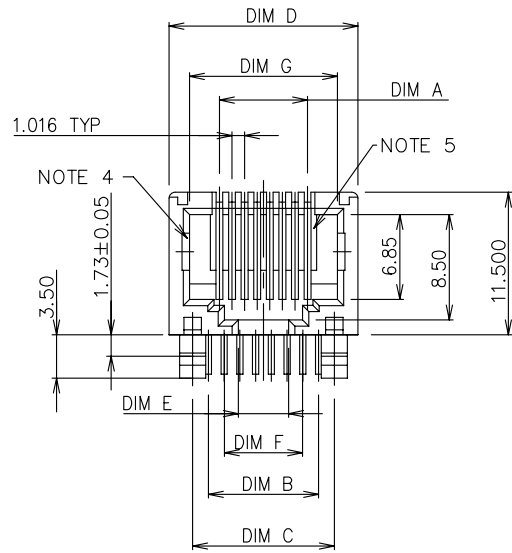
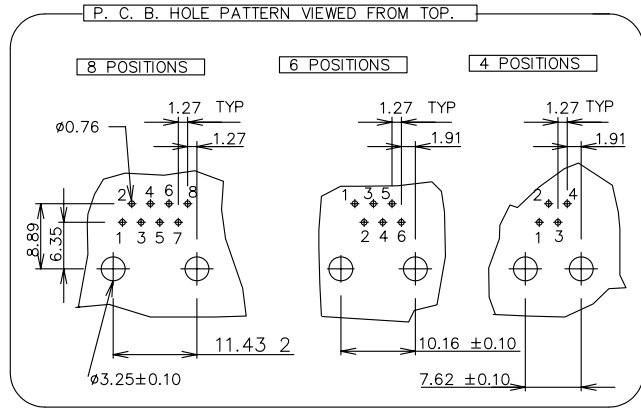
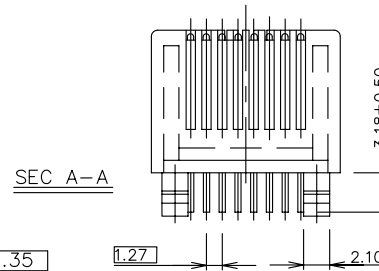
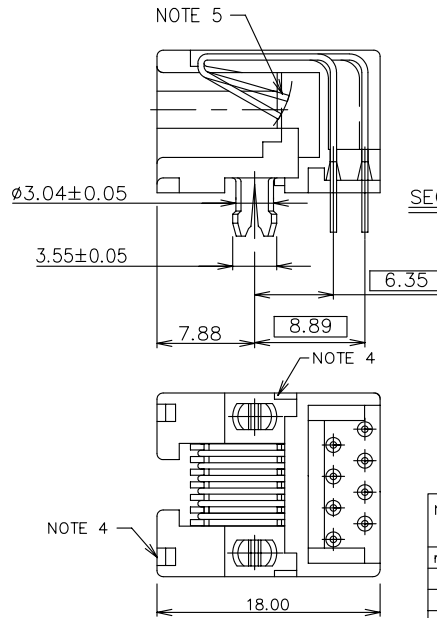
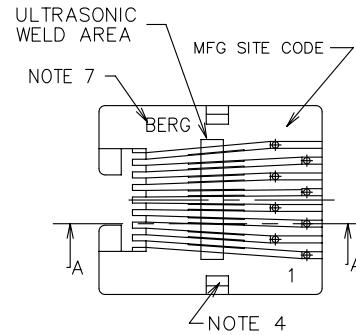


FIGURE 2- 8 POS TYPE.



NOTES:

1. RECOMMENDED P.C.B THICKNESS 1.60 MM
2. HOUSING MAT'L: NYLON 6/6, 25% GLASS REINFORCED, UL94-V0, COLOR : SEE TABLE.
3. CONTACTS: PHOS BRONZE ALLOY UNS-C51000, 0.460DIA. ROUND WIRE. PLATING SEE TABLE.
- ④ APPEARS ON 8 POS TYPE (P/N 87180-X8X) ONLY.
- ⑤ PROTRUDED SHELF ONLY APPEARS ON 8-POS JACK.
6. STANDARD PACKAGING METHOD(USE TUBE): SEE GES-14-361.
- ⑦ COMPANY LOGO CAN BE "BERG" OR "DU PONT", AND WOULD APPEAR IN THE SAME SHIPMENT UNLESS LOGO SPEC HEREIN IS UPDATED.
8. THE PRODUCT MEETS EUROPEAN UNION DIRECTIVES AND OTHER COUNTRY REGULATIONS AS DESCRIBED IN GS-22-008.
9. THE HOUSING WILL WITHSTAND EXPOSURE TO 260°C PEAK TEMPERATURE FOR 10 SECONDS IN A WAVE SOLDER APPLICATION WITH A 1.60mm MINIMUM THICK CIRCUIT BOARD.
10. IF LF P/N PACKAGING MEETS GS-14-920 SPECIFICATION.

mat'l code		tolerance unless otherwise specified		CUSTOMER COPY		 www.fciconnect.com		
rev.	ecn no.	dr	date	linear	.0 ± 0.25	 projection	title LOW PROFILE PCB III HORZ MOD JACK, FOR 1.6MM P.C.B.	
Y					.00 ± 0.13			
					.000 ± 0.05			
				angles	± 2'	 scale 1:1	product family size A3 code TWN sheet 2 OF	
				dr	KCHOU 10/19/93			87180
				enr	TONY CHIEN 10/19/93			
				chr	TONY CHIEN 10/19/93			
				appd	JENN TSAO 10/19/93			
sheet	revision							
index	sheet							