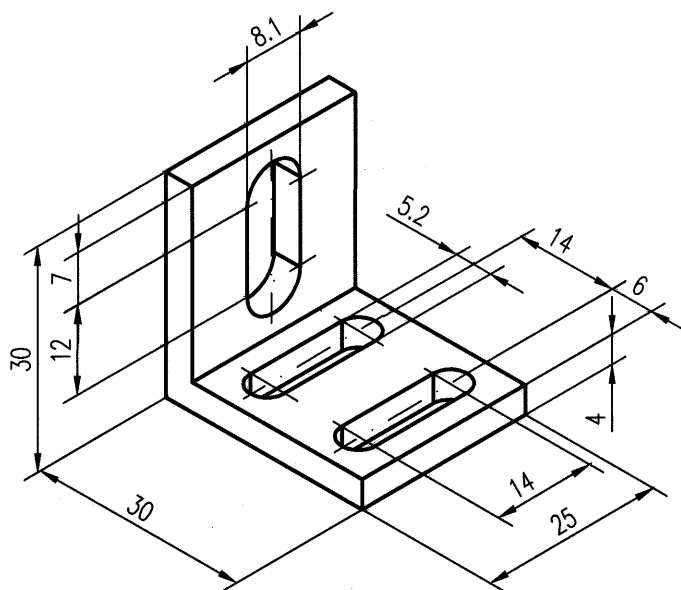


Mounting Bracket

25 x 30 x 30

BES 08-HW-1

BAM009U



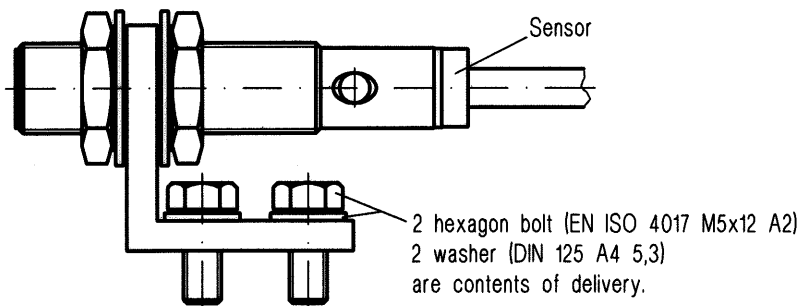
Use

The mounting bracket is used for securing sensors M8x1

Data

Material Aluminium

Installation Example



Definitions see general catalog



HOLCZM 07.04.2009 Modifications reserved Mod.-No. 02.109919

Balluff GmbH, P.O. Box 1160, 73761 Neuhausen, Germany
 Phone: +49 7158 1730, Fax: +49 7158 5010