

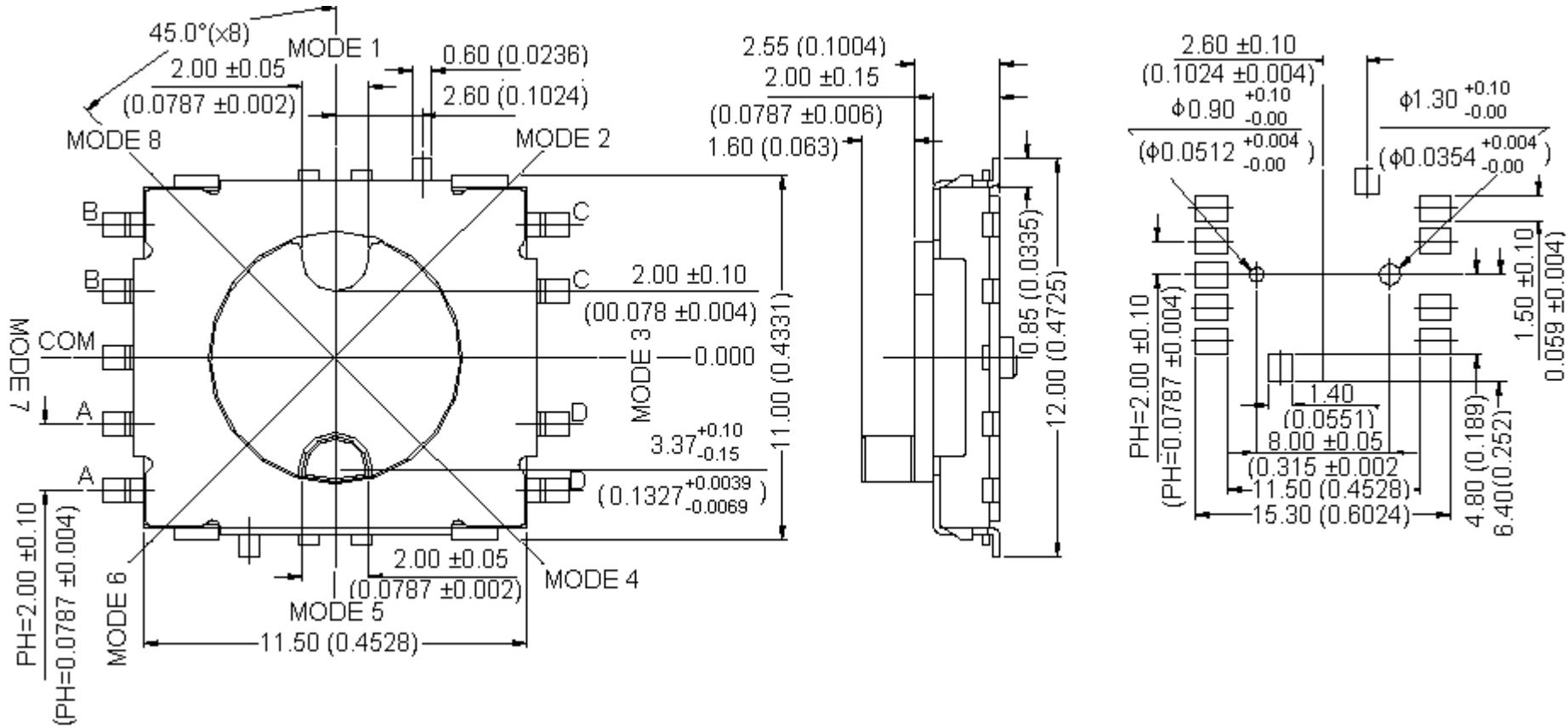


PART NO.

MCSR Series

REVISIONS

ECN #	REV	DESCRIPTION	DRAWN	DATE	CHECKD	DATE	APPRVD	DATE
-	A	RELEASED	Jagan	11/2/08	Suresh	11/2/08	G. C	26/2/08



Dimensions: Millimetres (Inches)

This data sheet and its contents (the "Information") belong to the Premier Farnell Group (the "Group") or are licensed to it. No licence is granted for the use of it other than for information purposes in connection with the products to which it relates. No licence of any intellectual property rights is granted. The Information is subject to change without notice and replaces all data sheets previously supplied. The Information supplied is believed to be accurate but the Group assumes no responsibility for its accuracy or completeness, any error in or omission from it or for any use made of it. Users of this data sheet should check for themselves the Information and the suitability of the products for their purpose and not make any assumptions based on information included or omitted. Liability for loss or damage resulting from any reliance on the Information or use of it (including liability resulting from negligence or where the Group was aware of the possibility of such loss or damage arising) is excluded. This will not operate to limit or restrict the Group's liability for death or personal injury resulting from its negligence. SPC MULTICOMP is the registered trademark of the Group. © Premier Farnell plc 2008.

TOLERANCES:
UNLESS OTHERWISE SPECIFIED, DIMENSIONS ARE FOR REFERENCE PURPOSES ONLY.

DRAWN BY:	DATE:
Jagan	11/02/08
CHECKED BY:	DATE:
Suresh	11/02/08
APPROVED BY:	DATE:
G.Cook	26/02/08

DRAWING TITLE:

Rotary Switches - Low Profile

SIZE	DWG NO.	ELECTRONIC FILE	REV
A	M10000824	SRM-V_DWG	A
SCALE: NTS	U.O.M.: mm (Inches)	SHEET: 1 OF 4	

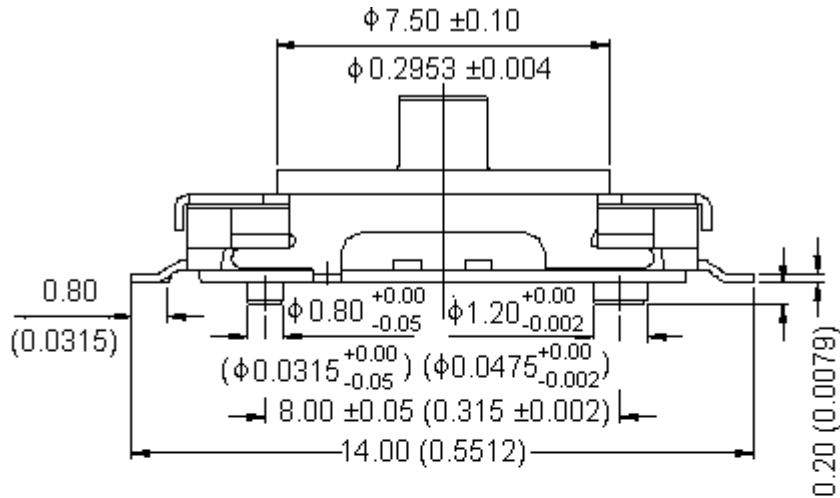


PART NO.

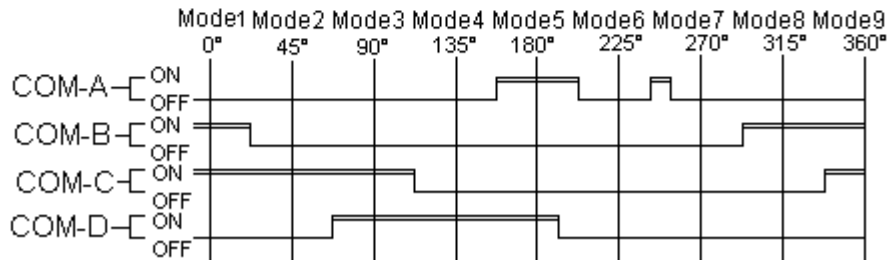
MCSR Series

REVISIONS

ECN #	REV	DESCRIPTION	DRAWN	DATE	CHECKD	DATE	APPRVD	DATE
-	A	RELEASED	Jagan	11/2/08	Suresh	11/2/08	G. C	26/2/08



Changeover Timing



Dimensions: Millimetres (Inches)

Changeover Angle

	Mode 1	Mode 2	Mode 3	Mode 4	Mode 5	Mode 6	Mode 7	Mode 8
COM-A	OFF	OFF	OFF	OFF	ON	OFF	OFF	OFF
COM-B	ON	OFF	OFF	OFF	OFF	OFF	OFF	ON
COM-C	ON	ON	ON	OFF	OFF	OFF	OFF	OFF
COM-D	OFF	OFF	ON	ON	ON	OFF	OFF	OFF

This data sheet and its contents (the "Information") belong to the Premier Farnell Group (the "Group") or are licensed to it. No licence is granted for the use of it other than for information purposes in connection with the products to which it relates. No licence of any intellectual property rights is granted. The Information is subject to change without notice and replaces all data sheets previously supplied. The Information supplied is believed to be accurate but the Group assumes no responsibility for its accuracy or completeness, any error in or omission from it or for any use made of it. Users of this data sheet should check for themselves the Information and the suitability of the products for their purpose and not make any assumptions based on information included or omitted. Liability for loss or damage resulting from any reliance on the Information or use of it (including liability resulting from negligence or where the Group was aware of the possibility of such loss or damage arising) is excluded. This will not operate to limit or restrict the Group's liability for death or personal injury resulting from its negligence. SPC MULTICOMP is the registered trademark of the Group. © Premier Farnell plc 2008.

TOLERANCES:

UNLESS OTHERWISE SPECIFIED, DIMENSIONS ARE FOR REFERENCE PURPOSES ONLY.

DRAWN BY:

Jagan

CHECKED BY:

Suresh

APPROVED BY:

G.Cook

DATE:

11/02/08

DATE:

11/02/08

DATE:

26/02/08

DRAWING TITLE:

Rotary Switches - Low Profile

SIZE
A

DWG NO.

M10000824

ELECTRONIC FILE
SRM-V_DWG

REV
A

SCALE: NTS

U.O.M.: mm (Inches)

SHEET: 1 OF 2



PART NO.

MCSR Series

REVISIONS

ECN #	REV	DESCRIPTION	DRAWN	DATE	CHECKD	DATE	APPRVD	DATE
-	A	RELEASED	Jagan	11/2/08	Suresh	11/2/08	G. C	26/2/08

Specifications:

Mechanical:

Maximum mechanical life : 200mΩ, 10,000 cycles.
 Operation force : N = 130 ±50gf.
 B = 40 ±30gf.

Environmental:

Operating temperature : -20 to +80°C.
 Storage temperature : -40 to +85°C.

Electrical:

Maximum electrical life : 200mΩ, 10,000 cycles.
 Switching rating : 25mA, 24V dc.
 Maximum contact resistance : (a) 70mΩ (initial).
 : (b) 200mΩ (final).

Minimum insulation resistance : 100MΩ at 500V DC.
 Voltage proof : 300V ac for 1 minute.

Materials:

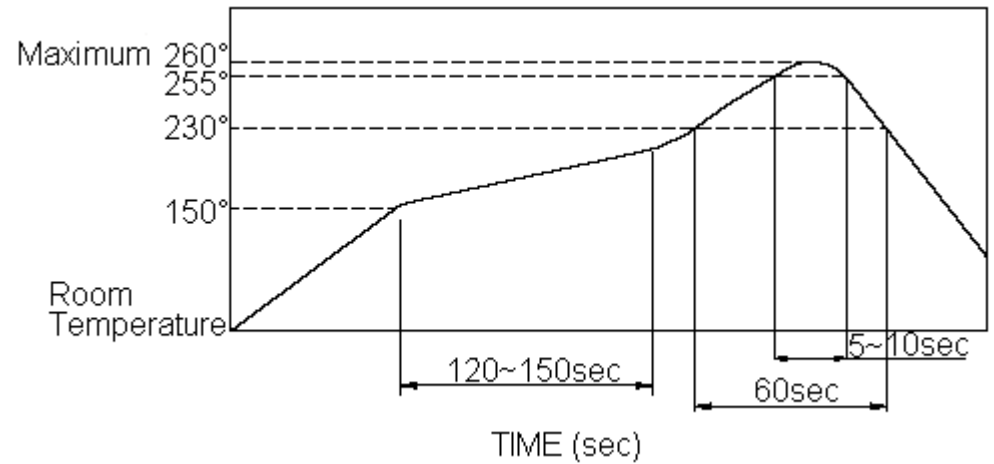
Cover : Nickel silver.
 Base/stem : UL 94V-0 Nylon high temperature thermoplastic.
 Color : Black.
 Contact : Alloy copper
 Spring plate : Stainless steel
 Terminal : Brass with silver plated.

Soldering Process:

Hand Soldering : Use a sold iron of 30 watts, controlled at 350°C approximately 5 seconds while applying.

Reflow Soldering : When applying reflow soldering, the peak temperature or the reflow over should be set at 260°C maximum.

Reflow Temperature Profile



This data sheet and its contents (the "Information") belong to the Premier Farnell Group (the "Group") or are licensed to it. No licence is granted for the use of it other than for information purposes in connection with the products to which it relates. No licence of any intellectual property rights is granted. The Information is subject to change without notice and replaces all data sheets previously supplied. The Information supplied is believed to be accurate but the Group assumes no responsibility for its accuracy or completeness, any error in or omission from it or for any use made of it. Users of this data sheet should check for themselves the Information and the suitability of the products for their purpose and not make any assumptions based on information included or omitted. Liability for loss or damage resulting from any reliance on the Information or use of it (including liability resulting from negligence or where the Group was aware of the possibility of such loss or damage arising) is excluded. This will not operate to limit or restrict the Group's liability for death or personal injury resulting from its negligence. SPC MULTICOMP is the registered trademark of the Group. © Premier Farnell plc 2008.

TOLERANCES:

UNLESS OTHERWISE SPECIFIED, DIMENSIONS ARE FOR REFERENCE PURPOSES ONLY.

DRAWN BY:	DATE:
Jagan	11/02/08
CHECKED BY:	DATE:
Suresh	11/02/08
APPROVED BY:	DATE:
G.Cook	26/02/08

DRAWING TITLE:

Rotary Switches - Low Profile

SIZE	DWG NO.	ELECTRONIC FILE	REV
A	M10000824	SRM-V_DWG	A
SCALE: NTS		U.O.M.: mm (Inches)	SHEET: 1 OF 3



PART NO.

MCSR Series

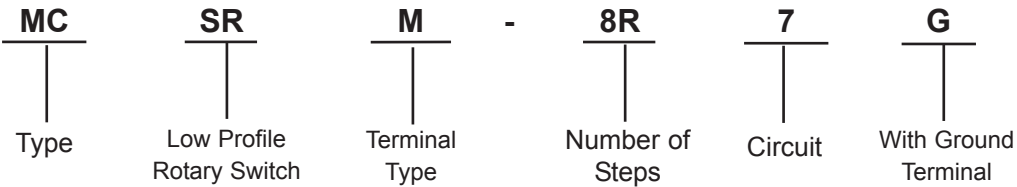
REVISIONS

ECN #	REV	DESCRIPTION	DRAWN	DATE	CHECKD	DATE	APPRVD	DATE
-	A	RELEASED	Jagan	11/2/08	Suresh	11/2/08	G. C	26/2/08

Part Number Table

Description	Part Number
Switch, Rotary, 7 Circuit	MCSR-8R7G
Switch, Rotary, 8 Circuit	MCSR-8R8G

Part Number Explanation



- Terminal Type** : M = SMT Type.
- Number of Steps** : 8 = 8 Steps.
- Circuit** : 7 = 7 Circuits, Black.
8 = 8 Circuits, Brown.

<http://www.farnell.com>
<http://www.newark.com>
<http://www.cpc.co.uk>

This data sheet and its contents (the "Information") belong to the Premier Farnell Group (the "Group") or are licensed to it. No licence is granted for the use of it other than for information purposes in connection with the products to which it relates. No licence of any intellectual property rights is granted. The Information is subject to change without notice and replaces all data sheets previously supplied. The Information supplied is believed to be accurate but the Group assumes no responsibility for its accuracy or completeness, any error in or omission from it or for any use made of it. Users of this data sheet should check for themselves the Information and the suitability of the products for their purpose and not make any assumptions based on information included or omitted. Liability for loss or damage resulting from any reliance on the Information or use of it (including liability resulting from negligence or where the Group was aware of the possibility of such loss or damage arising) is excluded. This will not operate to limit or restrict the Group's liability for death or personal injury resulting from its negligence. SPC MULTICOMP is the registered trademark of the Group. © Premier Farnell plc 2008.

TOLERANCES:
UNLESS OTHERWISE SPECIFIED, DIMENSIONS ARE FOR REFERENCE PURPOSES ONLY.

DRAWN BY:	DATE:
Jagan	11/02/08
CHECKED BY:	DATE:
Suresh	11/02/08
APPROVED BY:	DATE:
G.Cook	26/02/08

DRAWING TITLE:			
Rotary Switches - Low Profile			
SIZE	DWG NO.	ELECTRONIC FILE	REV
A	M10000824	SRM-V_DWG	A
SCALE: NTS		U.O.M.: mm (Inches)	SHEET: 1 OF 4