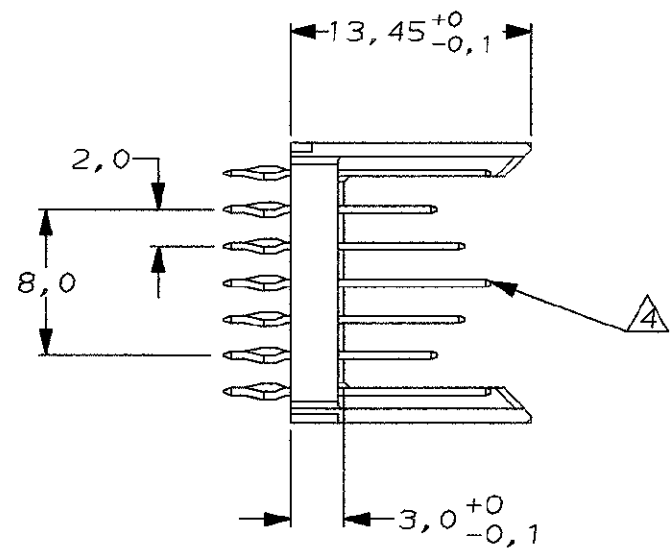
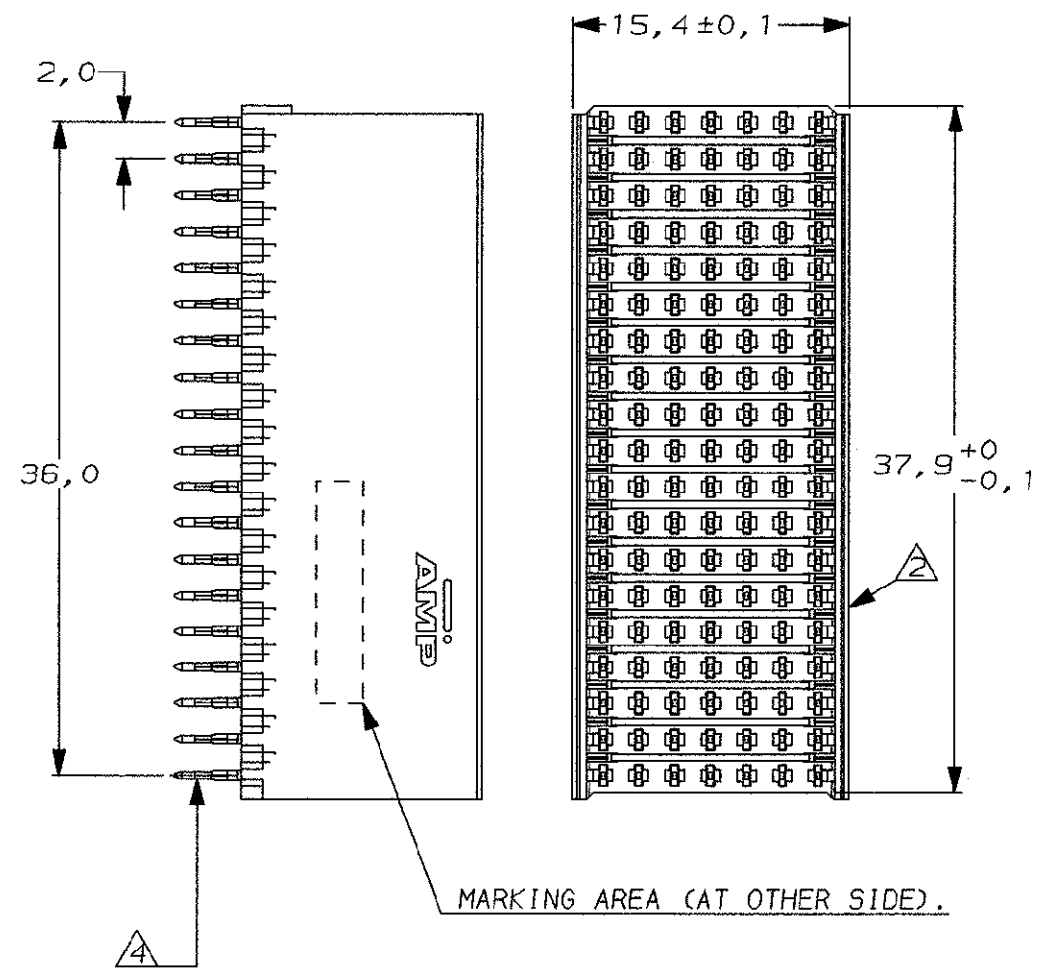


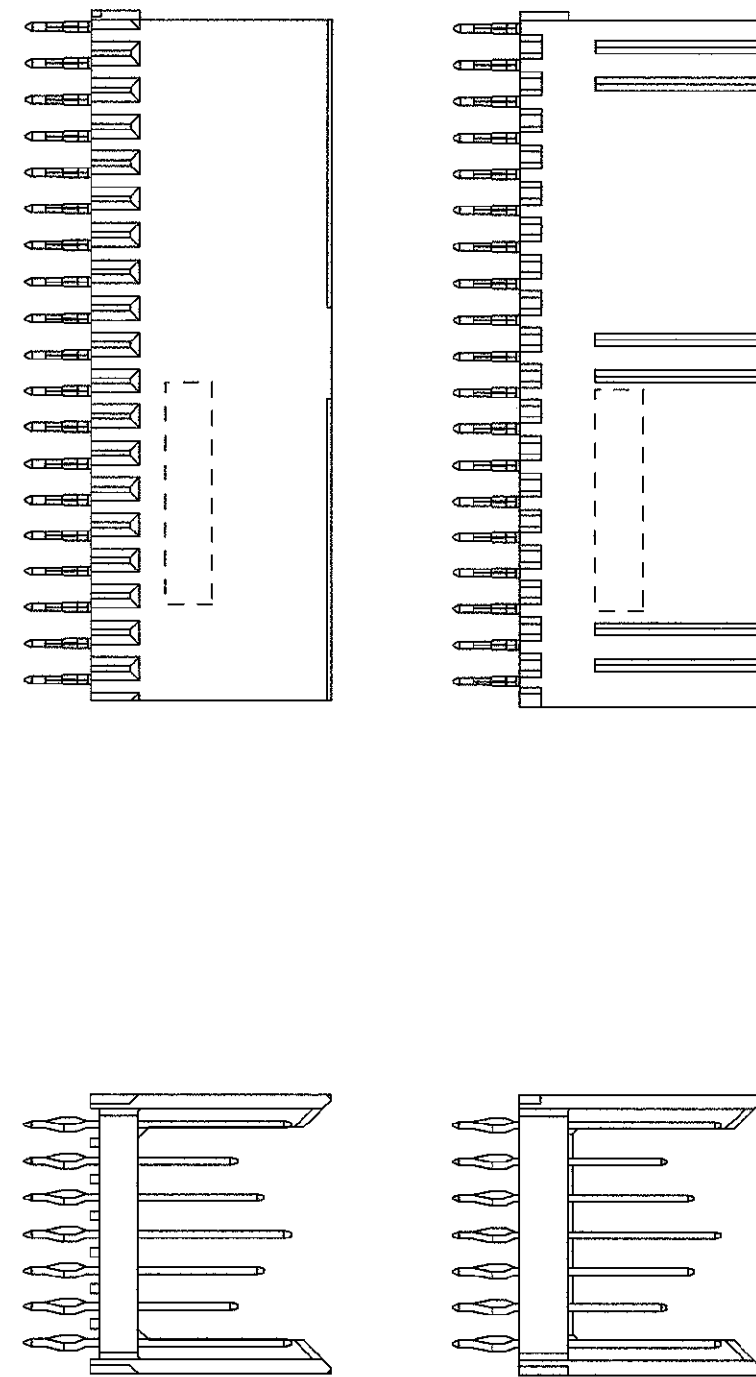
CONNECTOR ASSEMBLY

EXEMPLARY LOADED \triangle \triangle



CONNECTOR APPEARANCES

POSSIBLE VERSIONS \triangle \triangle



CONTACT LAYOUT

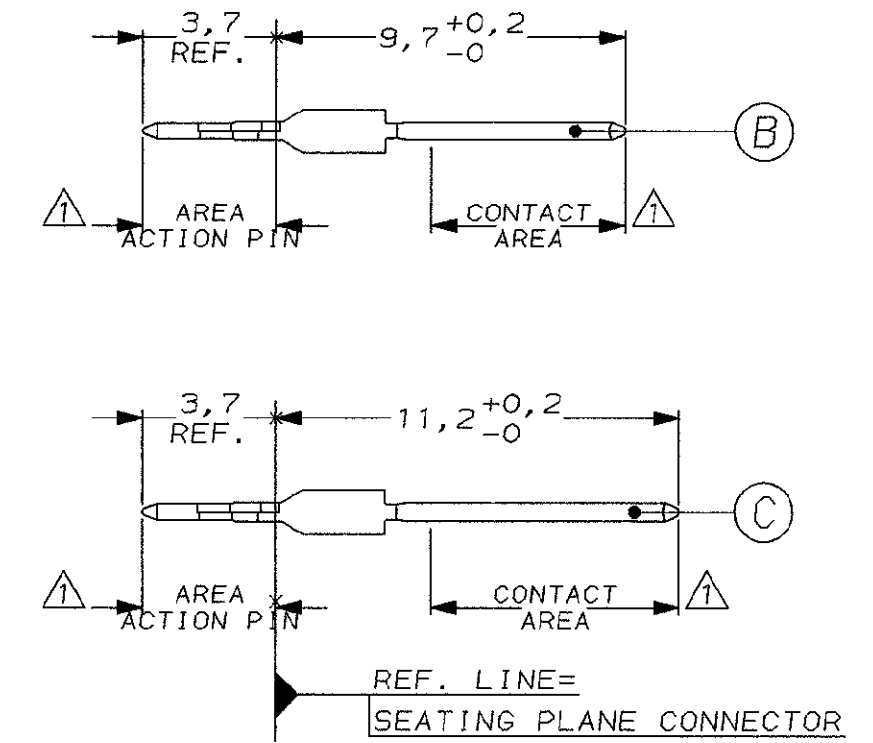
| | | | | | | | |
|----|---|---|---|---|---|---|---|
| | z | a | b | c | d | e | f |
| 1 | C | B | B | B | B | B | C |
| 2 | C | B | B | B | B | B | C |
| 3 | C | B | B | B | B | B | C |
| 4 | C | B | B | B | B | B | C |
| 5 | C | B | B | B | B | B | C |
| 6 | C | B | B | B | B | B | C |
| 7 | C | B | B | B | B | B | C |
| 8 | C | B | B | B | B | B | C |
| 9 | C | B | B | B | B | B | C |
| 10 | C | B | B | B | B | B | C |
| 11 | C | B | B | B | B | B | C |
| 12 | C | B | B | B | B | B | C |
| 13 | C | B | B | B | B | B | C |
| 14 | C | B | B | B | B | B | C |
| 15 | C | B | B | B | B | B | C |
| 16 | C | B | B | B | B | B | C |
| 17 | C | B | B | B | B | B | C |
| 18 | C | B | B | B | B | B | C |
| 19 | C | B | B | B | B | B | C |

DO NOT SCALE
DIMENSIONS IN mm

METRIC

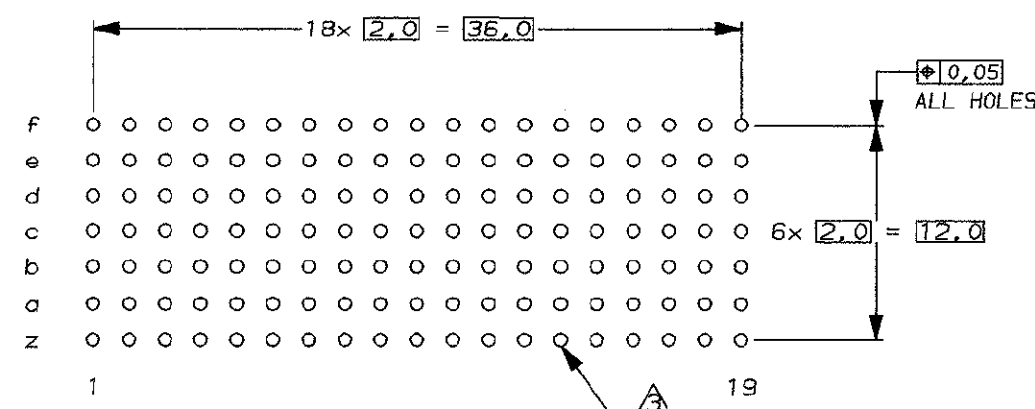
THIRD ANGLE
PROJECTION

CONTACT DIMENSIONS



NOTES:

- \triangle MATERIAL CONTACT: PHOSPHORBRONZE. MATERIAL HOUSING: GREY GLASSFILLED POLYESTER. UL-RATING 94V0.
- \triangle CONNECTOR MARKED WITH PARTNUMBER AND DATE CODE.
- \triangle PLATED-THROUGH HOLES AT 2x2mm SQUARE GRID, TOTAL 133 HOLES.
- \triangle FOR ACTUAL PIN LOADING SEE "CONTACT LAYOUT".
- \triangle THE APPEARANCE OF THE CONNECTOR CAN BE DIFFERENT SEE "CONNECTOR APPEARANCES; POSSIBLE VARIANTS".



RECOMMENDED PCB-HOLE LAY-OUT
COMPONENT SIDE SHOWN

| | |
|-----------------------------|------------------|
| P.C.B. HOLE DIM. ACTION PIN | |
| DRILLED HOLE: | 0,7 ± 0,025mm |
| FIN. HOLE : | 0,55 TO 0,65mm |
| Cu-thks : | 0,025 TO 0,050mm |
| SnPb-thks : | 0,004 TO 0,010mm |

| | | | | | |
|---|-----------------------|-----------------------|--------------------------|--------------------------|--|
| 352033-1 | 1,27 | 0,76 | 0,5-2,5 | NO | \triangle |
| PART NUMBER | UNDER-COATING | CONTACT AREA | ACTION-PIN AREA | CONSERVATION TREATMENT | |
| | $\mu\text{m Ni MIN.}$ | $\mu\text{m Au MIN.}$ | $\mu\text{m Sn/Pb}$ | | |
| FINISH | | | | MATERIAL | |
| CUSTOMER DRAWING FOR REFERENCE ONLY WILL NOT BE UPDATED | | | | | |
| E | EH-0156-00 | HHO | LvdR | 13 JUN 00 | © COPYRIGHT 1996 BY AMP HOLLAND B.V. ALL INTERNATIONAL RIGHTS RESERVED. AMP PRODUCTS MAY BE COVERED BY U.S. AND FOREIGN AND/OR PATENTS PENDING. THIS DRAWING IS UNPUBLISHED RELEASED FOR PUBLICATION |
| D | EH-0974-97 | LvdH | FvK | 8 SEP '97 | |
| C | EH-0827-97 | LvdH | FvK | 23 JUN '97 | |
| B | EH-0196-96 | EM | FvK | 28-JAN-97 | |
| A | EH-0196-96 | DT | FvK | 05-DEC-96 | |
| O | EH-0196-96 | DT | FvK | 01-MAY-96 | |
| LTR. | REVISION RECORD | DR. | CHK. | DATE | |
| DR. : D. TRUREN | | CHK. : L.V.D.REE | | APP. : F.v.KONINGSBRUGGE | |
| DATE: 22-JAN-99 | | DATE: 22-JAN-99 | | DATE: - | |
| DWG. No. C-352033 | | | REV. LTR. SHEET E 1 OF 1 | | |