

GSX A 0 1 A 1 A - 1

CONDUIT OPENING	
CODE	DESCRIPTION
A	1/2" NPT
B	PG 13.5
C	20 MM
D	PF 1/2

BASIC SWITCH	
CODE	DESCRIPTION
01	SNAP ACTION, 1 NC - 1 NO
03	SLOW ACTION, 1 NC - 1NO, BREAK BEFORE MAKE
04	SLOW ACTION, 1 NC - 1NO, MAKE BEFORE BREAK
05	SLOW ACTION, 2 NO
06	SLOW ACTION, 2 NC
07	SNAP ACTION, 1 NC - 1 NO, GOLD
20	SNAP ACTION, 2 NC - 2 NO
22	SNAP ACTION, 2 NC - 2 NO, GOLD
33	SLOW ACTION, 1 NC - 1 NO, BREAK BEFORE MAKE, GOLD
34	SLOW ACTION, 1 NC - 1 NO, MAKE BEFORE BREAK, GOLD
35	SLOW ACTION, 2 NO, GOLD
36	SLOW ACTION, 2 NC, GOLD
40	SLOW ACTION, 4 NC
41	SLOW ACTION, 4 NC, GOLD
42	SLOW ACTION, 2 NC - 1 NO, BREAK BEFORE MAKE
43	SLOW ACTION, 2 NC - 1 NO, BREAK BEFORE MAKE, GOLD
44	SLOW ACTION, 2 NC - 2 NO, BREAK BEFORE MAKE
45	SLOW ACTION, 2 NC - 2 NO, BREAK BEFORE MAKE, GOLD
46	SLOW ACTION, 3 NC - 1 NO, BREAK BEFORE MAKE
47	SLOW ACTION, 3 NC - 1 NO, BREAK BEFORE MAKE, GOLD

HEAD	
CODE	DESCRIPTION
A	SIDE ROTARY MOMENTARY
B	TOP PIN PLUNGER
C	TOP ROLLER PLUNGER
D	TOP ROLLER LEVER
M	KEY OPERATION
N	CABLE PULL MAINTAINED
P	CABLE PULL MOMENTARY
Q	CABLE PULL MAINTAINED W/BROKEN CABLE DETECTION

HEAD CODE RESTRICTIONS:  
 - HEAD CODE A USES MODIFICATION CODES 1, 2, 3, 4 & 5  
 - UNITS WITH HEAD CODES B, C, D, N, P & Q DO NOT USE ACTUATOR CODE.

ACTUATOR	
CODE	DESCRIPTION
1	STD. FIXED LENGTH ROLLER
3	YOKE ROLLER
5	OFFSET ROLLER
6	STRAIGHT KEY
7	90° KEY
8	UP-DOWN SPRING LOADED KEY
9	SIDE-SIDE SPRING LOADED KEY
X	NO KEY

ACTUATOR CODE RESTRICTIONS:  
 - ACTUATOR CODES 1, 3, & 5 USED WITH HEAD CODE A ONLY.  
 - ACTUATOR CODES 6, 7, 8, 9 & X USED WITH HEAD CODE M ONLY.  
 - ACTUATOR & MODIFICATION CODES DO NOT HAVE TO BE USED (UNLESS OTHERWISE NOTED ABOVE), BUT MODIFICATION CODE CAN BE USED WITHOUT ACTUATOR CODE. IN THAT CASE, THE "DASH" FOLLOWS THE HEAD CODE, FOLLOWED BY THE MODIFICATION CODE. IF NEITHER ACTUATOR OR MODIFICATION CODE IS USED, CATALOG LISTING ENDS WITH A HEAD CODE.

ROLLER	
CODE	DESCRIPTION
A	19 X 6.35 (3/4 X 1/4) NYLON ROLLER
C	25.4 X 12.7 (1 X 1/2) NYLON ROLLER
D	38.1 X 6.35 (1 1/2 X 1/4) NYLON ROLLER
E	19 X 6.35 (3/4 X 1/4) BRONZE ROLLER
W	40 X 12.7 (1 1/2 X 1/2) RUBBER ROLLER
Y	50.9 X 12.7 (2 X 1/2) RUBBER ROLLER

MODIFICATIONS/ SPECIALS	
CODE	DESCRIPTION
1	CLOCKWISE ROTATION
2	COUNTER CLOCKWISE ROTATION
3	HEAD ASSEMBLED WITH ACTUATOR/ KEY OPENING TO RIGHT SIDE
4	HEAD ASSEMBLED WITH ACTUATOR/ KEY OPENING TO LEFT SIDE
5	HEAD ASSEMBLED WITH ACTUATOR/ KEY OPENING TO MOUNTING SURFACE
6	ROLLER PERPENDICULAR TO MOUNTING SURFACE
C	PRE-LEAD CABLE
Q	CONNECTOR

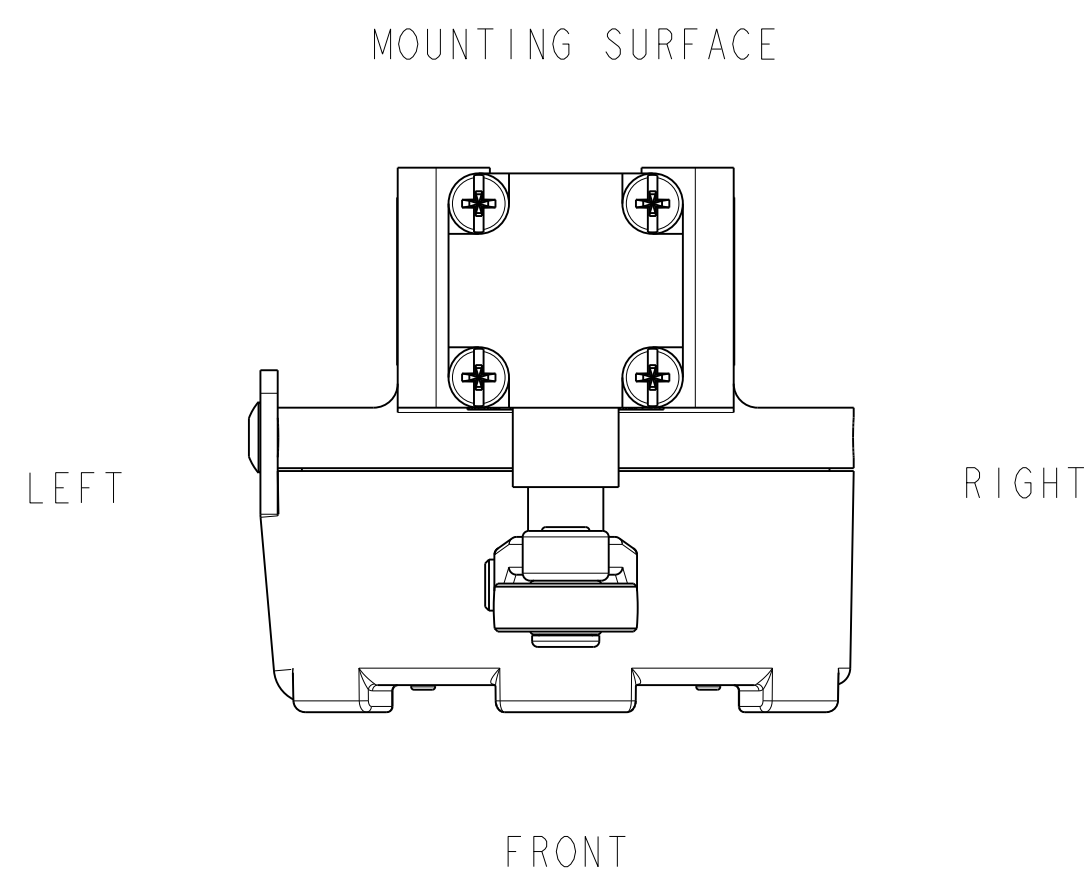
- HEAD CODE A STANDARD ROTATION IS CLOCKWISE AND COUNTER CLOCKWISE ROTATION  
 - STANDARD ORIENTATION IS HEAD ASSEMBLED WITH ACTUATOR TOWARD FRONT  
 - HEAD CODE D STANDARD HEAD ORIENTATION: ROLLER TO LEFT - HINGE TO RIGHT  
 - HEAD CODE D MODIFICATION CODE 5 HEAD ORIENTATION: ROLLER TO FRONT - HINGE TO REAR.  
 - HEAD CODE D MODIFICATION CODE 6 HEAD ORIENTATION: ROLLER TO REAR - HINGE TO FRONT.  
 - HEAD CODE D MODIFICATION CODE 4 HEAD ORIENTATION: ROLLER TO RIGHT - HINGE TO LEFT

ELECTRICAL RATING				ENVIRONMENTAL RATING		APPROVALS
AC		DC		IP 67		UL 508 LISTED
A600	AC15	Q300	DC13	NEMA 1, 3, 4, 12 AND 13		IEC 60947-5-1
Ue	Ie	Ue	Ie	NEMA TYPE 7, CLASS I FLAMABLE GASES OR VAPORS - GROUP B, C, D		LOW VOLTAGE DIRECTIVE LVD EN60947-1, EN60947-5-1
(VOLTS)	(AMPS)	(VOLTS)	(AMPS)	NEMA TYPE 9, CLASS II COMBUSTABLE DUSTS - GROUP E, F, G		SIRA 08ATEX1073X IECEX SIR 08.0021X
120	6	24	2.8	Ex d IIC T6 ta -40°C TO +70°C Gb / Ex t IIIC T85°C Db		
240	3	125	.55			
380	1.9	250	.27			
480	1.5					
500	1.4					
600	1.2					

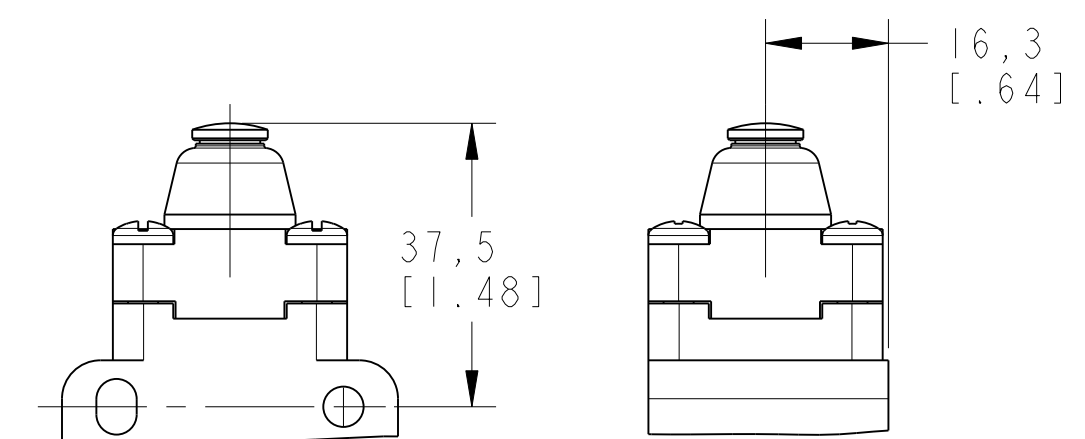
- NOTES
- CONSTRUCTED IN ACCORDANCE WITH EN-50014/EN-50016 GROUP II C.
  - EXPLOSION PROOF-UNDERWRITERS LAB INC. LISTED FOR HAZARDOUS LOCATIONS CLASS I, GROUPS B, C AND D; CLASS II GROUPS E, F, AND G.
  - APPROVED DRAWING. NO MODIFICATIONS PERMITTED WITHOUT PRIOR APPROVAL FROM CERTIFICATION BODY.
  - T-15 TAMPER PROOF TORX DRIVER BIT PROVIDED.
  - HEAD MAY BE INDEXED IN 90° INCREMENTS.
  - LEVERS MAY BE KEYED TO THE SHAFT AT 90° INCREMENTS. THEY MAY ALSO BE ATTACHED, BUT NOT KEYED ANYWHERE ON THE SHAFT.
- △ - FREE POSITION, OPERATE POINT, OVERTRAVEL AND PRETRAVEL ALL TO EN50041.  
 ⊠ - THE MAXIMUM VOLTAGE, Ve OF "06" AND "36" BASIC SWITCH CODE IS 500V (A500).

- THE FOLLOWING APPLY TO KEY OP VERSIONS ONLY (HEAD CODE M):
- MINIMUM OPERATING VELOCITY = 10 MM/2  
 MAXIMUM OPERATING VELOCITY = 1 M/2  
 MAXIMUM OPERATING FREQUENCY = 100 OPS/MIN
  - INSERTION FORCE = 35 N NOMINAL  
 EXTRACTION FORCE = 28 N NOMINAL
  - WHEN KEY IS INSERTED: N.C. TERMINALS ARE 11/12, 21/22, 31/32 AND/OR 41/42  
 N.O. TERMINALS ARE 13/14, 23/24, 33/34 AND/OR 43/44
- △ - SWITCH MUST OPERATE BEFORE REACHING MINIMUM INSERTION DISTANCE

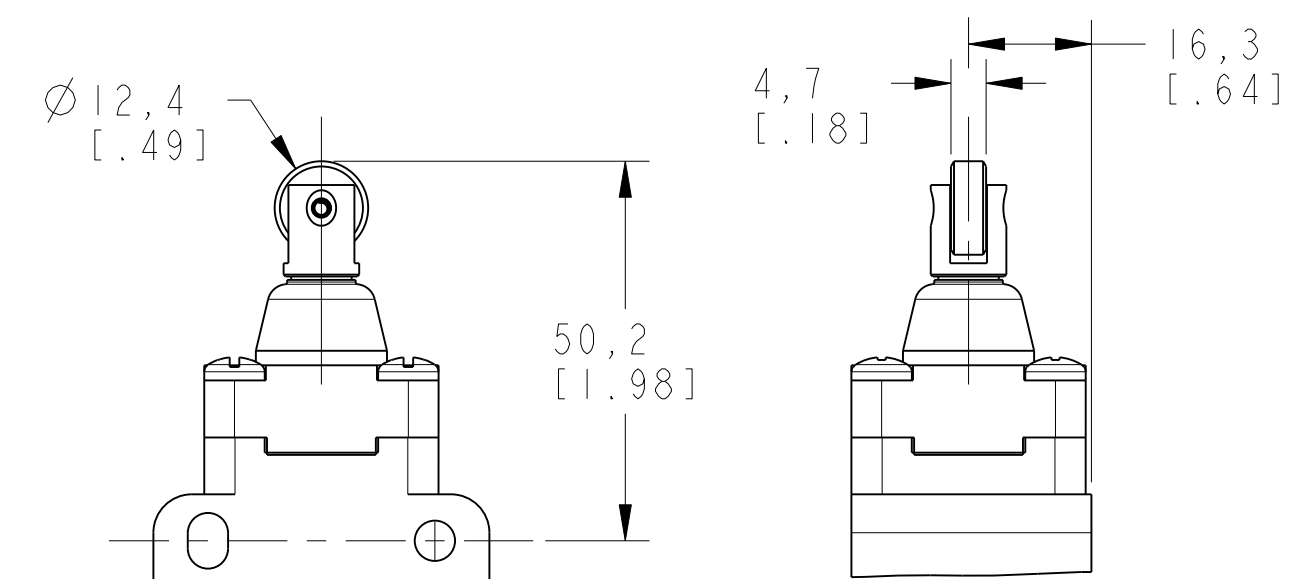
DESIGN UNITS: MM TOLERANCES UNLESS NOTED:	DRAWN SJS 10 JAN 08 CHECK SS 10 JAN 08		
NO PLACES .x ± 1.000 ONE PLACE .X ± 0.400 TWO PLACE .xx ± 0.150 THREE PLACE .xxx ± 0.005 ANGLES X ± 3.0°	THIS DRAWING COVERS A PROPRIETARY ITEM AND IS THE PROPERTY OF HONEYWELL. THIS DRAWING IS NOT TO BE COPIED OR USED WITHOUT THE PERMISSION OF HONEYWELL.		
THIRD ANGLE PROJECTION	INTERPRET PER ASME Y14.5M-1994 OTHER HONEYWELL ENGINEERING STANDARDS MAY APPLY.	SIZE TYPE CAGE CODE DRAWING NAME <b>D I - GSX SERIES CHART 1</b>	REV <b>B</b>
	Pro/ENGINEER 3D SCALE 1:1	SHEET 1 OF 6	



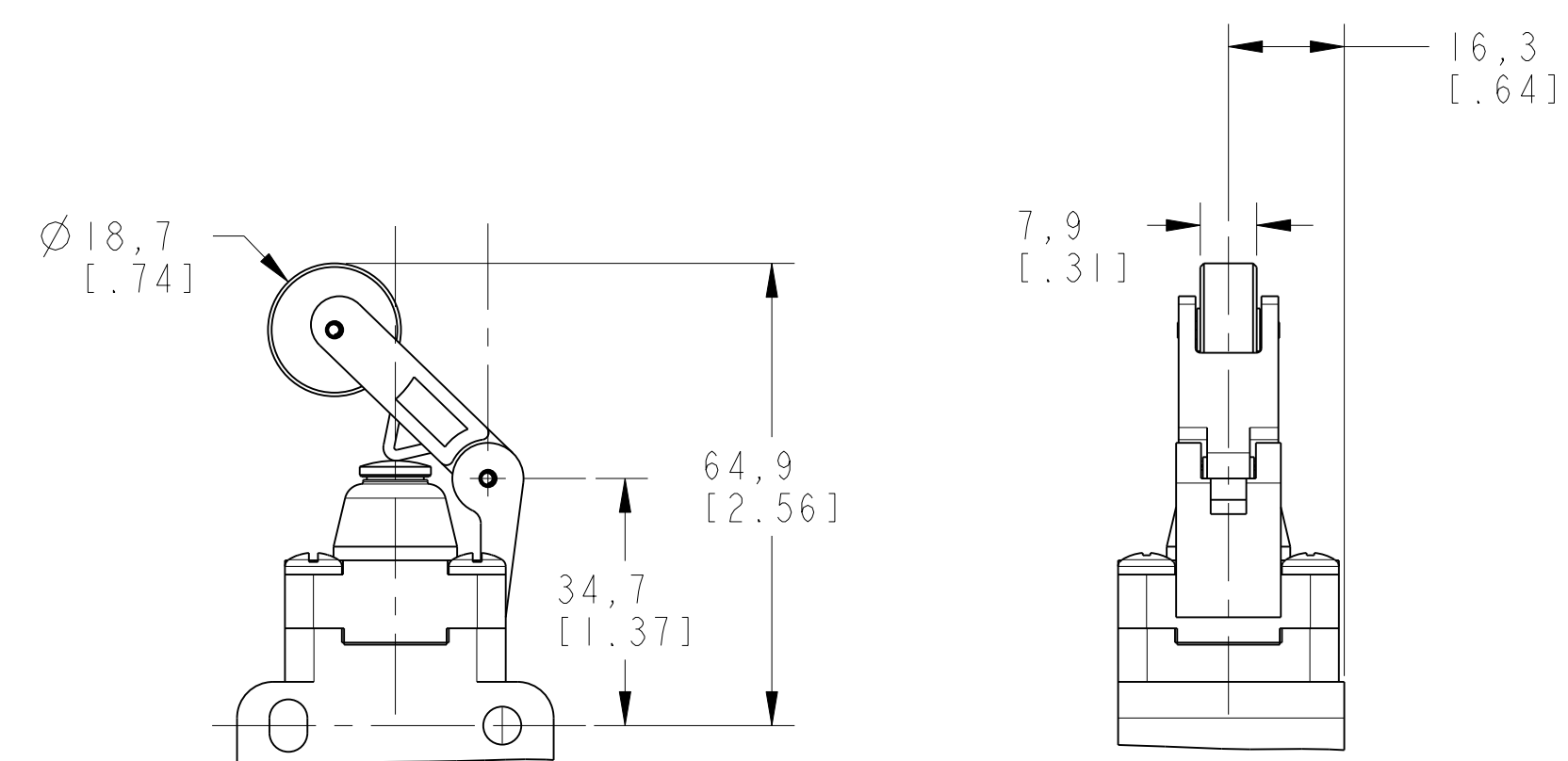
ACTUATOR CODE	LEVER	ROLLER MATL	"X" DIM Ø	"Y" DIM	("Z") DIM WIDTH
1A	GLZ51A	NYLON	19,0 [ .75]	55,9 [ 2.20]	6,4 [ .25]
1C	GLZ51C	NYLON	25,4 [ 1.00]	59,2 [ 2.33]	12,7 [ .50]
1D		NYLON	38,1 [ 1.50]	55,9 [ 2.20]	6,4 [ .25]
1E	GLZ51D	BRONZE	19,0 [ .75]	55,9 [ 2.20]	6,4 [ .25]
1W		RUBBER	38,1 [ 1.50]	59,2 [ 2.33]	12,7 [ .50]
1Y	GLZ51Y	RUBBER	50,0 [ 1.97]	57,7 [ 2.27]	9,9 [ .39]
3A	GLZ53A	NYLON	19,0 [ .75]	55,9 [ 2.20]	6,4 [ .25]
3C		NYLON	25,4 [ 1.00]	59,2 [ 2.33]	12,7 [ .50]
3D		NYLON	38,1 [ 1.50]	55,9 [ 2.20]	6,4 [ .25]
3E	GLZ53C	BRONZE	50,0 [ 1.97]	55,9 [ 2.20]	6,4 [ .25]
3W		RUBBER	38,1 [ 1.50]	59,2 [ 2.33]	12,7 [ .50]
3Y		RUBBER	50,0 [ 1.97]	57,7 [ 2.27]	9,9 [ .39]
5A	GLZ55A	NYLON	50,0 [ 1.97]	55,9 [ 2.20]	6,4 [ .25]
5C		NYLON	25,4 [ 1.00]	59,2 [ 2.33]	12,7 [ .50]
5D		NYLON	38,1 [ 1.50]	55,9 [ 2.20]	6,4 [ .25]
5E	GLZ55C	BRONZE	50,0 [ 1.97]	55,9 [ 2.20]	6,4 [ .25]
5W		RUBBER	38,1 [ 1.50]	59,2 [ 2.33]	12,7 [ .50]
5Y		RUBBER	50,0 [ 1.97]	57,7 [ 2.27]	9,9 [ .39]



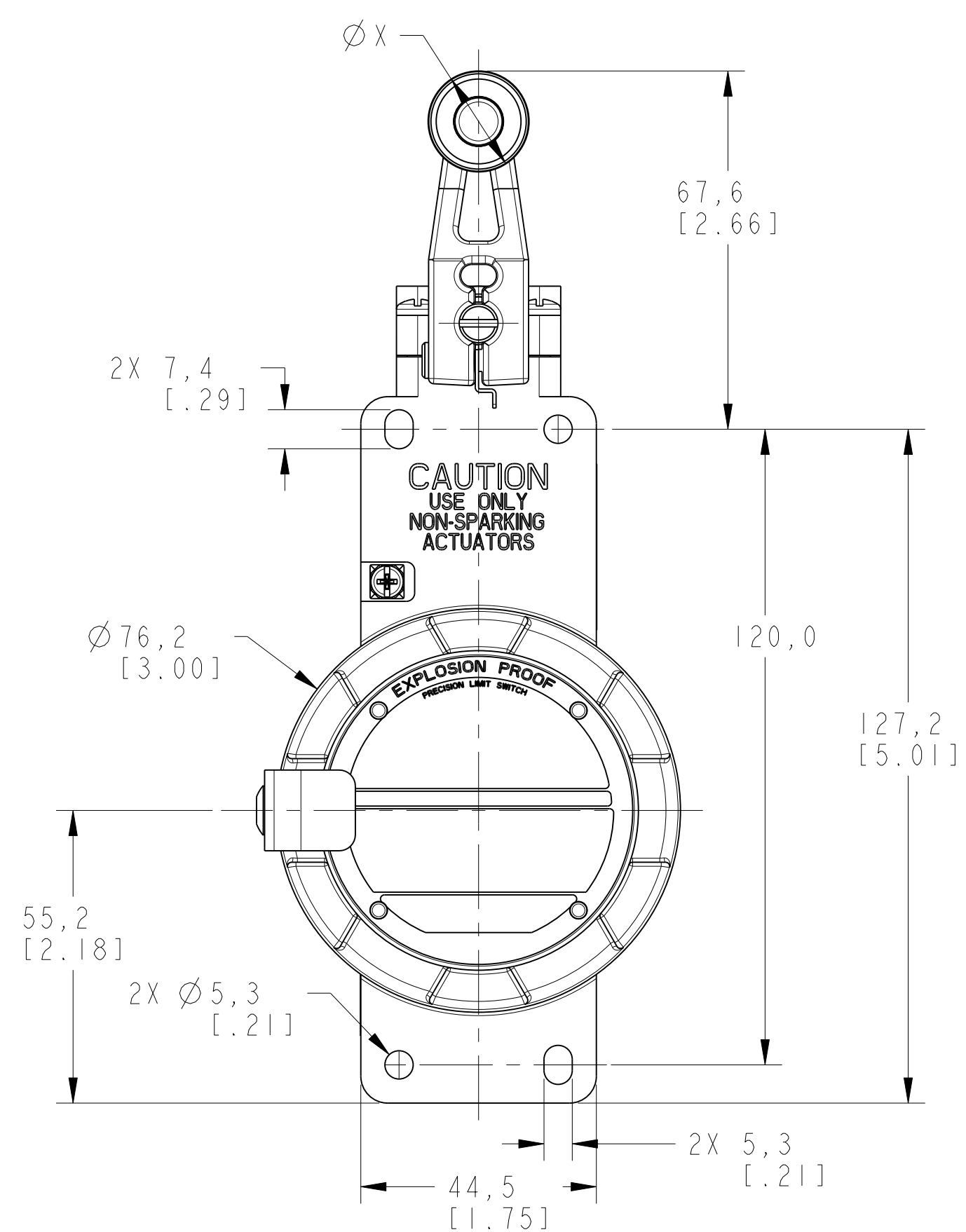
HEAD CODE B  
TOP PIN PLUNGER HEAD



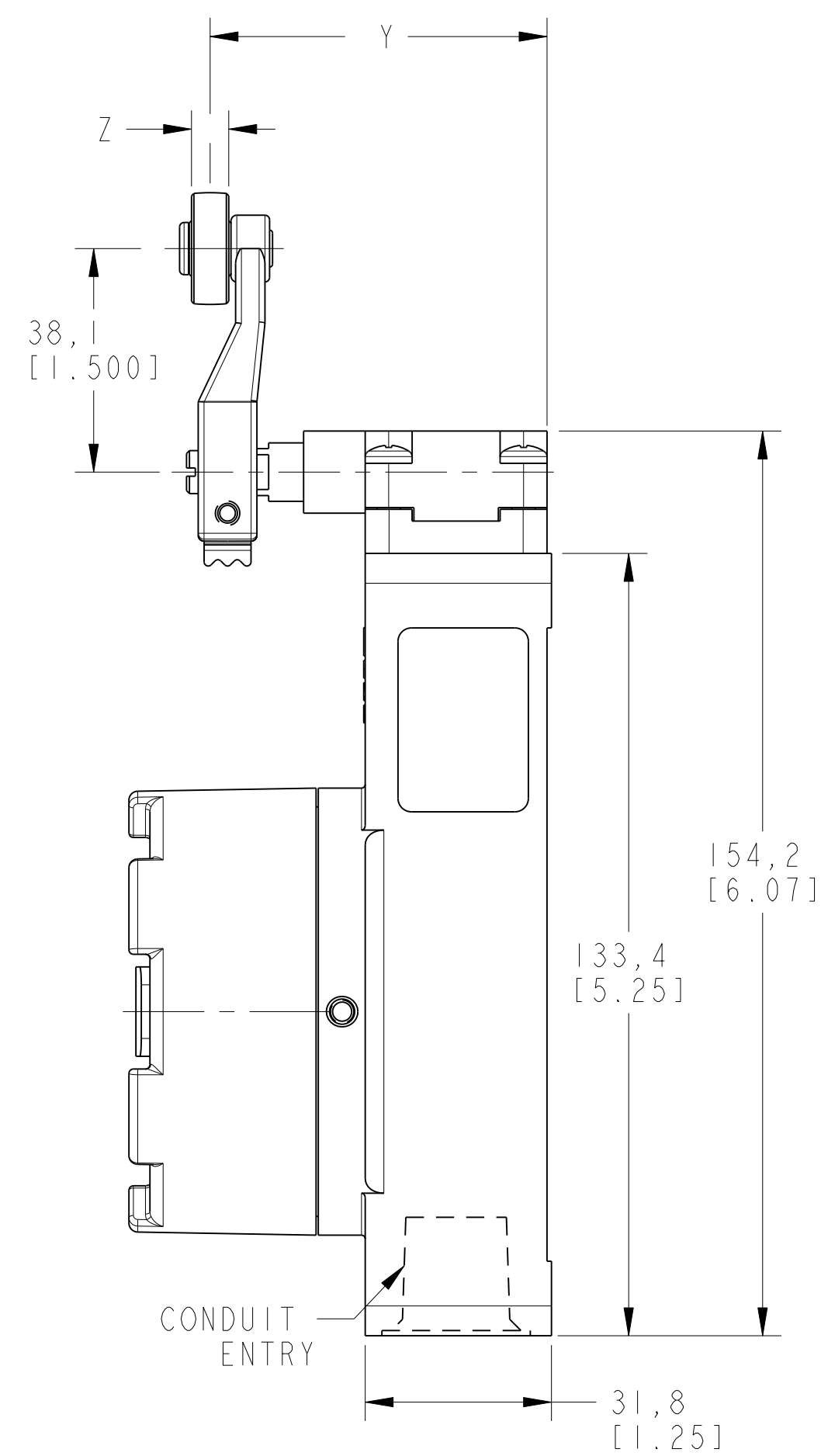
HEAD CODE C  
TOP ROLLER PLUNGER HEAD



HEAD CODE D  
TOP ROLLER LEVER HEAD



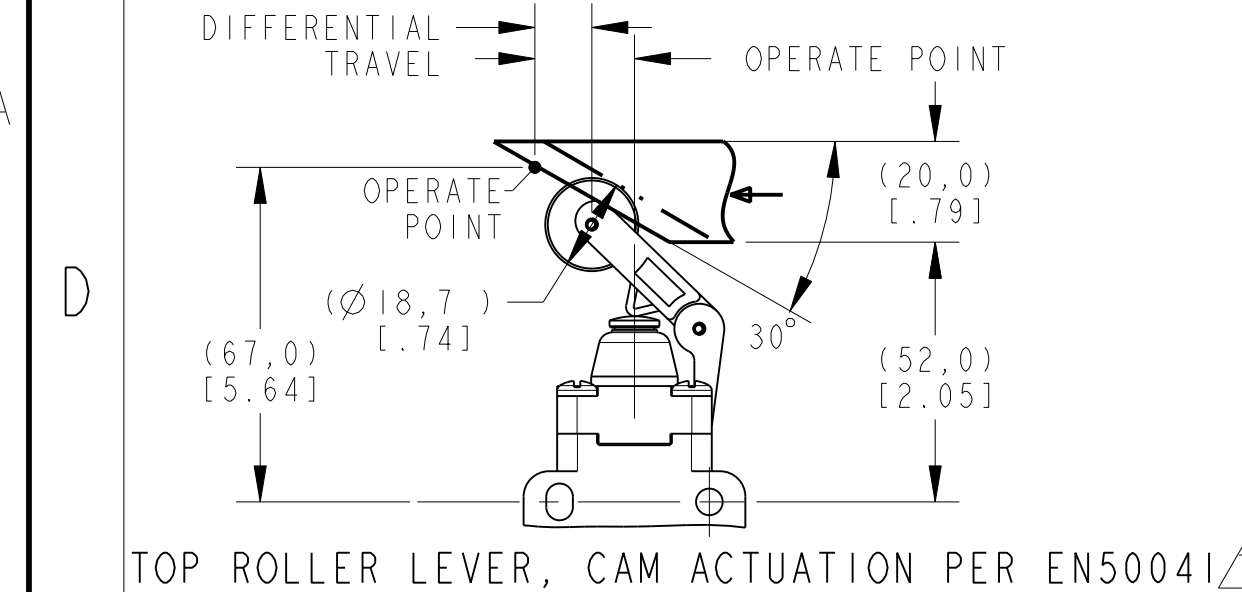
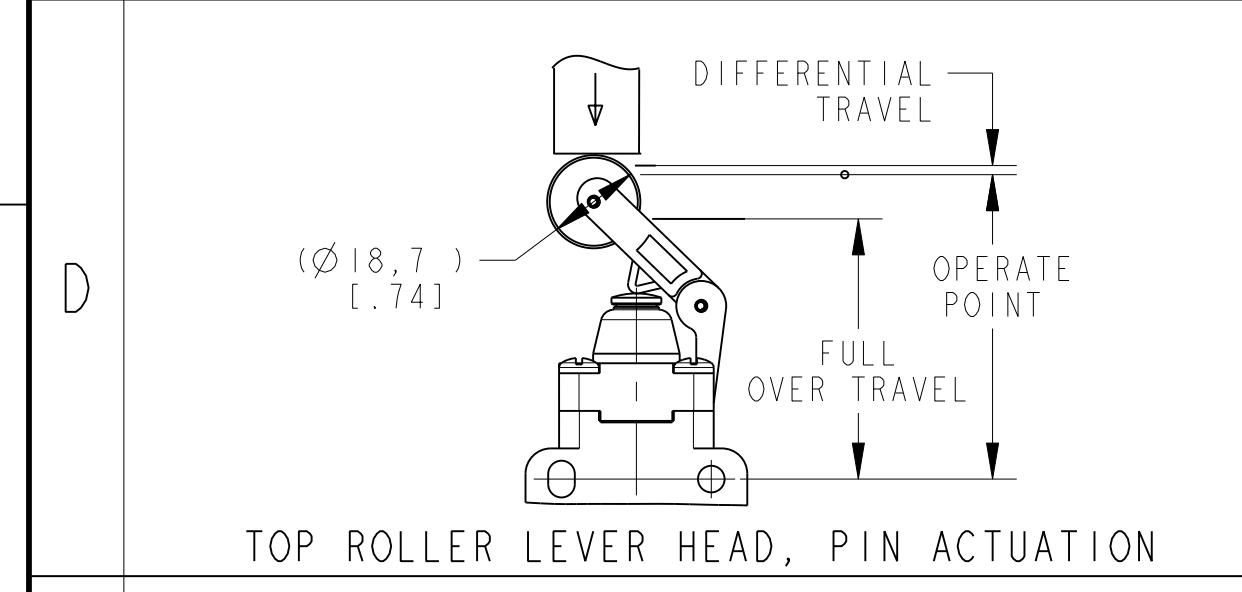
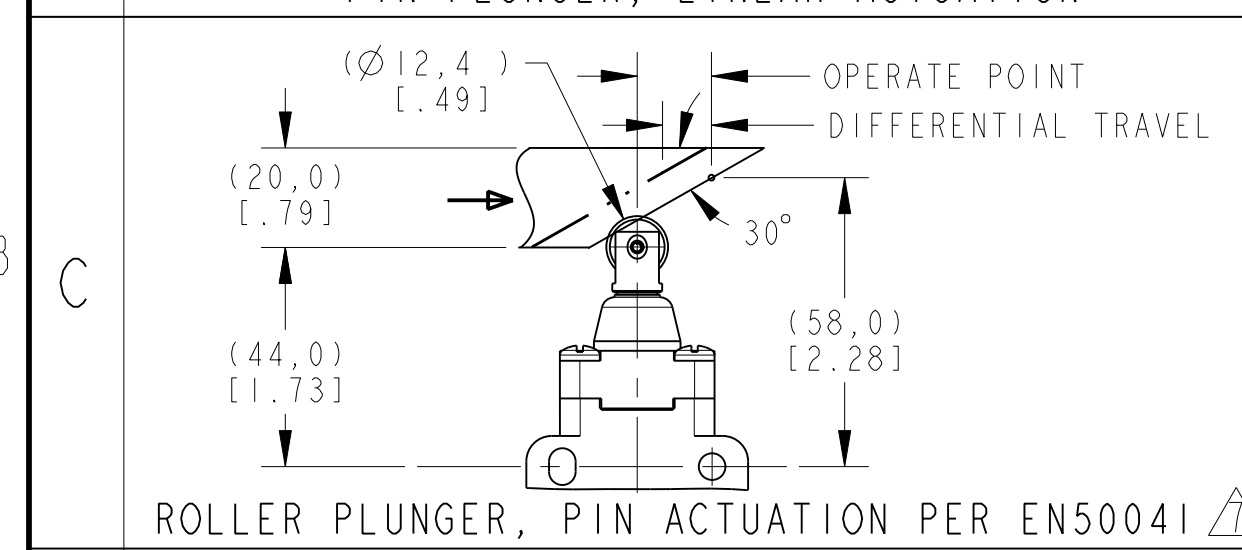
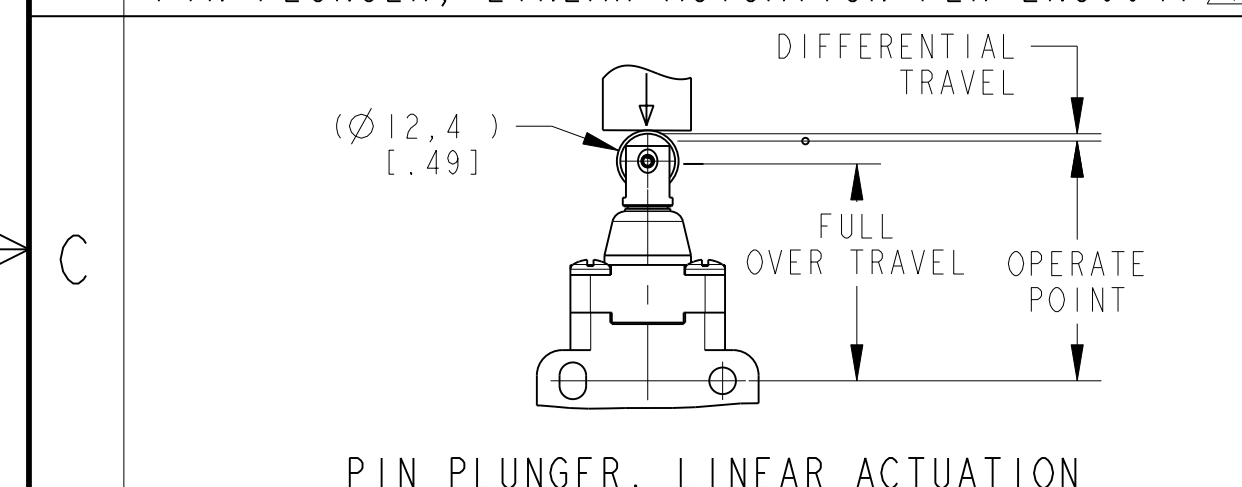
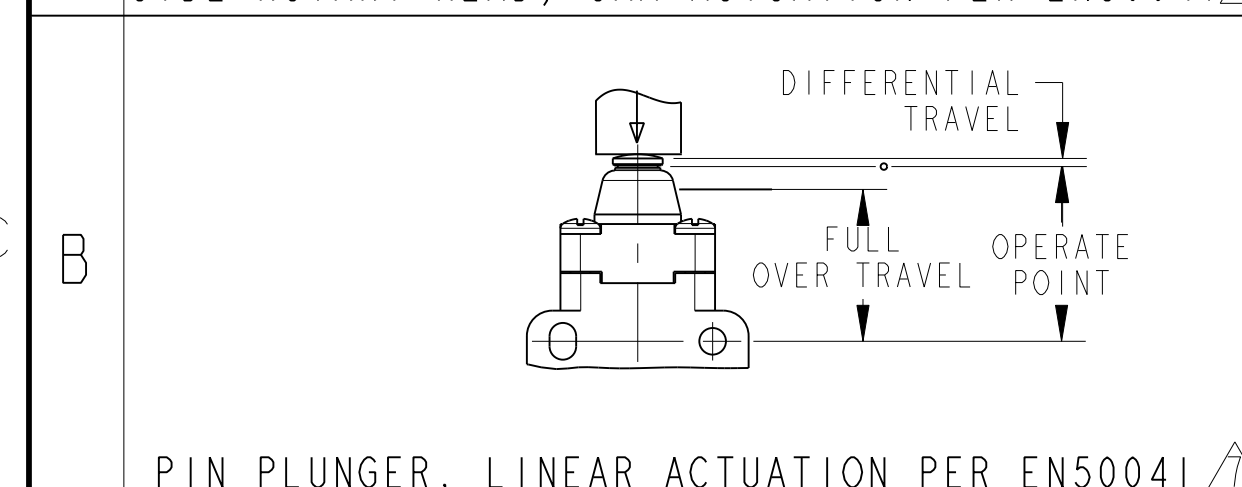
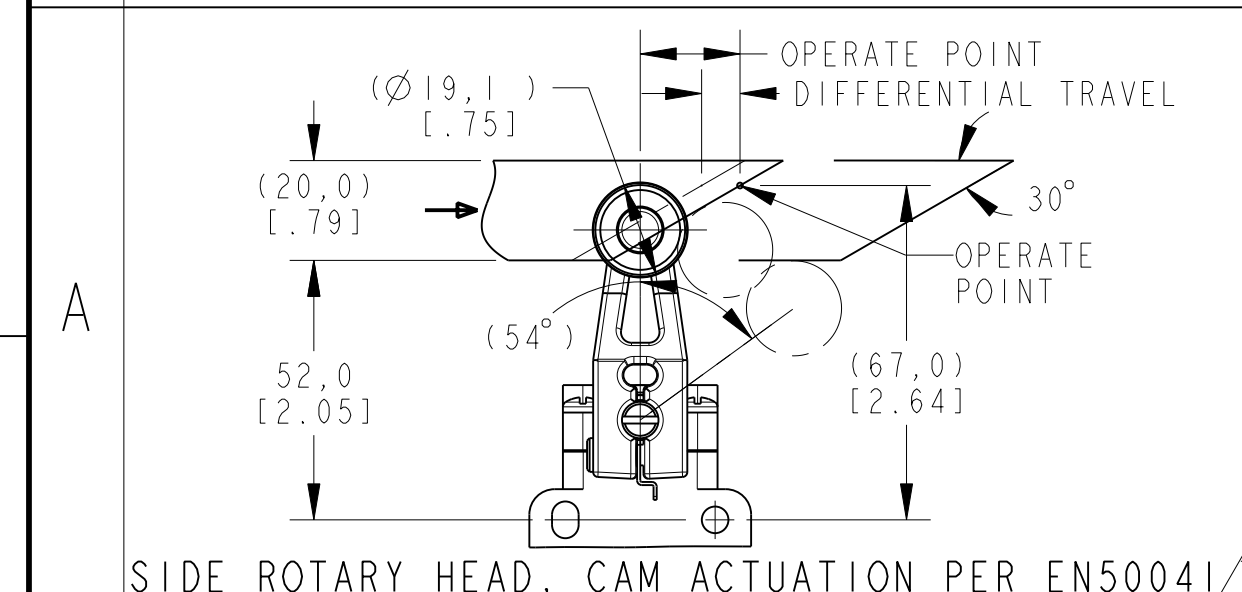
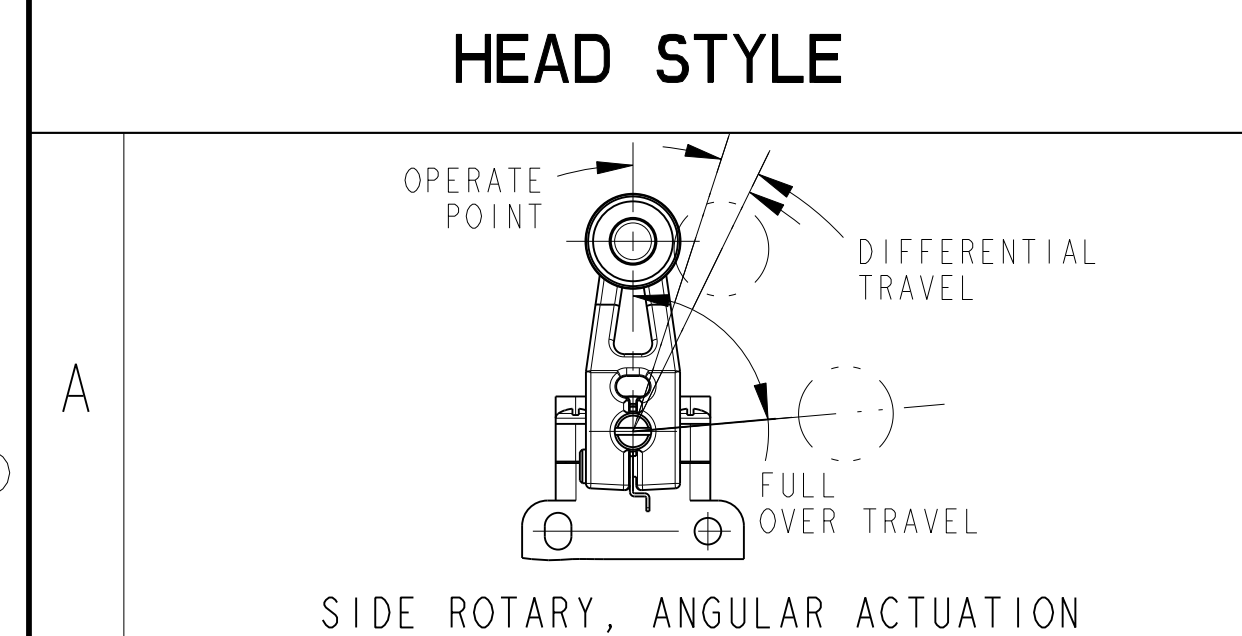
HEAD CODE A  
SIDE ROTARY HEAD WITH GLZ51 SERIES LEVER



THIS DRAWING COVERS A PROPRIETARY ITEM AND IS THE PROPERTY OF HONEYWELL. THIS DRAWING IS NOT TO BE COPIED OR USED WITHOUT THE PERMISSION OF HONEYWELL.

**Honeywell**

SIZE	TYPE	CAGE CODE	DRAWING NAME	REV
D	I	-	GSX SERIES CHART 1	B
SCALE 1:1				SHEET 2 OF 6



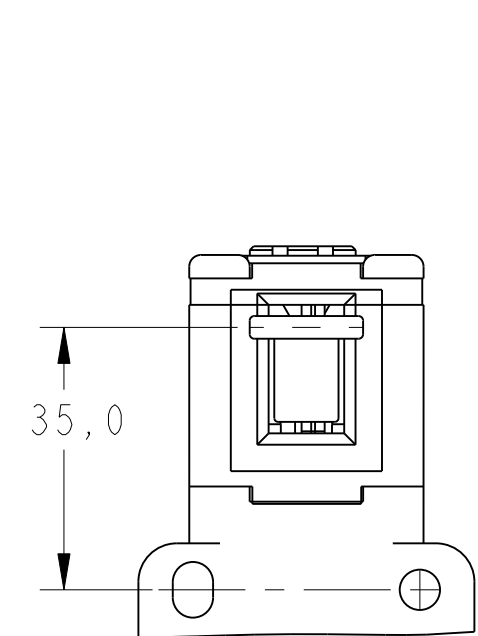
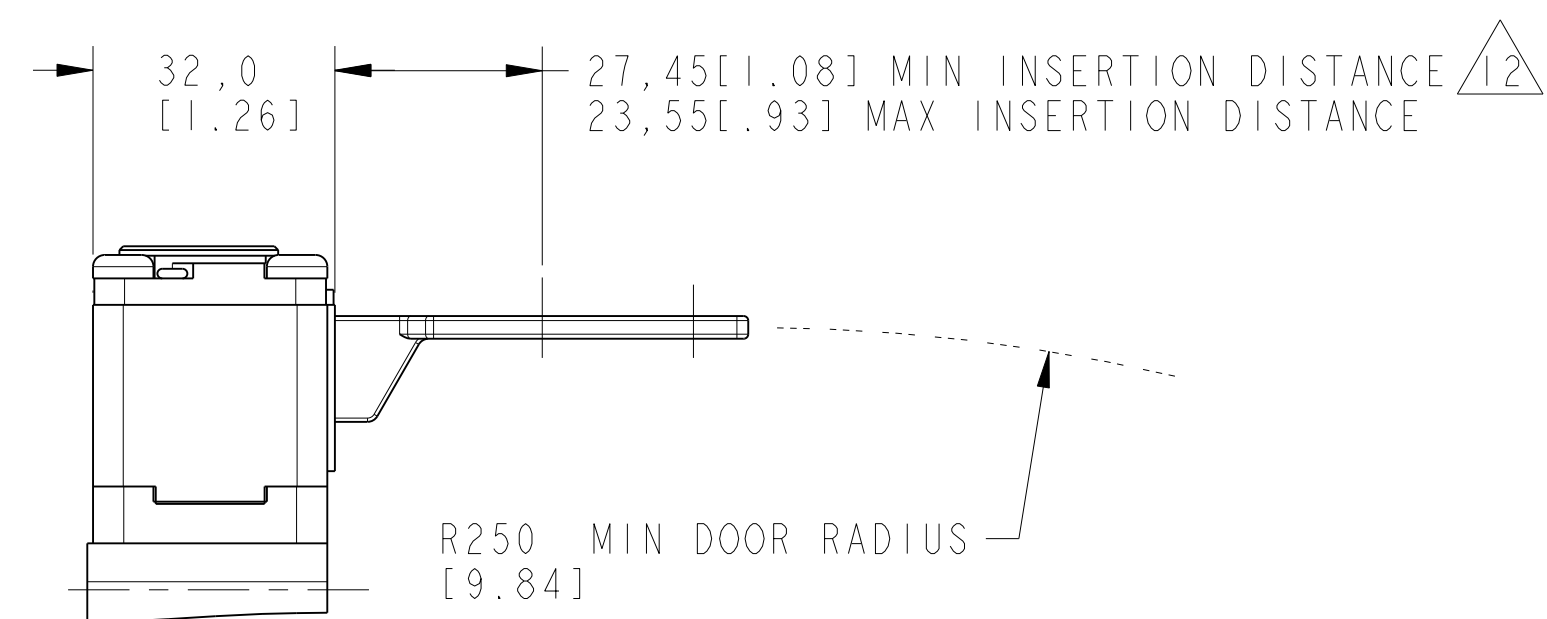
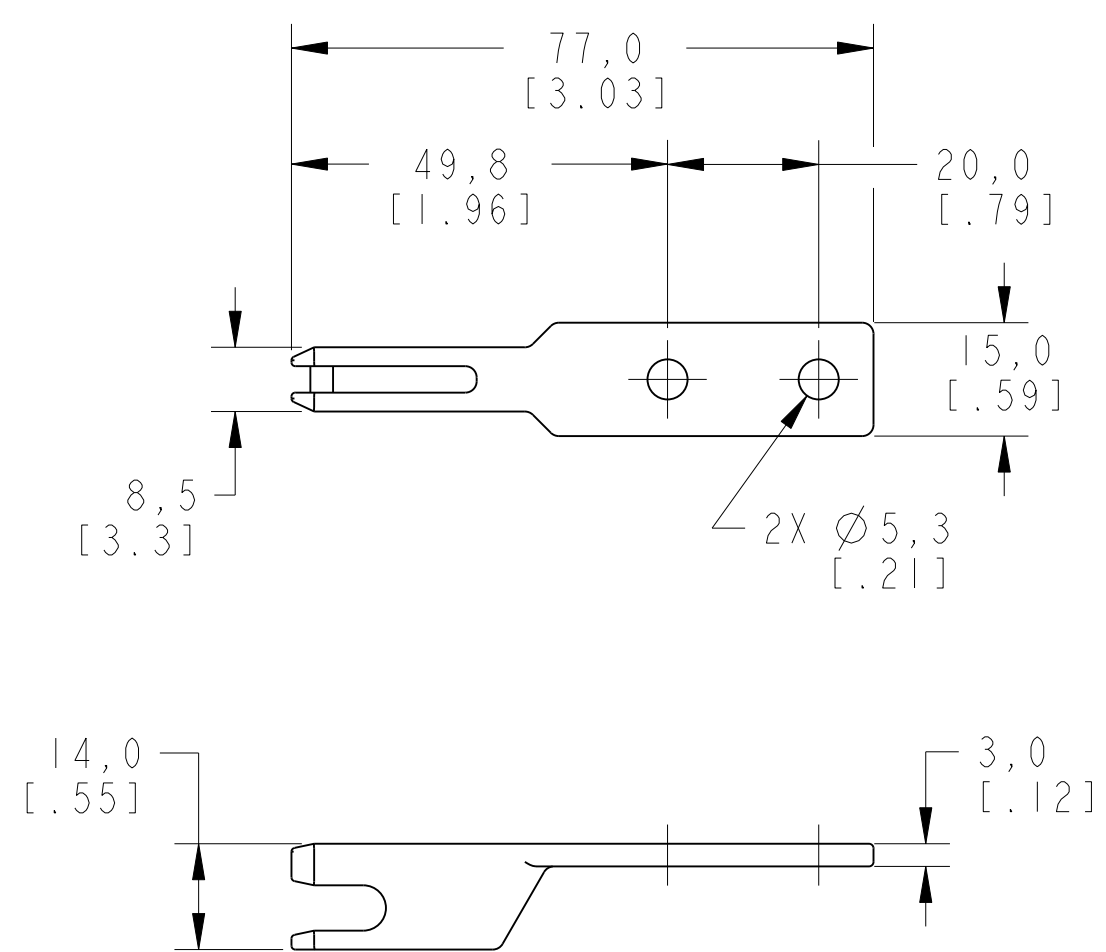
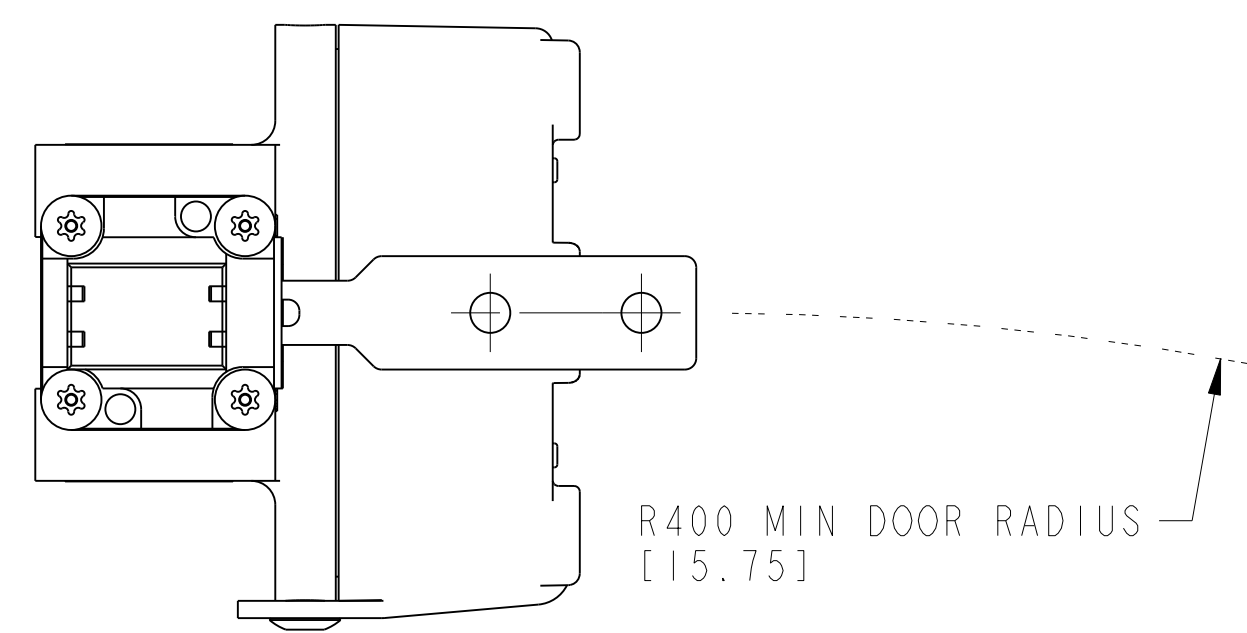
CATALOG LISTING	FP FREE POSITION mm[in]	OP1 OPERATE POINT NC CONTACTS mm[in]	OP2 OPERATE POINT NO CONTACTS mm[in]	DT DIFFERENTIAL TRAVEL mm[in]	FOT FULL OVER TRAVEL	POSITIVE BREAK TO IEC 947-5-1 mm[in]	MAX OPERATE TORQUE/FORCE N·m[lb·in] / N[lb]	MAX DISCONNECT TORQUE/FORCE N·m[lb·in] / N[lb]	MAX OPERATE VELOCITY m/s [in/s]	MIN OPERATE VELOCITY m/s [in/s]	MAX OPERATE FREQUENCY OPS/MIN
GSX*01A	0*	26*	26*	12*	85*	55*	0,3 [2.6]	0,4 [3.5]	1290 */SEC	13 */SEC	250
GSX*03A	0*	26*	38*	N/A	85*	26*	0,3 [2.6]	0,4 [3.5]	1290 */SEC	13 */SEC	250
GSX*04A	0*	38*	26*	N/A	85*	38*	0,3 [2.6]	0,4 [3.5]	1290 */SEC	13 */SEC	250
GSX*05A	0*	N/A*	38*	N/A	85*	N/A	0,3 [2.6]	0,4 [3.5]	1290 */SEC	13 */SEC	250
GSX*06A	0*	26*	N/A	N/A	85*	26*	0,3 [2.6]	0,4 [3.5]	1290 */SEC	13 */SEC	250
GSX*20A	0*	26*	26*	12*	85*	55*	0,3 [2.6]	0,4 [3.5]	1290 */SEC	13 */SEC	250
GSX*40A	0*	26*	N/A	N/A	85*	26*	0,3 [2.6]	0,4 [3.5]	1290 */SEC	13 */SEC	250
GSX*42A	0*	26*	38*	N/A	85*	26*	0,3 [2.6]	0,4 [3.5]	1290 */SEC	13 */SEC	250
GSX*44A	0*	26*	38*	N/A	85*	26*	0,3 [2.6]	0,4 [3.5]	1290 */SEC	13 */SEC	250
GSX*46A	0*	26*	38*	N/A	85*	26*	0,3 [2.6]	0,4 [3.5]	1290 */SEC	13 */SEC	250
GSX*01A	0	20,0 [0.79]	20,0 [0.79]	12,0 [0.47]	N/A	56,0 [2.20]	9,7 [2.2]	11,4 [2.6]	8,5 [334.6]	8,5 [0.33]	250
GSX*03A	0	20,0 [0.79]	32,0 [1.26]	N/A	N/A	20,0 [0.79]	9,7 [2.2]	11,4 [2.6]	8,5 [334.6]	8,5 [0.33]	250
GSX*04A	0	32,0 [1.26]	20,0 [0.79]	N/A	N/A	32,0 [1.26]	9,7 [2.2]	11,4 [2.6]	8,5 [334.6]	8,5 [0.33]	250
GSX*05A	0	N/A	32,0 [1.26]	N/A	N/A	N/A	9,7 [2.2]	11,4 [2.6]	8,5 [334.6]	8,5 [0.33]	250
GSX*06A	0	20,0 [0.79]	N/A	N/A	N/A	20,0 [0.79]	9,7 [2.2]	11,4 [2.6]	8,5 [334.6]	8,5 [0.33]	250
GSX*20A	0	20,0 [0.79]	20,0 [0.79]	12,0 [0.47]	N/A	56,0 [2.20]	9,7 [2.2]	11,4 [2.6]	8,5 [334.6]	8,5 [0.33]	250
GSX*40A	0	20,0 [0.79]	N/A	N/A	N/A	20,0 [0.79]	9,7 [2.2]	11,4 [2.6]	8,5 [334.6]	8,5 [0.33]	250
GSX*42A	0	20,0 [0.79]	32,0 [1.26]	N/A	N/A	20,0 [0.79]	9,7 [2.2]	11,4 [2.6]	8,5 [334.6]	8,5 [0.33]	250
GSX*44A	0	20,0 [0.79]	32,0 [1.26]	N/A	N/A	20,0 [0.79]	9,7 [2.2]	11,4 [2.6]	8,5 [334.6]	8,5 [0.33]	250
GSX*46A	0	20,0 [0.79]	32,0 [1.26]	N/A	N/A	20,0 [0.79]	9,7 [2.2]	11,4 [2.6]	8,5 [334.6]	8,5 [0.33]	250
GSX*01B	37,5 [1.48]	35,0 [1.38]	35,0 [1.38]	0,9 [0.04]	30,5 [1.20]	33,0 [1.30]	16,0 [3.6]	27,0 [6.0]	0,1 [3.9]	1,0 [0.04]	250
GSX*03B	37,5 [1.48]	35,0 [1.38]	34,0 [1.34]	N/A	30,5 [1.20]	35,0 [1.38]	16,0 [3.6]	27,0 [6.0]	0,1 [3.9]	1,0 [0.04]	250
GSX*04B	37,5 [1.48]	34,0 [1.34]	35,0 [1.38]	N/A	30,5 [1.20]	34,0 [1.34]	16,0 [3.6]	27,0 [6.0]	0,1 [3.9]	1,0 [0.04]	250
GSX*05B	37,5 [1.48]	N/A	34,0 [1.34]	N/A	30,5 [1.20]	N/A	16,0 [3.6]	27,0 [6.0]	0,1 [3.9]	1,0 [0.04]	250
GSX*06B	37,5 [1.48]	35,0 [1.38]	N/A	N/A	30,5 [1.20]	35,0 [1.38]	16,0 [3.6]	27,0 [6.0]	0,1 [3.9]	1,0 [0.04]	250
GSX*20B	37,5 [1.48]	35,0 [1.38]	35,0 [1.38]	0,9 [0.04]	30,5 [1.20]	33,0 [1.30]	16,0 [3.6]	27,0 [6.0]	0,1 [3.9]	1,0 [0.04]	250
GSX*40B	37,5 [1.48]	35,0 [1.38]	N/A	N/A	30,5 [1.20]	35,0 [1.38]	16,0 [3.6]	27,0 [6.0]	0,1 [3.9]	1,0 [0.04]	250
GSX*42B	37,5 [1.48]	35,0 [1.38]	34,0 [1.34]	N/A	30,5 [1.20]	35,0 [1.38]	16,0 [3.6]	27,0 [6.0]	0,1 [3.9]	1,0 [0.04]	250
GSX*44B	37,5 [1.48]	35,0 [1.38]	34,0 [1.34]	N/A	30,5 [1.20]	35,0 [1.38]	16,0 [3.6]	27,0 [6.0]	0,1 [3.9]	1,0 [0.04]	250
GSX*46B	37,5 [1.48]	35,0 [1.38]	34,0 [1.34]	N/A	30,5 [1.20]	35,0 [1.38]	16,0 [3.6]	27,0 [6.0]	0,1 [3.9]	1,0 [0.04]	250
GSX*01C	50,5 [1.99]	48,0 [1.89]	48,0 [1.89]	0,9 [0.04]	43,5 [1.71]	46,0 [1.81]	16,0 [3.6]	27,0 [6.0]	0,1 [3.9]	1,0 [0.04]	250
GSX*03C	50,5 [1.99]	48,0 [1.89]	47,0 [1.85]	N/A	43,5 [1.71]	48,0 [1.89]	16,0 [3.6]	27,0 [6.0]	0,1 [3.9]	1,0 [0.04]	250
GSX*04C	50,5 [1.99]	47,0 [1.85]	48 MM	N/A	43,5 [1.71]	47,0 [1.85]	16,0 [3.6]	27,0 [6.0]	0,1 [3.9]	1,0 [0.04]	250
GSX*05C	50,5 [1.99]	N/A	47,0 [1.85]	N/A	43,5 [1.71]	N/A	16,0 [3.6]	27,0 [6.0]	0,1 [3.9]	1,0 [0.04]	250
GSX*06C	50,5 [1.99]	48,0 [1.89]	N/A	N/A	43,5 [1.71]	48,0 [1.89]	16,0 [3.6]	27,0 [6.0]	0,1 [3.9]	1,0 [0.04]	250
GSX*20C	50,5 [1.99]	48,0 [1.89]	48,0 [1.89]	0,9 [0.04]	43,5 [1.71]	46,0 [1.81]	16,0 [3.6]	27,0 [6.0]	0,1 [3.9]	1,0 [0.04]	250
GSX*40C	50,5 [1.99]	48,0 [1.89]	N/A	N/A	43,5 [1.71]	48,0 [1.89]	16,0 [3.6]	27,0 [6.0]	0,1 [3.9]	1,0 [0.04]	250
GSX*42C	50,5 [1.99]	48,0 [1.89]	47,0 [1.85]	N/A	43,5 [1.71]	48,0 [1.89]	16,0 [3.6]	27,0 [6.0]	0,1 [3.9]	1,0 [0.04]	250
GSX*44C	50,5 [1.99]	48,0 [1.89]	47,0 [1.85]	N/A	43,5 [1.71]	48,0 [1.89]	16,0 [3.6]	27,0 [6.0]	0,1 [3.9]	1,0 [0.04]	250
GSX*46C	50,5 [1.99]	48,0 [1.89]	47,0 [1.85]	N/A	43,5 [1.71]	48,0 [1.89]	16,0 [3.6]	27,0 [6.0]	0,1 [3.9]	1,0 [0.04]	250
GSX*01D	65,2 [2.57]	61,0 [2.40]	61,0 [2.40]	1,7 [0.07]	52,0 [2.05]	56,9 [2.24]	9,5 [2.1]	12,7 [2.9]	0,2 [7.9]	2,0 [0.08]	250
GSX*03D	65,2 [2.57]	61,0 [2.40]	59,1 [2.33]	N/A	52,0 [2.05]	61,0 [2.40]	9,5 [2.1]	12,7 [2.9]	0,2 [7.9]	2,0 [0.08]	250
GSX*04D	65,2 [2.57]	59,1 [2.33]	61,0 [2.40]	N/A	52,0 [2.05]	59,1 [2.33]	9,5 [2.1]	12,7 [2.9]	0,2 [7.9]	2,0 [0.08]	250
GSX*05D	65,2 [2.57]	N/A	59,1 [2.33]	N/A	52,0 [2.05]	N/A	9,5 [2.1]	12,7 [2.9]	0,2 [7.9]	2,0 [0.08]	250
GSX*06D	65,2 [2.57]	61,0 [2.40]	N/A	N/A	52,0 [2.05]	61,0 [2.40]	9,5 [2.1]	12,7 [2.9]	0,2 [7.9]	2,0 [0.08]	250
GSX*20D	65,2 [2.57]	61,0 [2.40]	61,0 [2.40]	1,7 [0.07]	52,0 [2.05]	56,9 [2.24]	9,5 [2.1]	12,7 [2.9]	0,2 [7.9]	2,0 [0.08]	250
GSX*40D	65,2 [2.57]	61,0 [2.40]	N/A	N/A	52,0 [2.05]	61,0 [2.40]	9,5 [2.1]	12,7 [2.9]	0,2 [7.9]	2,0 [0.08]	250
GSX*42D	65,2 [2.57]	61,0 [2.40]	59,1 [2.33]	N/A	52,0 [2.05]	61,0 [2.40]	9,5 [2.1]	12,7 [2.9]	0,2 [7.9]	2,0 [0.08]	250
GSX*44D	65,2 [2.57]	61,0 [2.40]	59,1 [2.33]	N/A	52,0 [2.05]	61,0 [2.40]	9,5 [2.1]	12,7 [2.9]	0,2 [7.9]	2,0 [0.08]	250
GSX*46D	65,2 [2.57]	61,0 [2.40]	59,1 [2.33]	N/A	52,0 [2.05]	61,0 [2.40]	9,5 [2.1]	12,7 [2.9]	0,2 [7.9]	2,0 [0.08]	250
GSX*01E	0	20,0 [0.79]	20,0 [0.79]	4,1 [0.16]	N/A	29,1 [1.15]	5,5 [1.2]	7,0 [1.6]	0,3 [11.8]	2,9 [0.11]	250
GSX*03E	0	20,0 [0.79]	24,1 [0.95]	N/A	N/A	20,0 [0.79]	5,5 [1.2]	7,0 [1.6]	0,3 [11.8]	2,9 [0.11]	250
GSX*04E	0	24,1 [0.95]	20,0 [0.79]	N/A	N/A	24,1 [0.95]	5,5 [1.2]	7,0 [1.6]	0,3 [11.8]	2,9 [0.11]	250
GSX*05E	0	N/A	24,1 [0.95]	N/A	N/A	N/A	5,5 [1.2]	7,0 [1.6]	0,3 [11.8]	2,9 [0.11]	250
GSX*06E	0	20,0 [0.79]	N/A	N/A	N/A	20,0 [0.79]	5,5 [1.2]	7,0 [1.6]	0,3 [11.8]	2,9 [0.11]	250
GSX*20E	0	20,0 [0.79]	20,0 [0.79]	4,1 [0.16]	N/A	29,1 [1.15]	5,5 [1.2]	7,0 [1.6]	0,3 [11.8]	2,9 [0.11]	250
GSX*40E	0	20,0 [0.79]	N/A	N/A	N/A	20,0 [0.79]	5,5 [1.2]	7,0 [1.6]	0,3 [11.8]	2,9 [0.11]	250
GSX*42E	0	20,0 [0.79]	24,1 [0.95]	N/A	N/A	20,0 [0.79]	5,5 [1.2]	7,0 [1.6]	0,3 [11.8]	2,9 [0.11]	250
GSX*44E	0	20,0 [0.79]	24,1 [0.95]	N/A	N/A	20,0 [0.79]	5,5 [1.2]	7,0 [1.6]	0,3 [11.8]	2,9 [0.11]	250
GSX*46E	0	20,0 [0.79]	24,1 [0.95]	N/A	N/A	20,0 [0.79]	5,5 [1.2]	7,0 [1.6]	0,3 [11.8]	2,9 [0.11]	250

CIRCUIT DIAGRAMS AND CHARACTERISTICS	
BASIC SWITCH CODE	CONTACT BLOCK DIAGRAM
01 07	<p>SNAP ACTION CONTACTS SINGLE POLE</p> <p>NOMINAL TRAVELS AND RELATED TERMINALS</p> <ul style="list-style-type: none"> <li><span style="background-color: black; color: white;">■</span> CONTACT CLOSED</li> <li><span style="border: 1px solid black; padding: 2px;">   </span> CONTACT OPEN</li> <li><span style="background-color: #cccccc; border: 1px solid black;">   </span> CONTACT CLOSED, DIFFERENTIAL TRAVEL</li> </ul>
03 33	<p>SLOW ACTING BREAK BEFORE MAKE</p>
04 34	<p>SLOW ACTING BREAK BEFORE MAKE</p>
05 35	<p>SLOW ACTING</p>
06 36	<p>SLOW ACTING</p>
20 22	<p>SNAP ACTION CONTACTS DOUBLE POLE</p>
40 41	<p>SLOW ACTING</p>
42 43	<p>SLOW ACTING BREAK BEFORE MAKE</p>
44 45	<p>SLOW ACTING BREAK BEFORE MAKE</p>
46 47	<p>SLOW ACTING BREAK BEFORE MAKE</p>

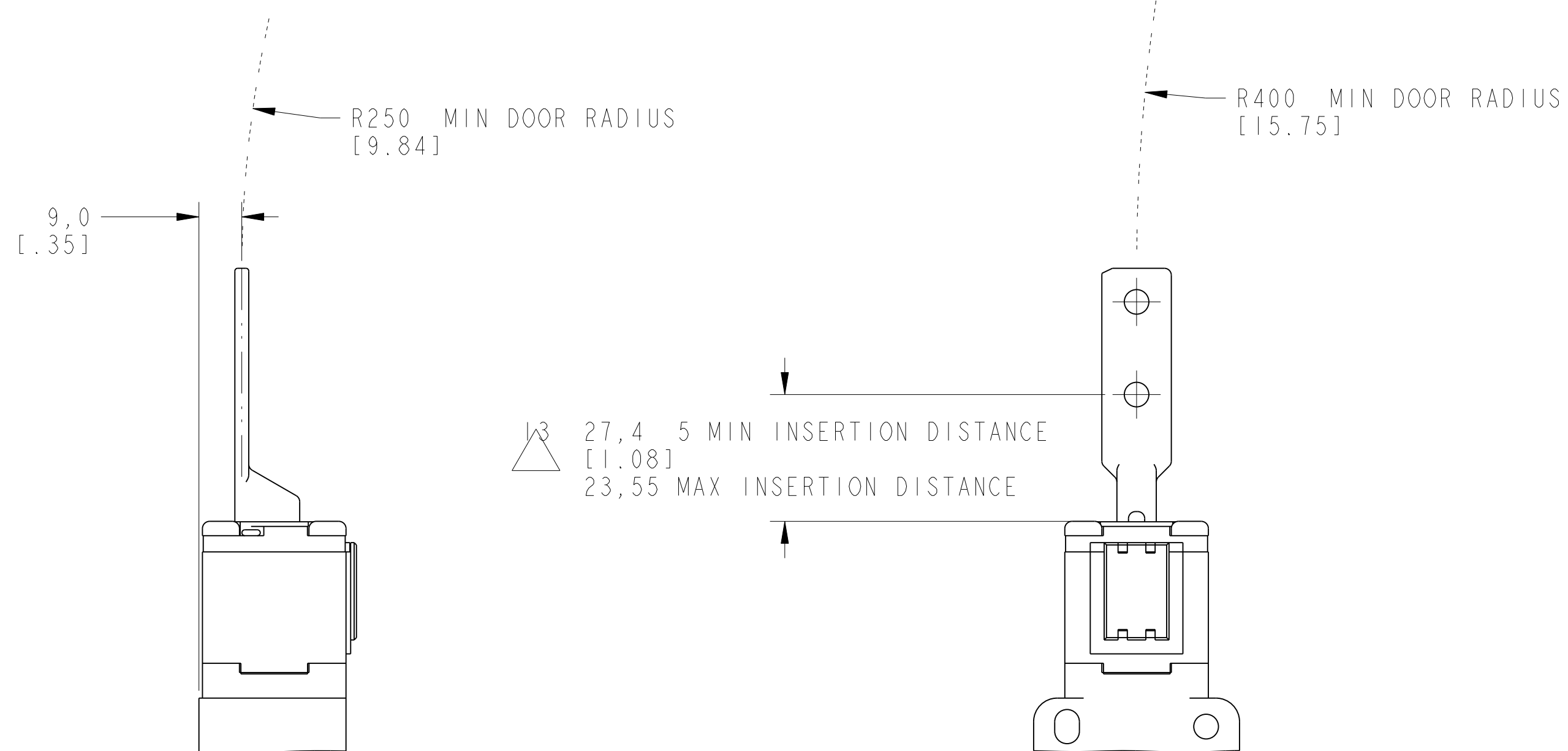
THIS DRAWING COVERS A PROPRIETARY ITEM AND IS THE PROPERTY OF HONEYWELL. THIS DRAWING IS NOT TO BE COPIED OR USED WITHOUT THE PERMISSION OF HONEYWELL.

<b>Honeywell</b>				REV <b>B</b>
SIZE	TYPE	CAGE CODE	DRAWING NAME	
D	I	-	GSX SERIES CHART 1	
SCALE	1 : 1			SHEET 3 OF 6

### KEY CODE 6

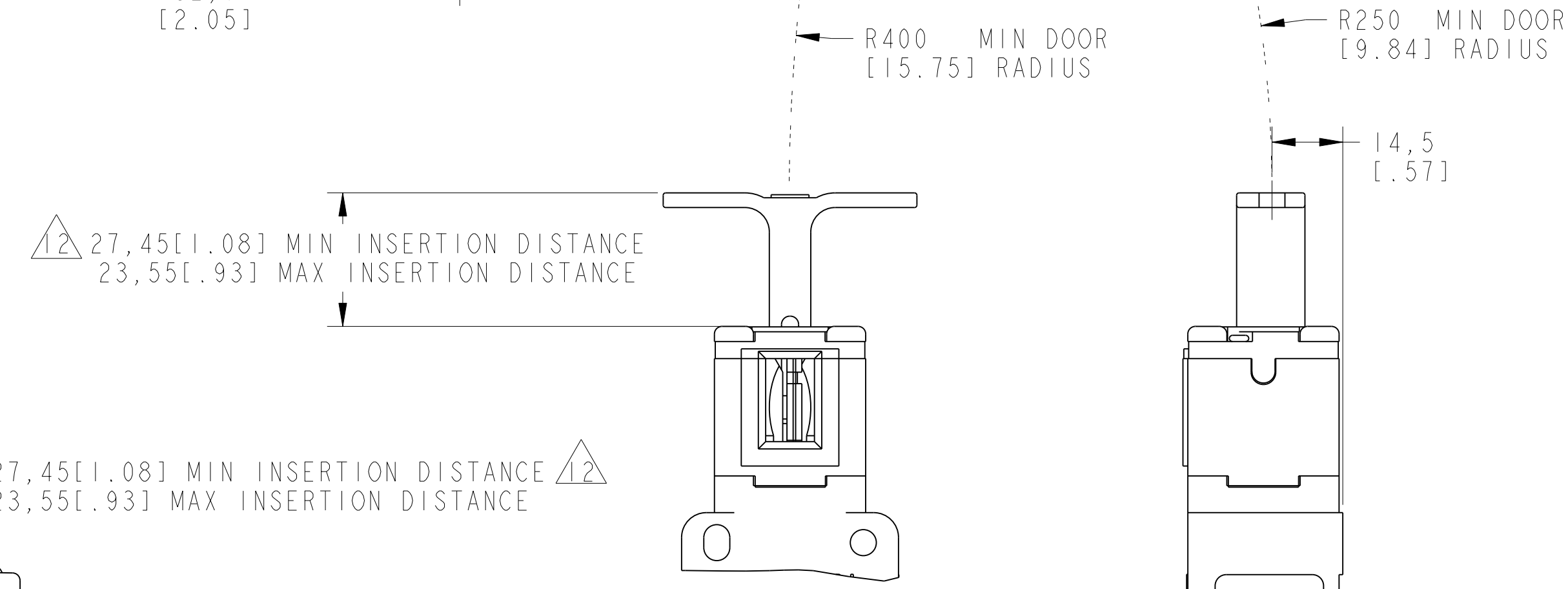
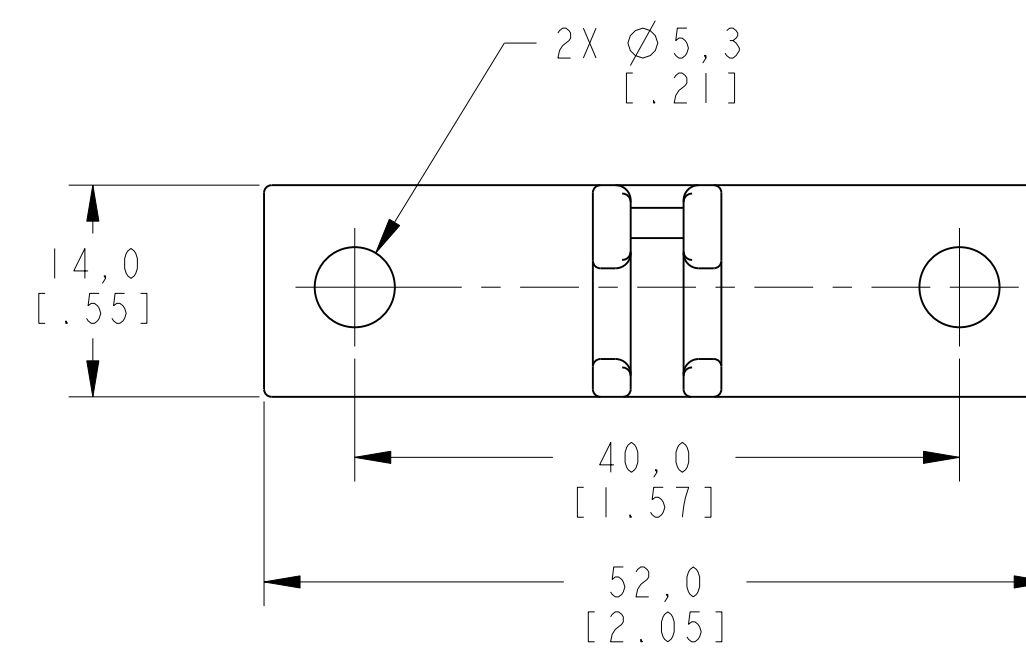
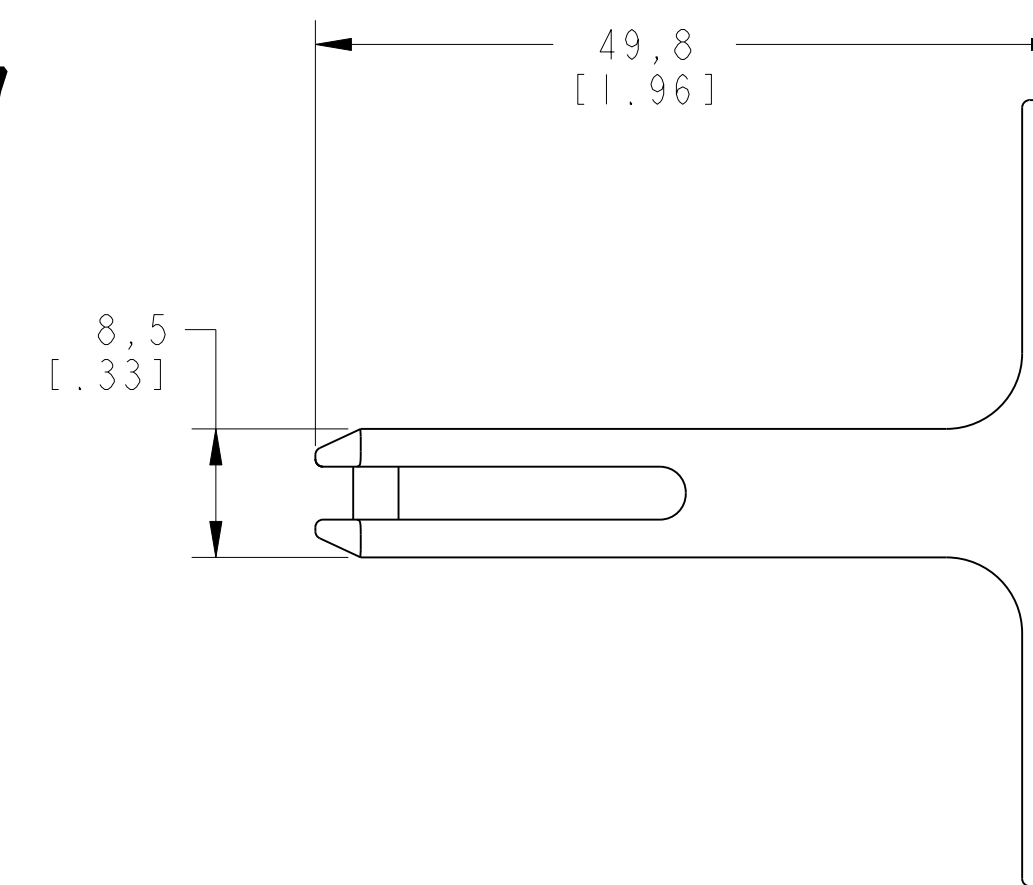


### FRONT ENTRY

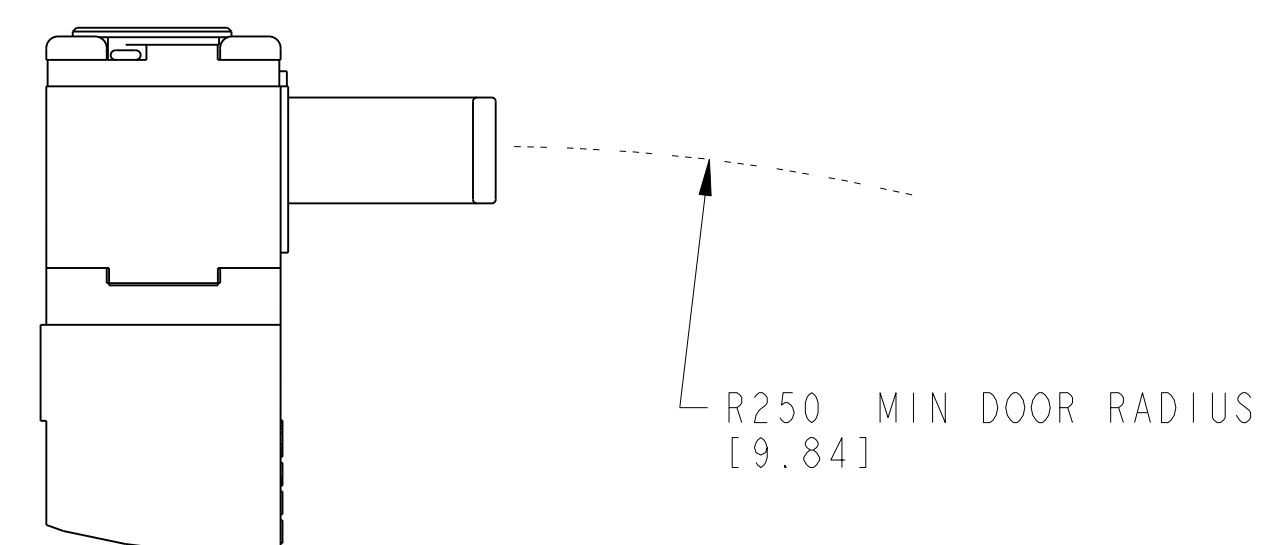
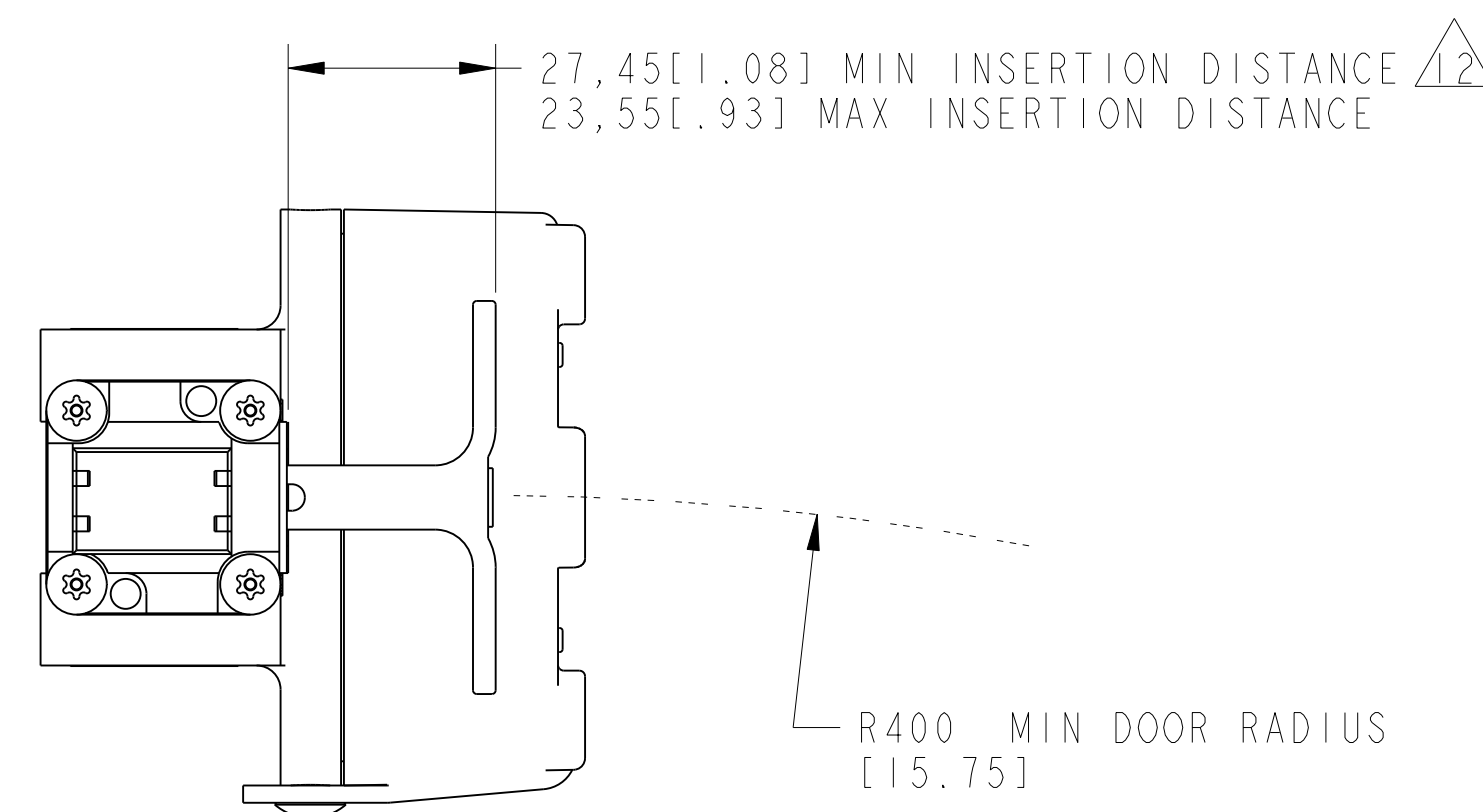


### TOP ENTRY

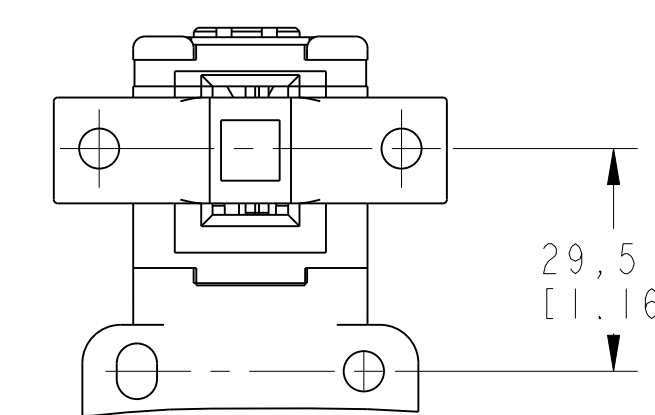
### KEY CODE 7



### TOP ENTRY

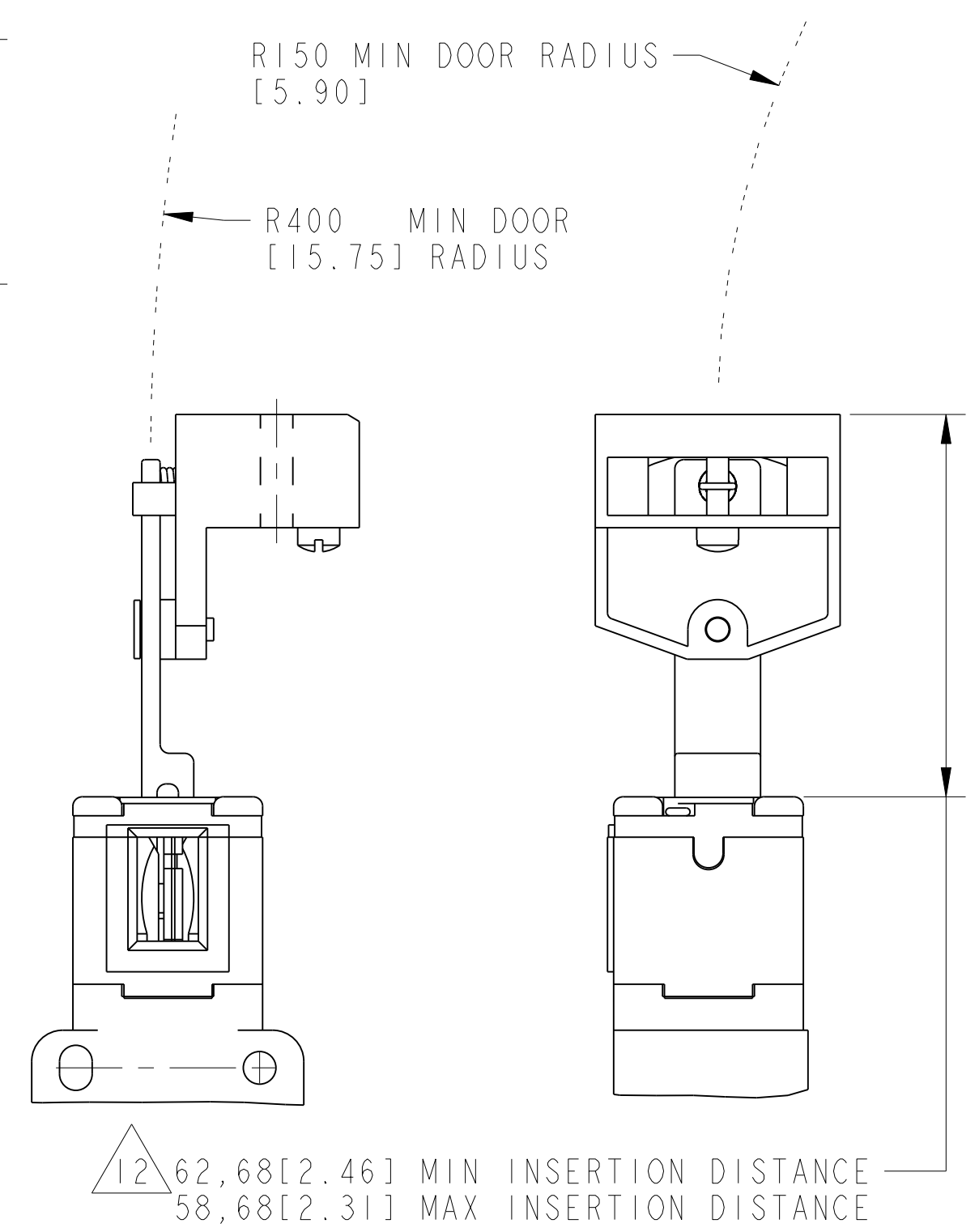
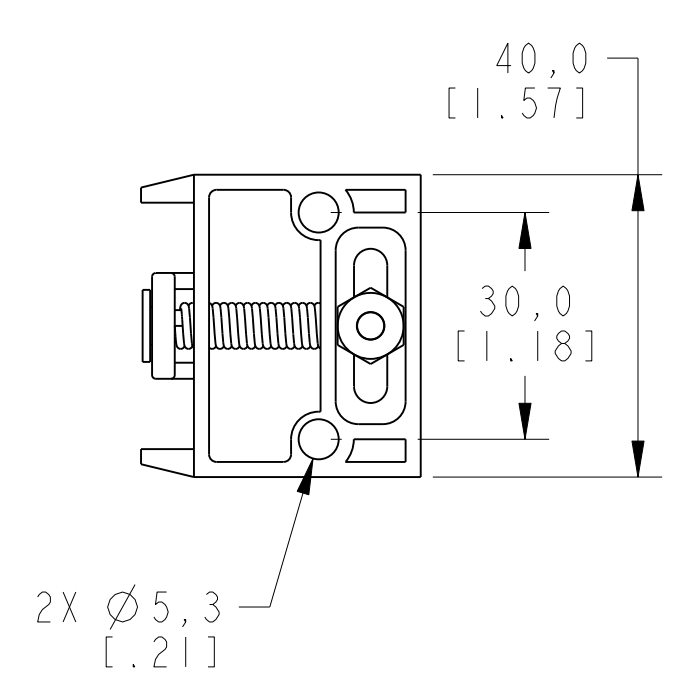
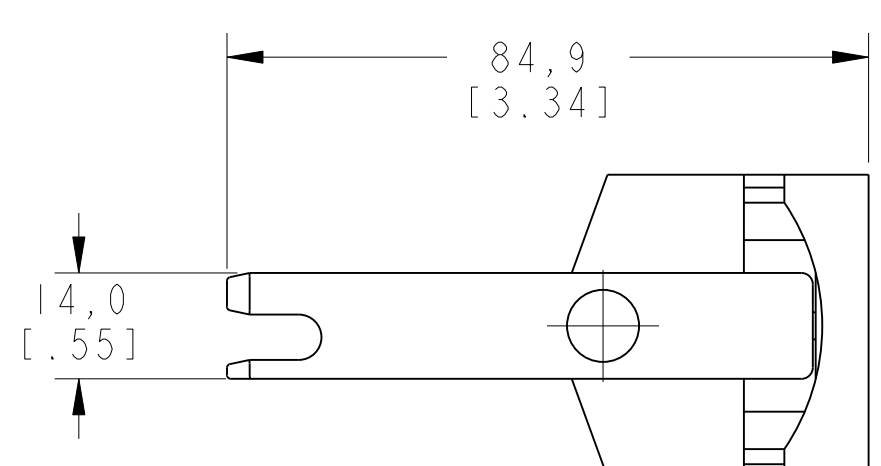
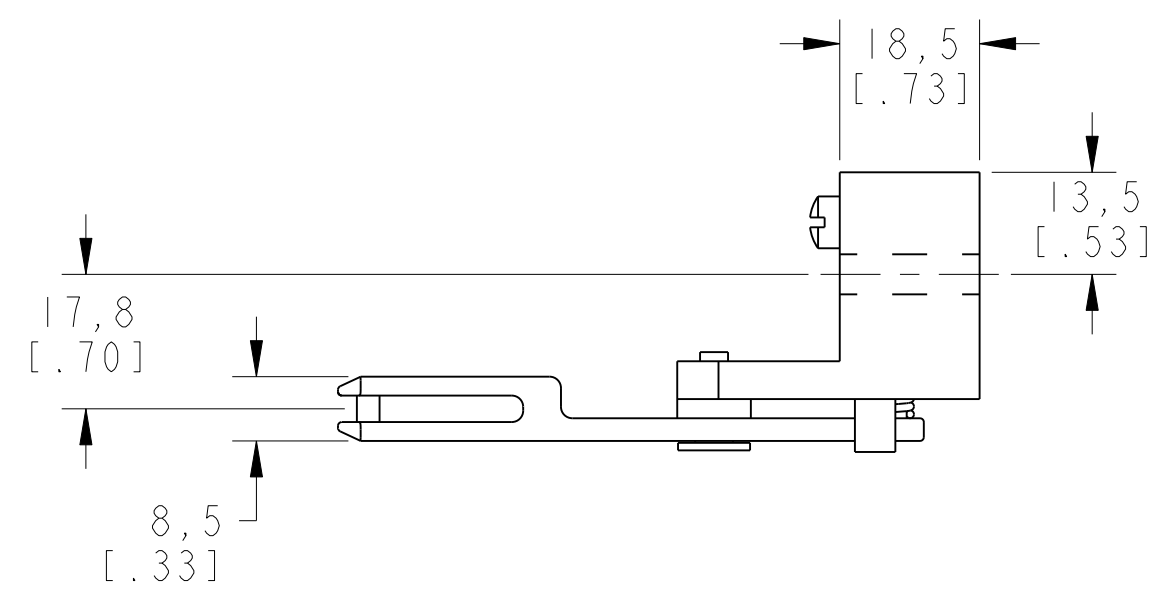


### FRONT ENTRY

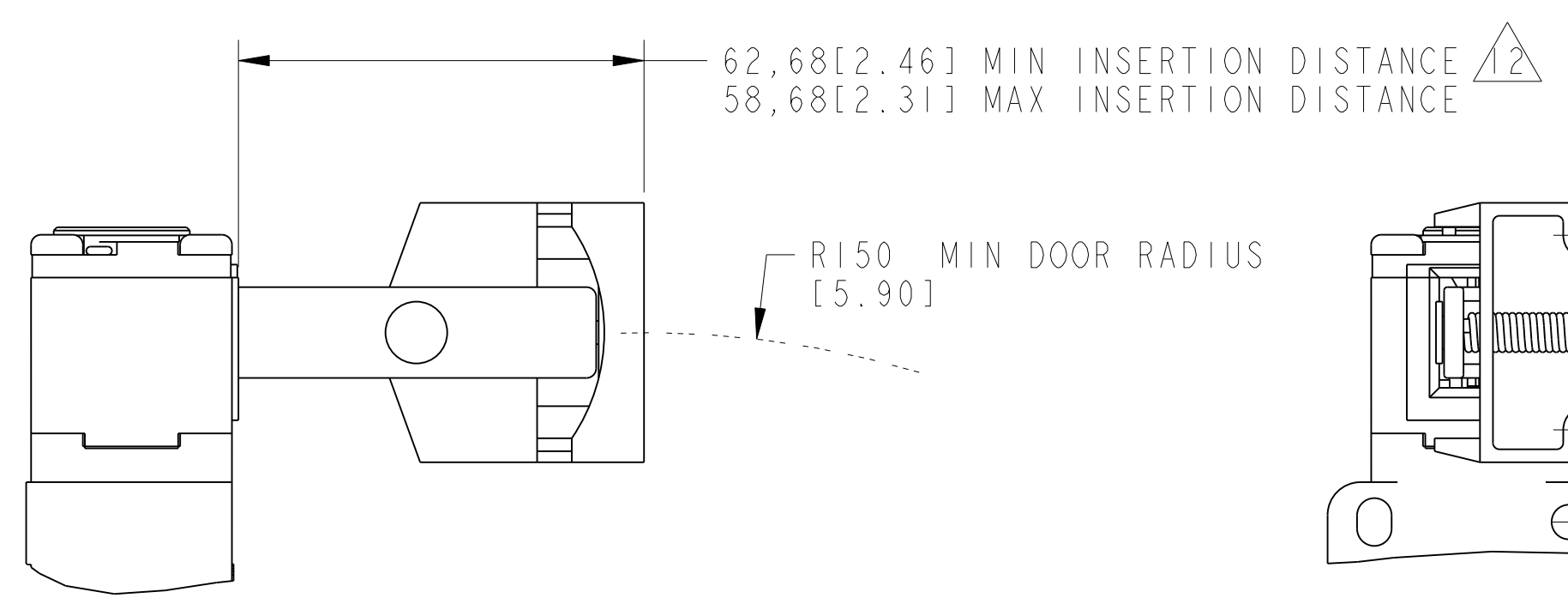
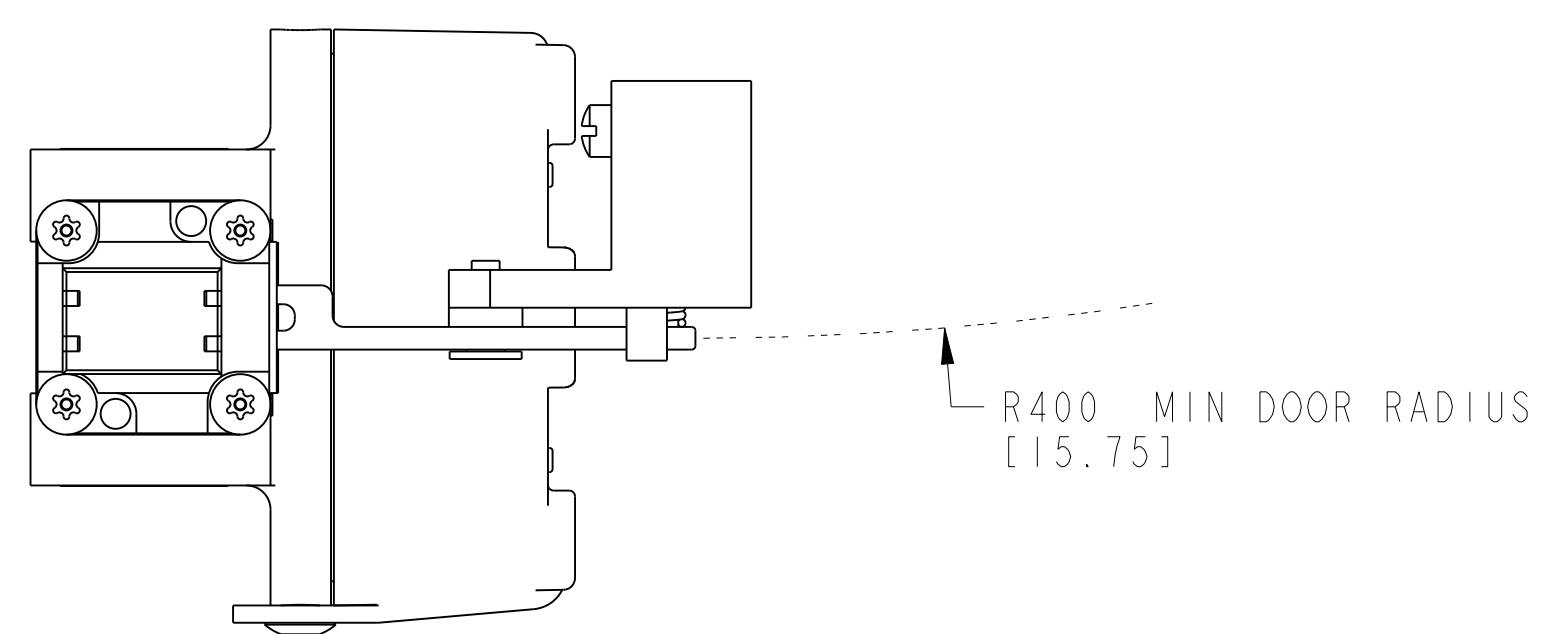


THIS DRAWING COVERS A PROPRIETARY ITEM AND IS THE PROPERTY OF HONEYWELL. THIS DRAWING IS NOT TO BE COPIED OR USED WITHOUT THE PERMISSION OF HONEYWELL.				<b>Honeywell</b>	
SIZE	TYPE	CAGE CODE	DRAWING NAME	REV	
D	I	-	GSX SERIES CHART 1	B	
SCALE 1:1				SHEET	4 OF 6

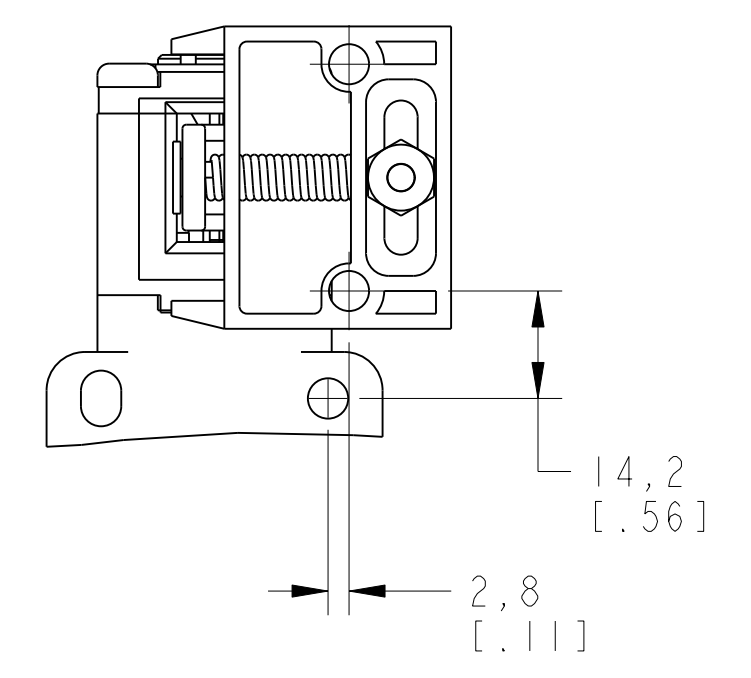
### KEY CODE 8



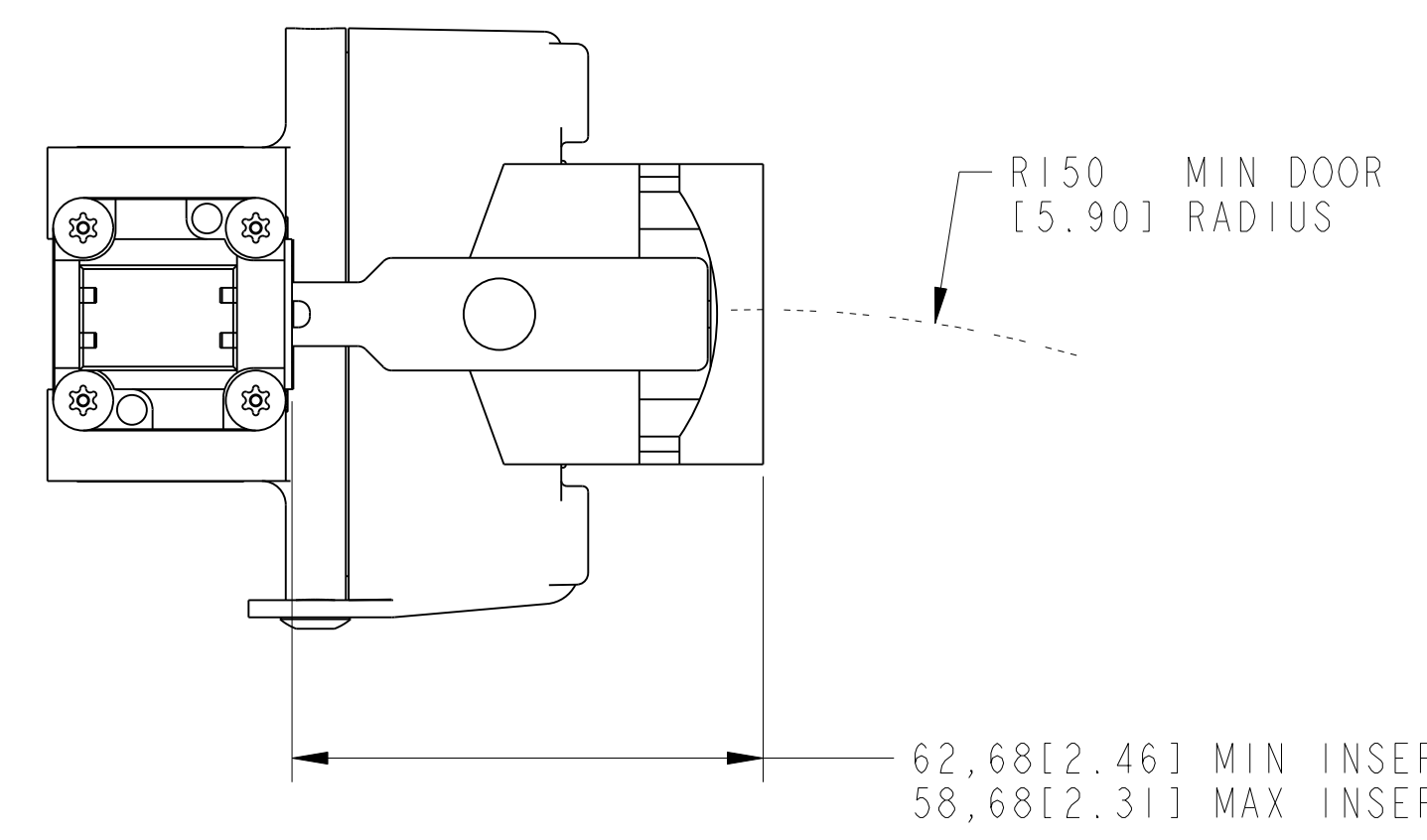
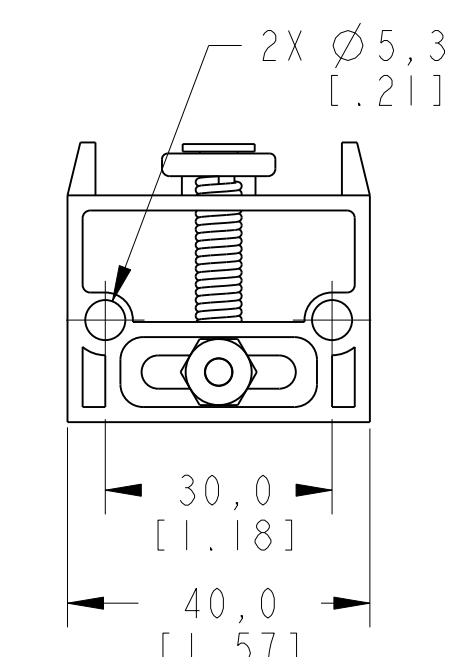
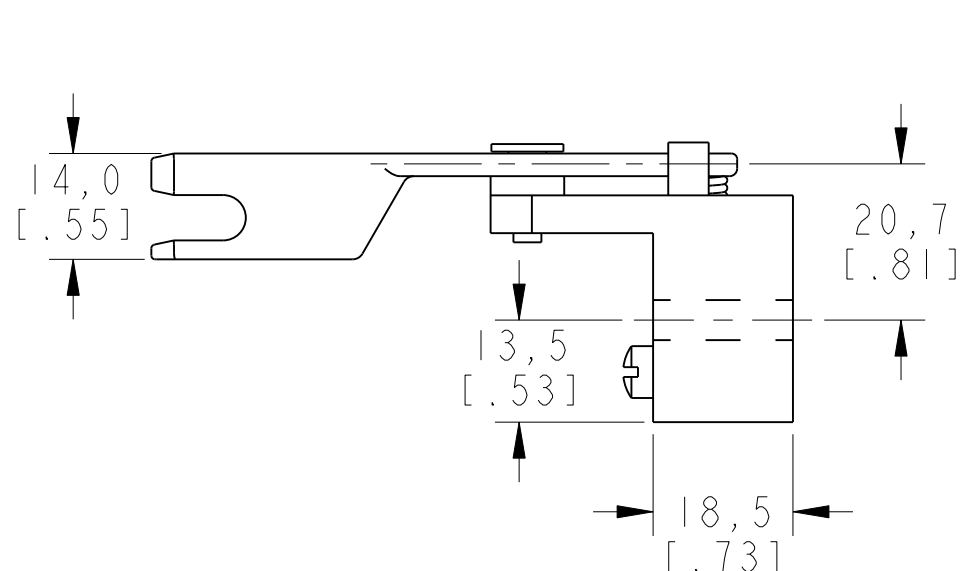
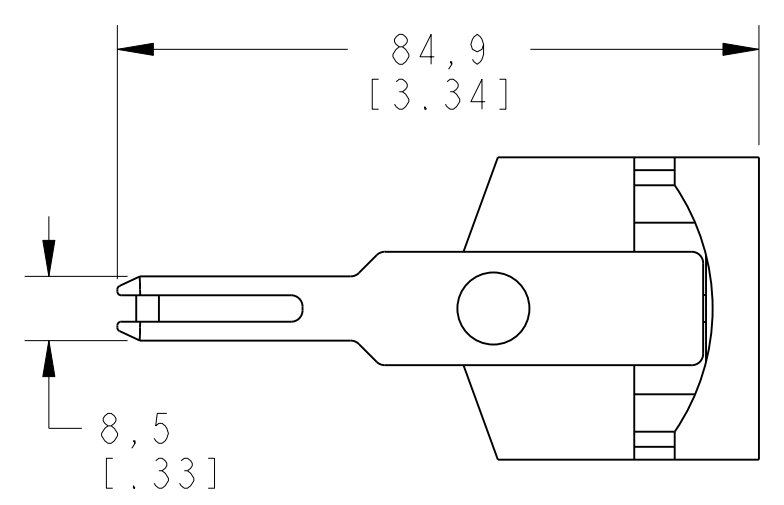
### TOP ENTRY



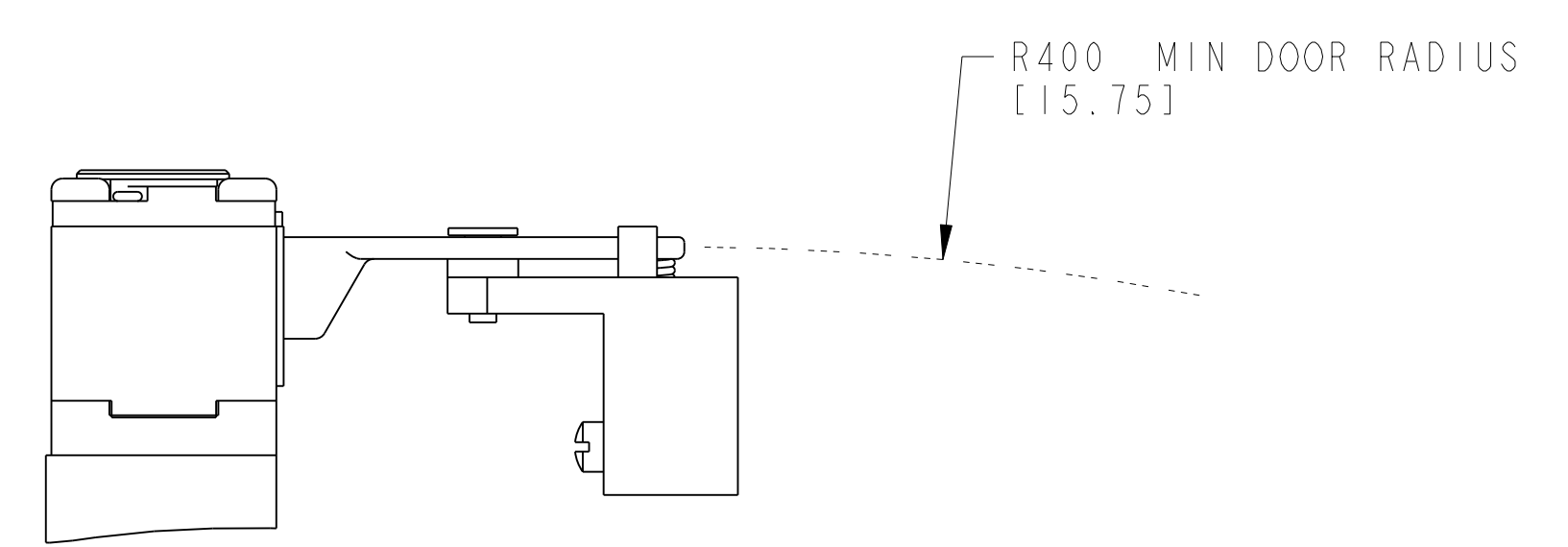
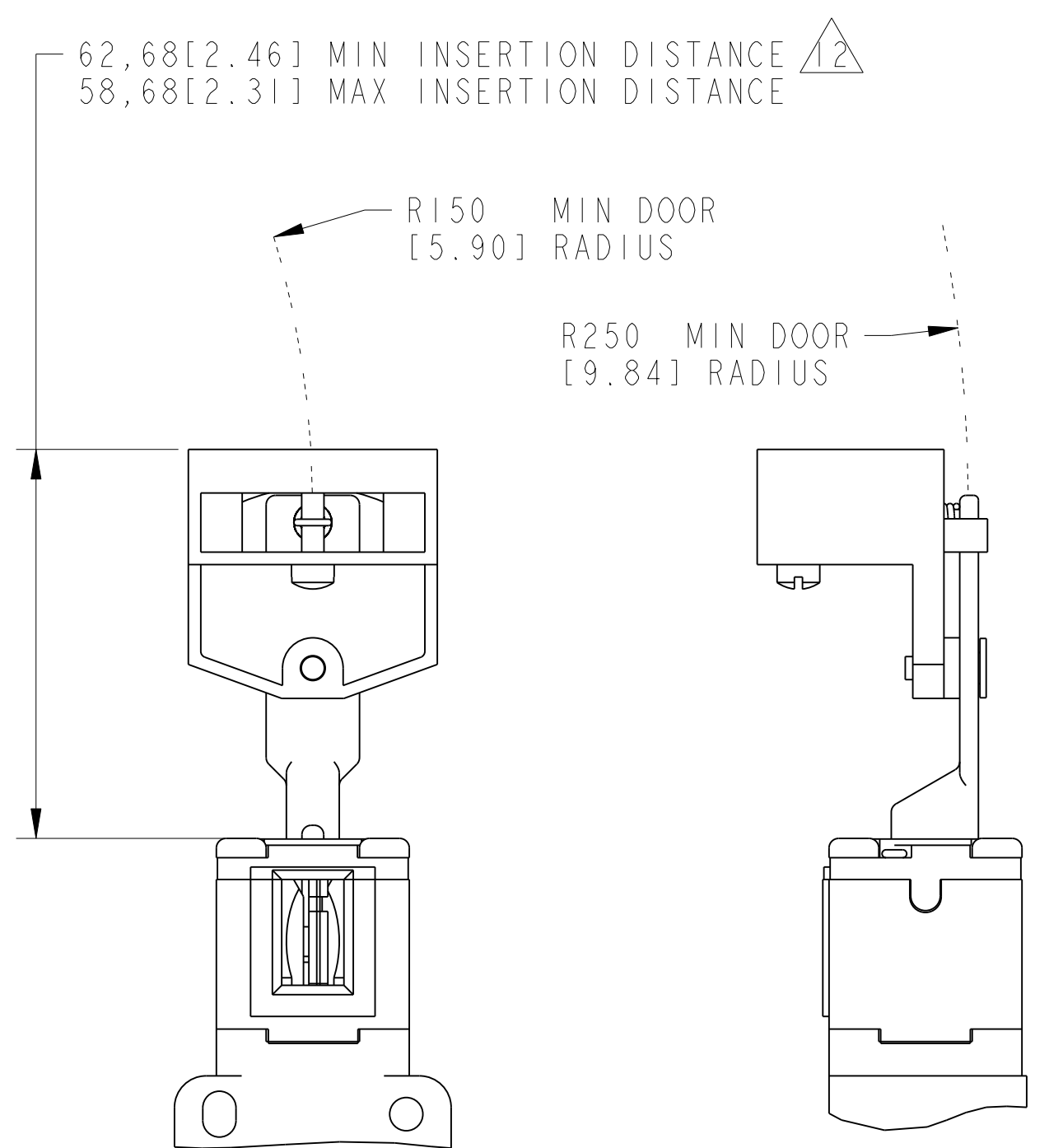
### FRONT ENTRY



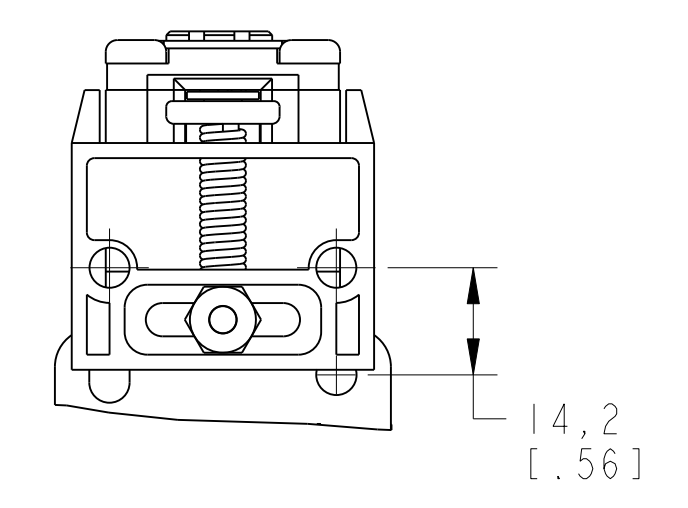
### KEY CODE 9



### TOP ENTRY

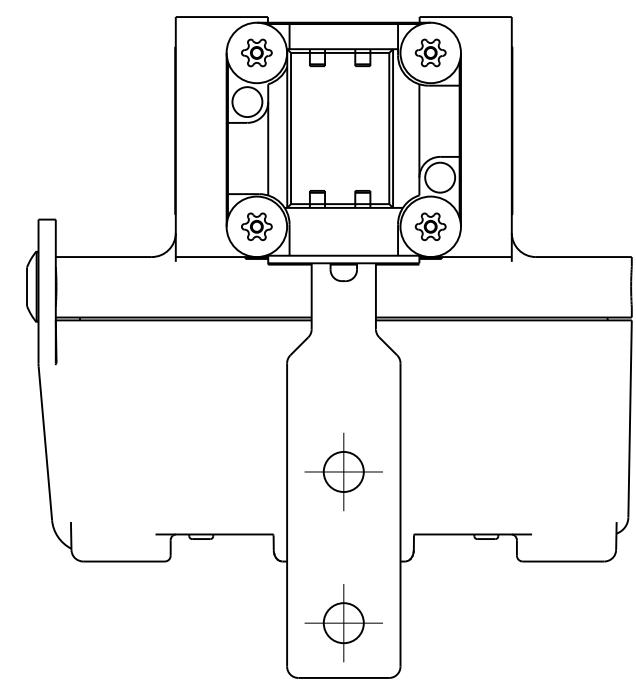


### FRONT ENTRY

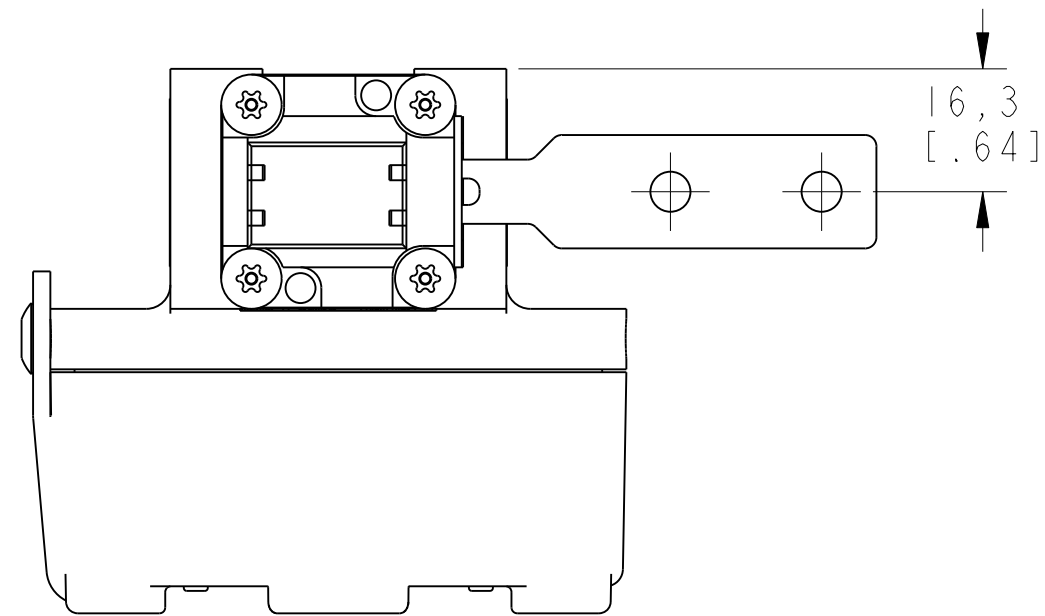


THIS DRAWING COVERS A PROPRIETARY ITEM AND IS THE PROPERTY OF HONEYWELL. THIS DRAWING IS NOT TO BE COPIED OR USED WITHOUT THE PERMISSION OF HONEYWELL.					<b>Honeywell</b>	
SIZE	TYPE	CAGE CODE	DRAWING NAME	REV		
D	I	-	GSX SERIES CHART 1	B		
SCALE 1:1				SHEET 5 OF 6		

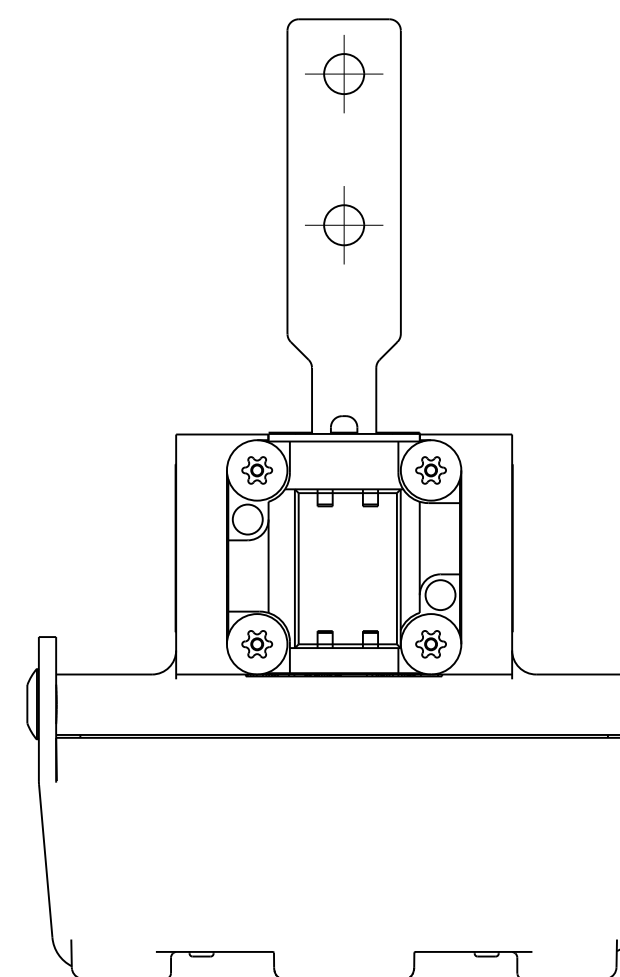
HEAD CODE M



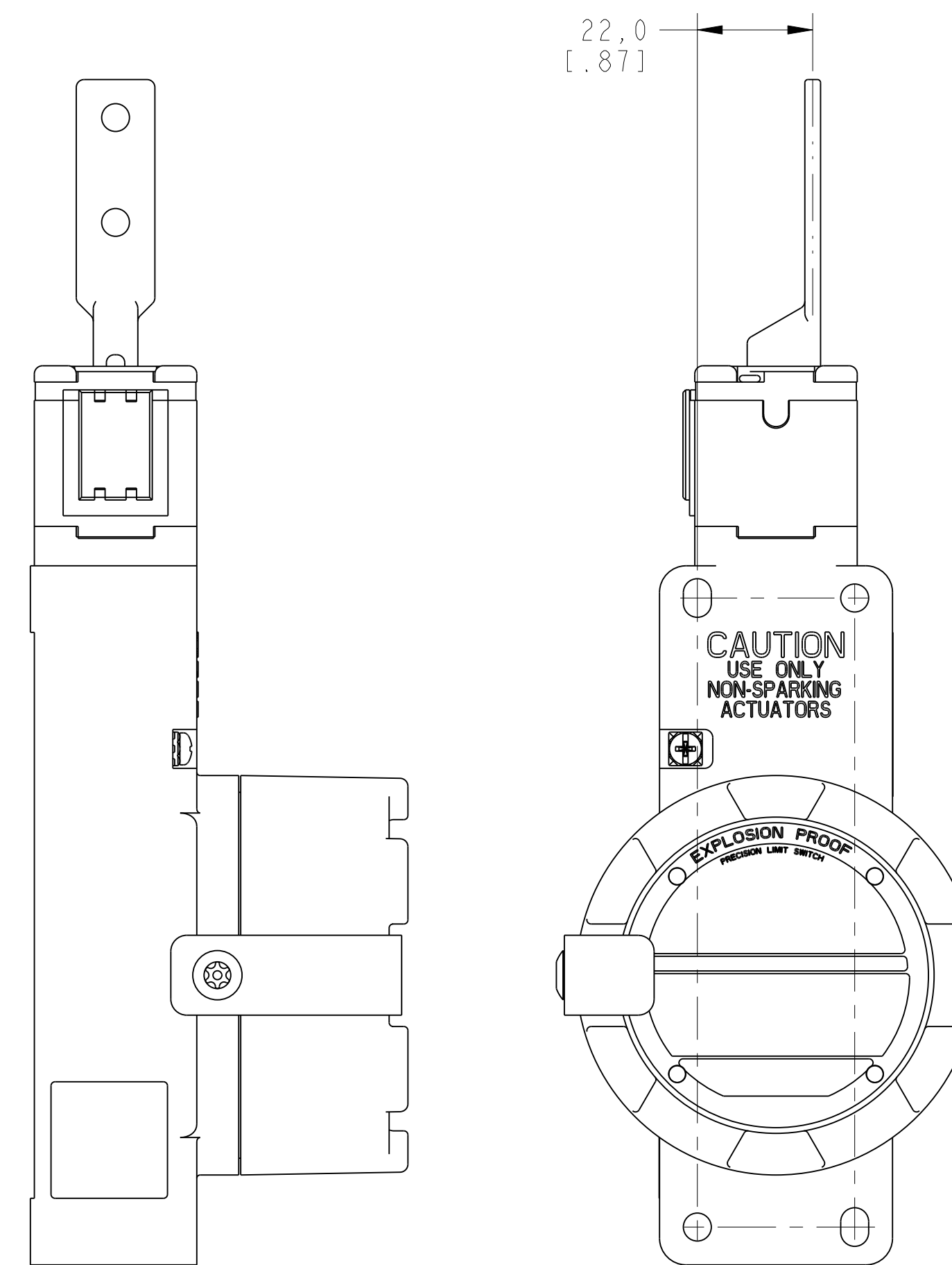
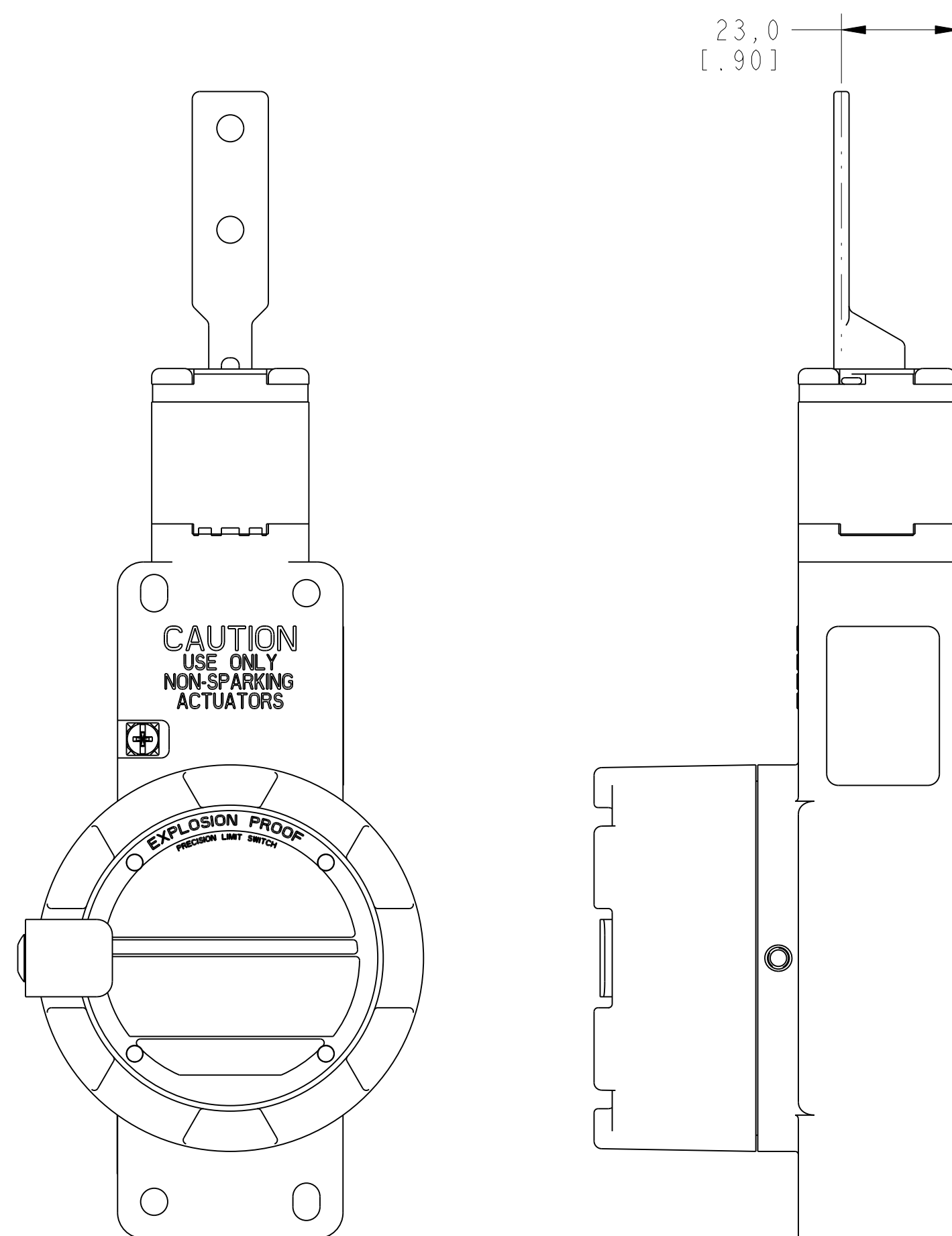
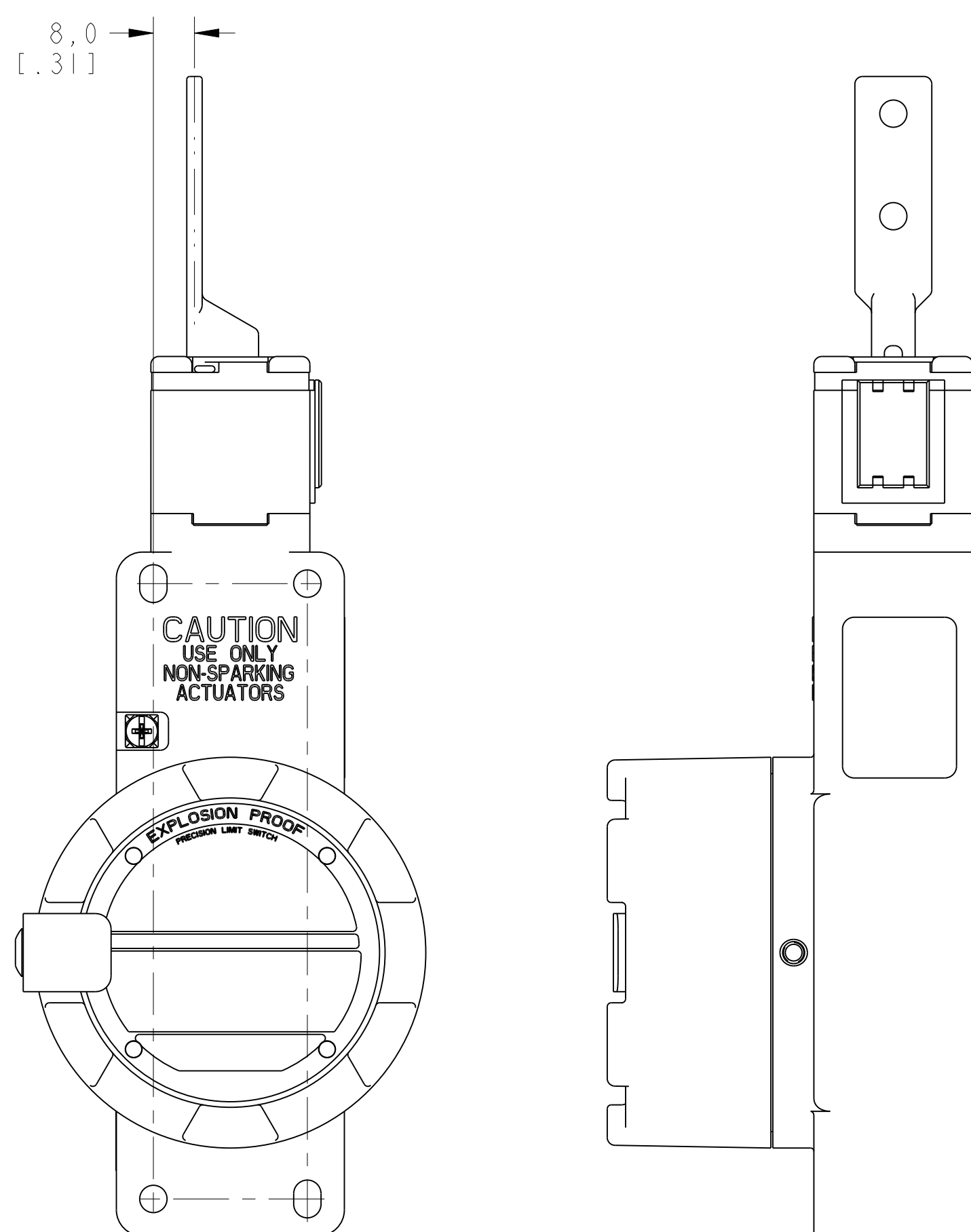
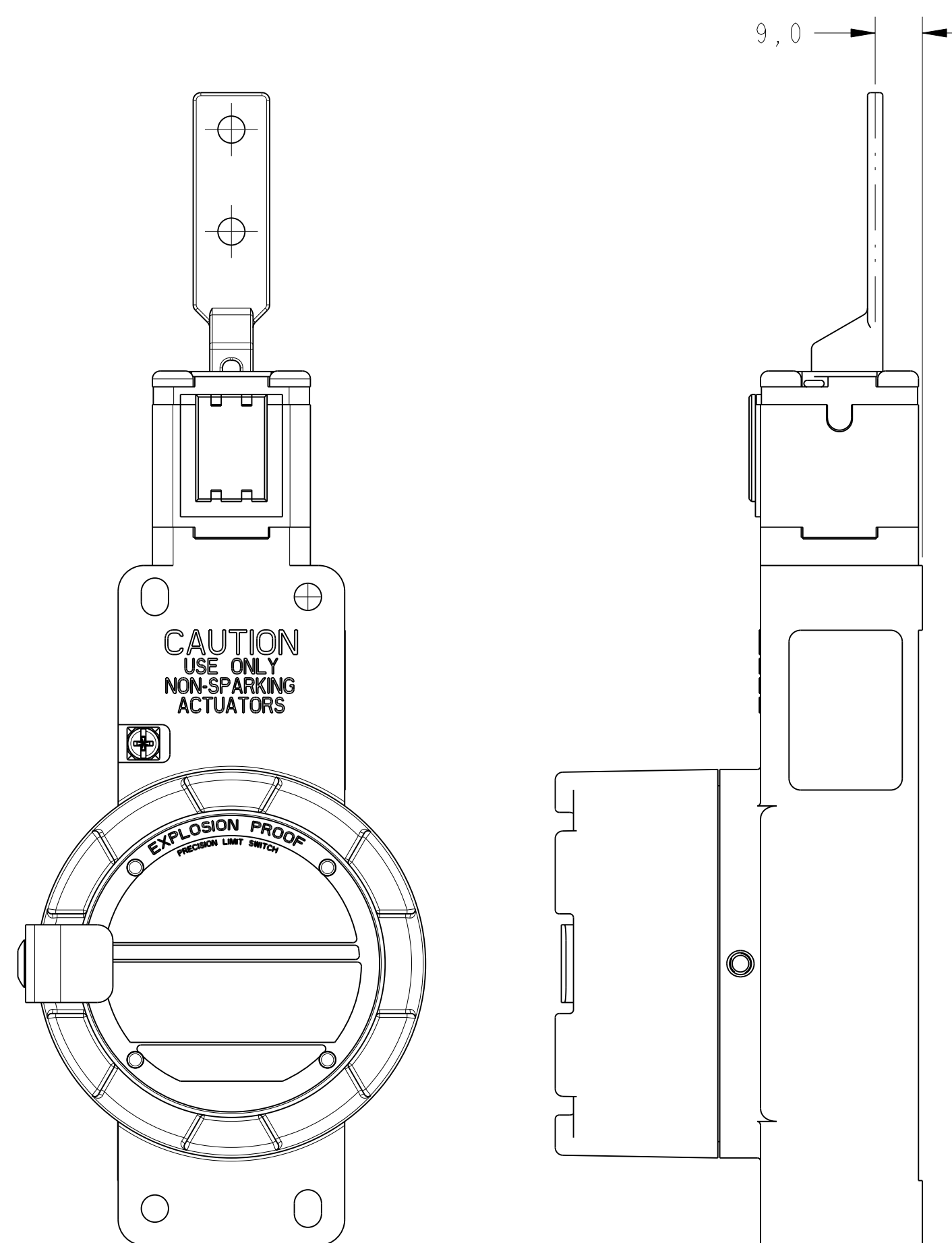
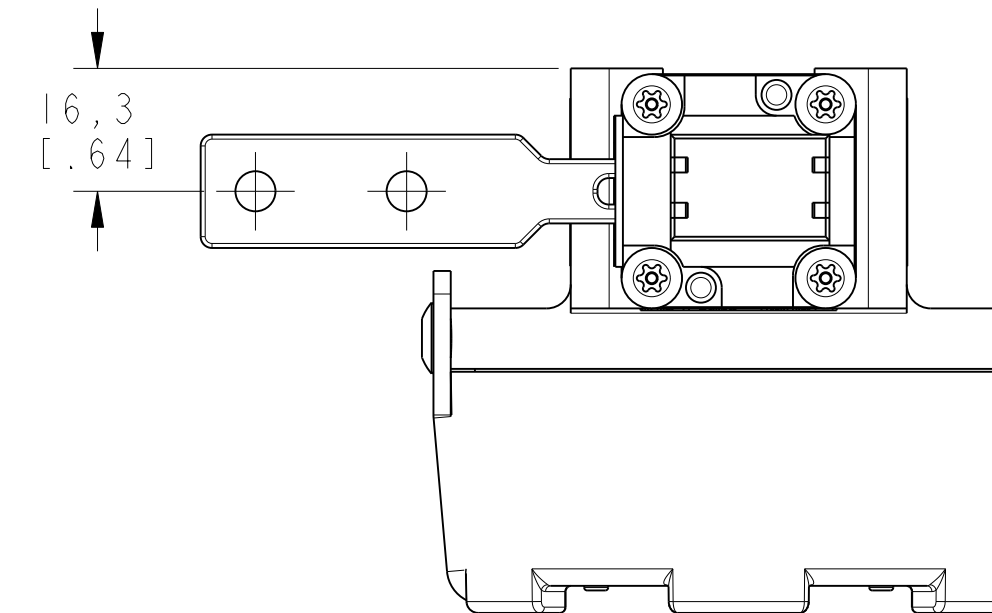
HEAD CODE M  
MODIFICATION CODE 3



HEAD CODE M  
MODIFICATION CODE 4



HEAD CODE M  
MODIFICATION CODE 5



THIS DRAWING COVERS A PROPRIETARY ITEM AND IS THE PROPERTY OF HONEYWELL. THIS DRAWING IS NOT TO BE COPIED OR USED WITHOUT THE PERMISSION OF HONEYWELL.				<b>Honeywell</b>	
SIZE	TYPE	CAGE CODE	DRAWING NAME	REV	
D	I	-	GSX SERIES CHART 1	B	
SCALE 1:1				SHEET 6 OF 6	