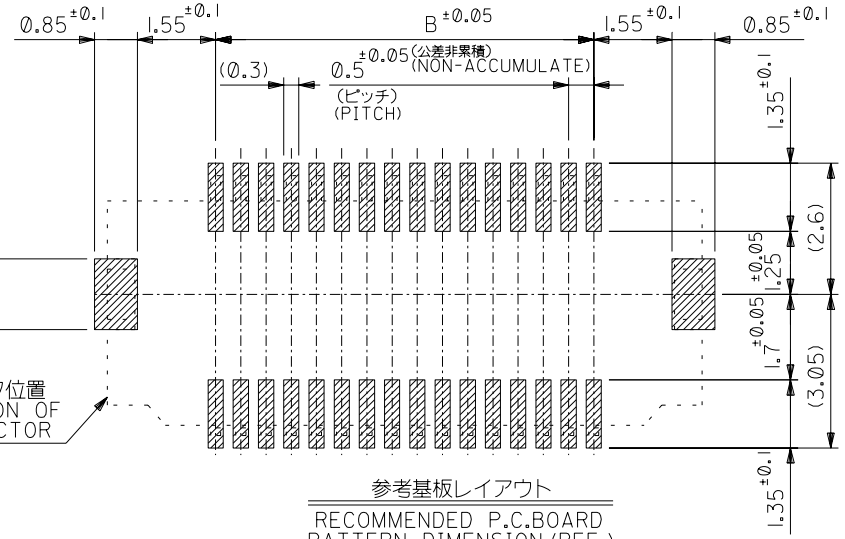
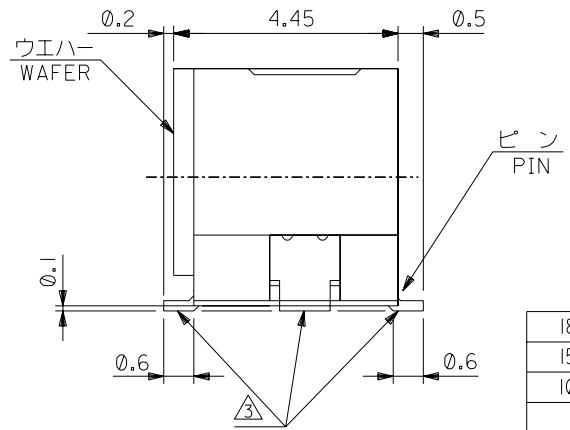
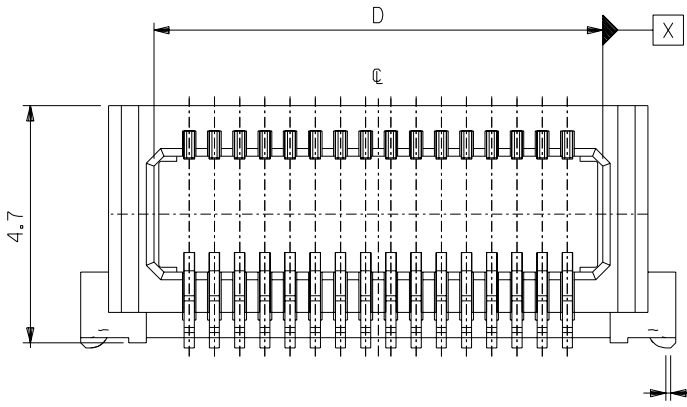


補強金具
FITTING NAIL

コネクタ位置
POSITION OF CONNECTOR



参考基板レイアウト
RECOMMENDED P.C.BOARD
PATTERN DIMENSION.(REF.)



18.4	20.2	17.0	21.3	55289-0701	70
15.9	17.7	14.5	18.8	55289-0601	60
10.9	12.7	9.5	13.8	55289-0401	40
D	C	B	A	MATERIAL NO.	極数 CKT

DO NOT SCALE DRAWING

64 NO. DRWN: CH'K: APPR:	63 NO. DRWN: CH'K: APPR:	62 NO. DRWN: CH'K: APPR:	61 NO. DRWN: CH'K: APPR:	60 NO. J2004-1427 DRWN: K.SUZUKI '03/12/09 CH'K: M.SASAO '03/12/09 APPR: M.SASAO '03/12/09 RELEASED
MATERIAL 材料 注記参照 SEE NOTES				
FINISH 仕上げ 注記参照 SEE NOTES				
WIRE RANGE 適用層被覆範囲 //				
INS. RANGE 被覆外径 //				

GENERAL TOLERANCES: (UNLESS SPECIFIED) 一般公差	
10 UNDER 未満	±0.2
10 OVER 30 UNDER 未満	±0.25
30 OVER 以上	±0.3
ANGLE 角度	±3°

SCALE	DESIGN UNITS
---	<input checked="" type="checkbox"/> mm <input type="checkbox"/> INCH <input type="checkbox"/> mm ONLY
DRAWN BY & DATE K.SUZUKI '03/12/09	
CHECKED BY & DATE M.SASAO '03/12/09	
APPROVED BY & DATE M.SASAO '03/12/09	
CAD FILENAME SD-55289-009.s01	

MODEL NO.	55289-***1	DIMENSIONS:	SHT	REV
		<input checked="" type="checkbox"/> 2θ PROJECTION <input type="checkbox"/> mm INCH <input type="checkbox"/> mm ONLY		
TITLE: 0.5 B-To-B Conn RA WAFER Assy W/NAIL W/LOCK -LEAD FREE-				
MOLEX MOLEX INCORPORATED				
MATERIAL NO.	DRAWING NO.	SHEET NO.		SIZE
SEE CHART	SD-55289-009	1 OF 2		B
*BIBS DRAWING CONTAINS INFORMATION THAT IS PROPRIETARY TO MOLEX INCORPORATED AND SHOULD NOT BE USED WITHOUT WRITTEN PERMISSION.				

DWG. NO. SD-55289-009

8 7 6 5 4 3 2 1

F

D

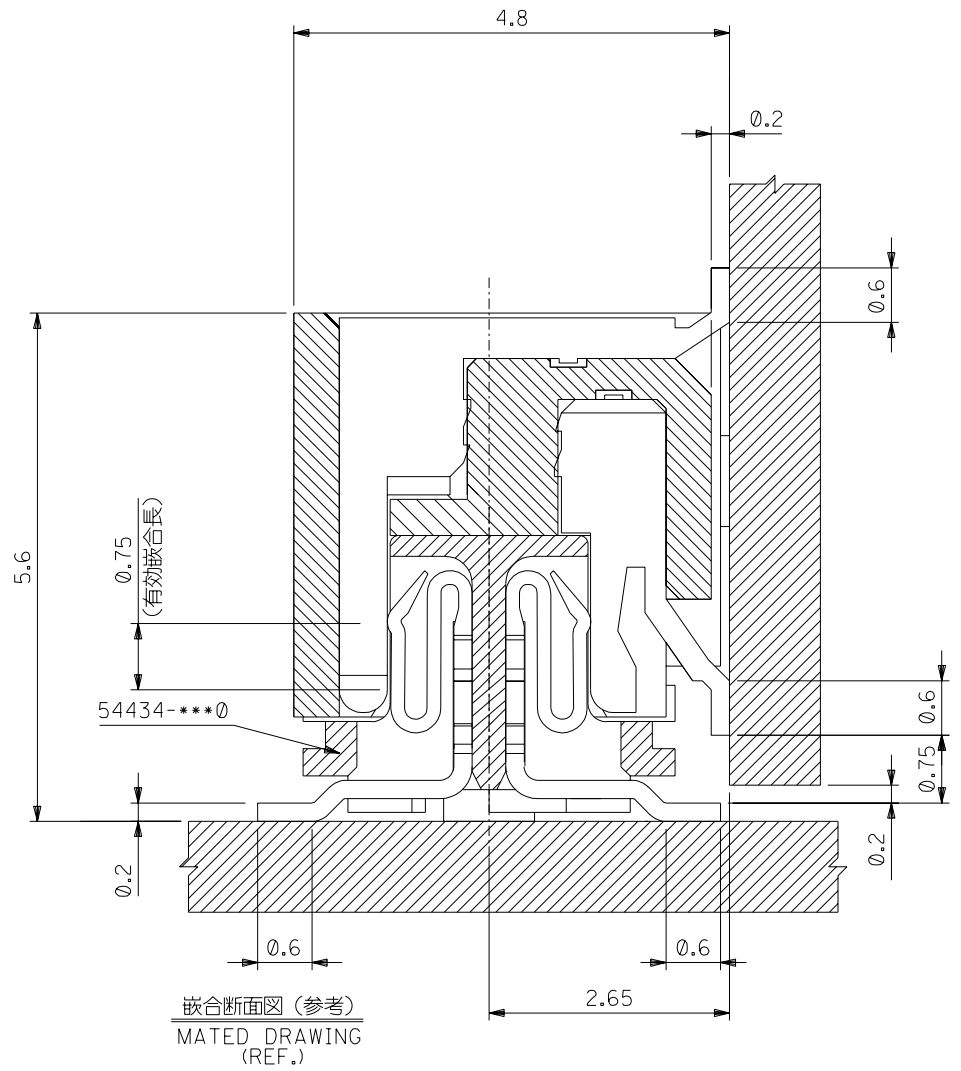
V

C

B

注記 NOTES:

- 材質 MATERIAL
 ハウジング : LCP, (UL94V-0) HOUSING : LCP, UL94V-0
 ピン : 黄銅 (t=0.2) PIN : BRASS
 補強金具 : 黄銅 (t=0.2) FITTING NAIL : BRASS
 - メッキ仕様 PLATING
 ピン : ニッケル下地金メッキ
 PIN : Au OVER Ni PLATING
 補強金具 : ニッケル下地錫メッキ
 FITTING NAIL: Sn OVER Ni PLATING
- △ テールとネイルの相互のばらつきは0.1以下。
 MISALIGNMENT OF SOLDER TAIL AND FITTING NAIL
 OFFSET BETWEEN UPPER AND LOWER : 0.1 MAXIMUM.
- △ (極数/2) = 偶数の場合に適用。
 APPLY FOR (CIRCUIT/2)=EVEN.
5. 嵌合相手 : 54434シリーズ。
 MATES WITH 54434 SERIES.
6. 一对の基板の嵌合に於いて、本製品を2個以上使用することは推奨致し兼ねます。
 MXJ DOES NOT RECOMMEND THE USAGE OF TWO OR MORE OF
 THESE CONNECTORS BETWEEN A SINGLE PAIR OF P.C.BOARD.
7. 本製品は55289-***0の鉛フリー製品です。



DO NOT SCALE DRAWING

164 NO. DRWN: CH'K: APPR:		163 NO. DRWN: CH'K: APPR:		162 NO. DRWN: CH'K: APPR:		161 NO. DRWN: CH'K: APPR:		RELEASED 160 NO. J2004-1427 DRWN: K.SUZUKI '03/12/09 CH'K: M.SASAO '03/12/09 APPR: M.SASAO '03/12/09		MATERIAL 材料 注記参照 SEE NOTES		GENERAL TOLERANCES: (UNLESS SPECIFIED) 一般公差		MODEL NO. 55289-***1		DIMENSIONS:		SHT REV			
										FINISH 仕上げ 注記参照 SEE NOTES		10 UNDER 未満 ±0.2 10 OVER 30 UNDER 未満 ±0.25 30 OVER 以上 ±0.3		SCALE -- DESIGN UNITS <input checked="" type="checkbox"/> mm <input type="checkbox"/> INCH		<input checked="" type="checkbox"/> FIRST ANGLE PROJECTION		<input type="checkbox"/> mm <input type="checkbox"/> INCH <input checked="" type="checkbox"/> mm ONLY		<input checked="" type="checkbox"/> REVISE ON CAD ONLY	
										WIRE RANGE 適用電線範囲 //		DRAWN BY & DATE K.SUZUKI '03/12/09		TITLE: 0.5 B-To-B Conn RA WAFER Assy W/NAIL W/LOCK -LEAD FREE-		APPROVED BY & DATE M.SASAO '03/12/09		MOLEX MOLEX INCORPORATED			
										ANGLE 角度 ±3°		CAD FILENAME SD-55289-009.s02		MATERIAL NO. SEE CHART		DRAWING NO. SD-55289-009		SHEET NO. 2 OF 2			
										INS. RANGE 被覆外径 //		THIS DRAWING CONTAINS INFORMATION THAT IS PROPRIETARY TO MOLEX INCORPORATED AND SHOULD NOT BE USED WITHOUT WRITTEN PERMISSION.		SIZE B							

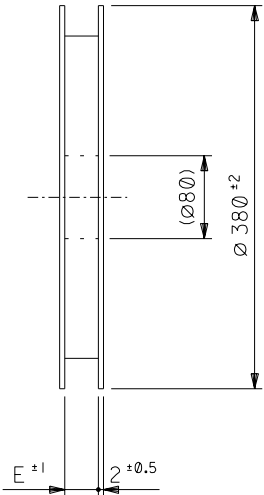
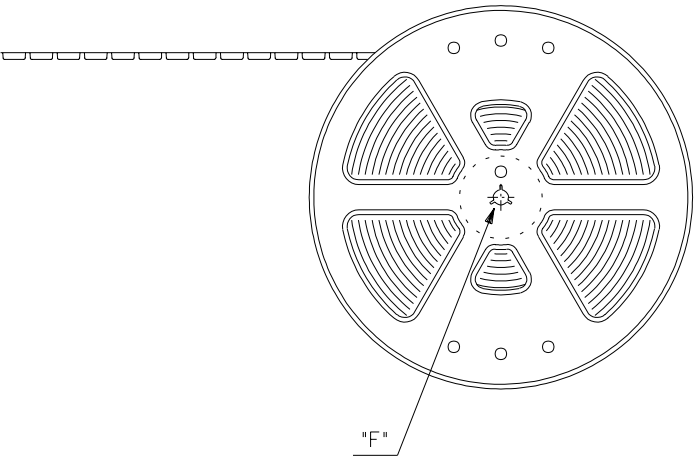
8 7 6 5 4 3 2 1 EN-02J(097) MXJ-54

SD-55289-009.s02

DWG. NO. SD-55289-010

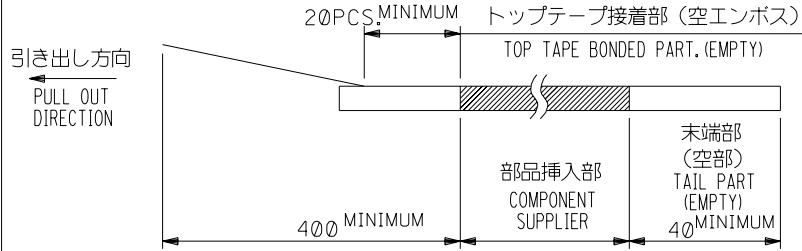
8 7 6 5 4 3 2 1

引き出し方向
PULL OUT
DIRECTION

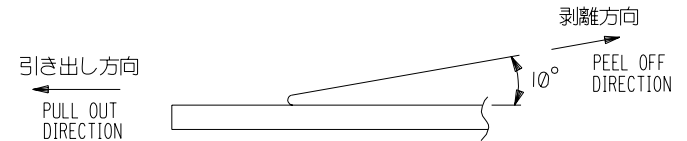


注記 NOTES

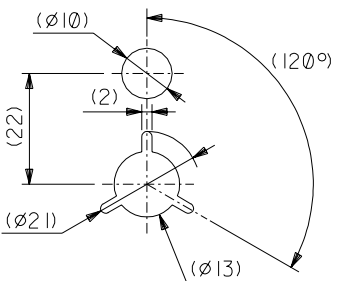
- 製品詳細寸法については図面 SD-55289-009 を参照下さい。
RE DETAILED DIMENSION, SEE SD-55289-009
- 梱包数量：1000個/リール
NUMBER OF CONNECTORS：1000PCS/REEL
- リードテープ長さ LEAD TAPE LENGTH
20PCS MINIMUM



- トップテープの剥離強度：0.1N ~ 1.3N(10gf ~ 130gf)
(剥離方向は下図参照)
尚、本規格値は出荷時に適用。(但し、輸送時に剥離が発生しないこと。)
PEELING OFF FORCE OF TOP TAPE：0.1N ~ 1.3N(10gf ~ 130gf)
(PEELING DIRECTION AS SHOWN IN FOLLOWING FIG.)
THIS REQUIREMENT SHOULD BE APPLIED AT SHIPMENT.
PEEL OFF SHOULD NOT BE ALLOWED, DURING TRANSPORTATION.



- 材料(MATERIAL)
キャリアテープ(CARRIER TAPE)：ポリプロピレン(POLYPROPYLENE)
トップテープ(TOPTAPE)：PET, PE, PEF
リール(REEL)：ポリスチレン(P S) <リサイクル材を含む>
POLYSTYREN(P S) <RECYCLE MATERIAL CONTAINED>
- 本製品は 55289-***9 の鉛フリー製品です。



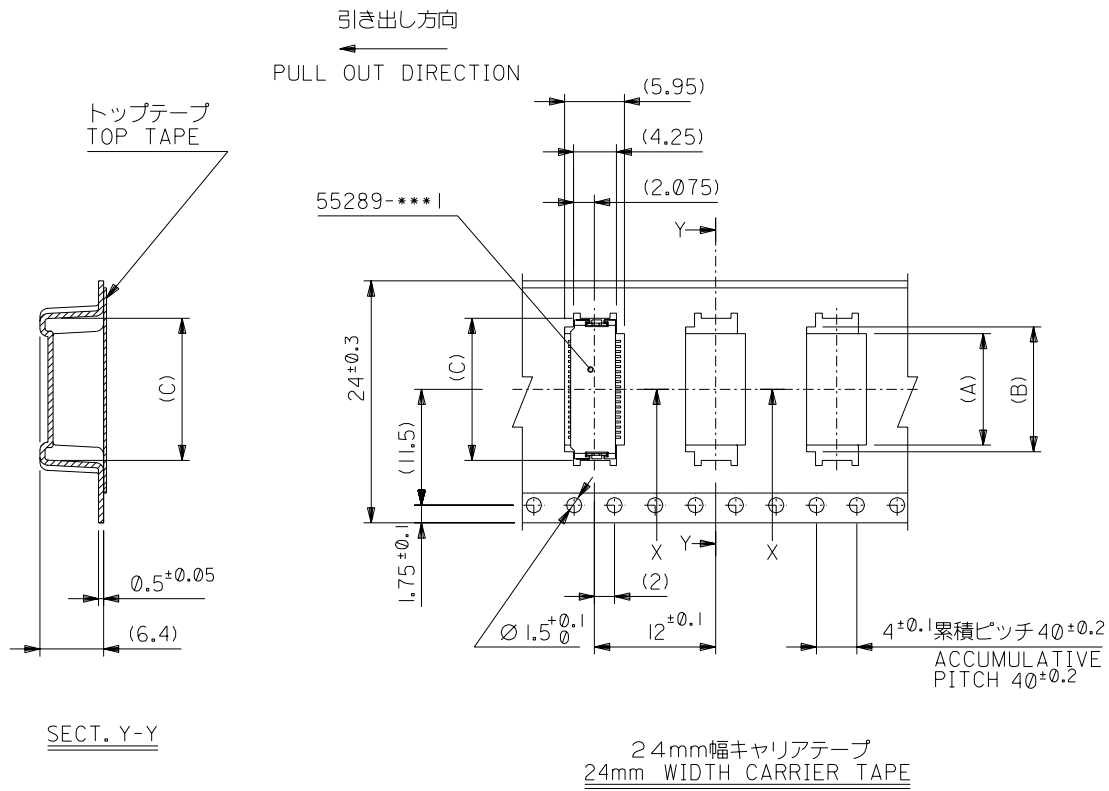
DETAIL "F"

DO NOT SCALE DRAWING

164 NO. DRWN: CH'K: APPR: 163 NO. DRWN: CH'K: APPR: 162 NO. DRWN: CH'K: APPR: 161 NO. DRWN: CH'K: APPR:		160 NO. J2004-1427 DRWN: K.SUZUKI '03/12/09 CH'K: M.SASAO '03/12/09 APPR: M.SASAO '03/12/09 RELEASED	MATERIAL 材料 注記参照 SEE NOTES	GENERAL TOLERANCES: (UNLESS SPECIFIED) 一般公差 10 UNDER 未満 30 UNDER 未満 30 OVER 以上 ANGLE 角度	SCALE 1/1 DESIGN UNITS <input checked="" type="checkbox"/> mm <input type="checkbox"/> INCH DRAWN BY & DATE K.SUZUKI '03/12/09 CHECKED BY & DATE M.SASAO '03/12/09 APPROVED BY & DATE M.SASAO '03/12/09 CAD FILENAME SD-55289-010.S01	MODEL NO. 55289-***8 DIMENSIONS: <input type="checkbox"/> mm <input type="checkbox"/> INCH <input checked="" type="checkbox"/> mm ONLY SHT 1 OF 4 REV TITLE: 0.5 B+B Conn RA WAFER Assy W/NAIL W/LOCK Embstp pkg -LEAD FREE- MOLEX MOLEX INCORPORATED	MATERIAL NO. SEE CHART DRAWING NO. SD-55289-010 SHEET NO. 1 OF 4 SIZE B
WIRE RANGE 適用電線範囲 INS. RANGE 被覆外径		DESCRIPTION FINISH 仕上げ // //	// //	// //	DRAWING CONTAINS INFORMATION THAT IS PROPRIETARY TO MOLEX INCORPORATED AND SHOULD NOT BE USED WITHOUT WRITTEN PERMISSION.	EN-02J(097) MXJ-54	

8 7 6 5 4 3 2 1 EN-02J(097) MXJ-54

DWG. NO. SD-55289-010



24	25.5	14.1	12.4	11.1	55289-0408	40
キャリアテープ幅	E	C	B	A	MATERIAL NO.	極数 CKT

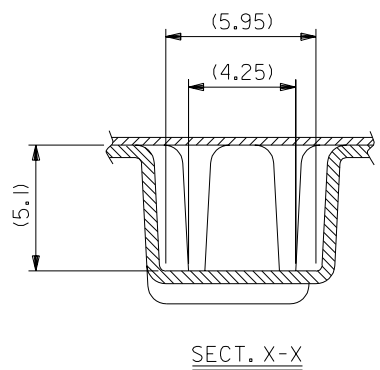
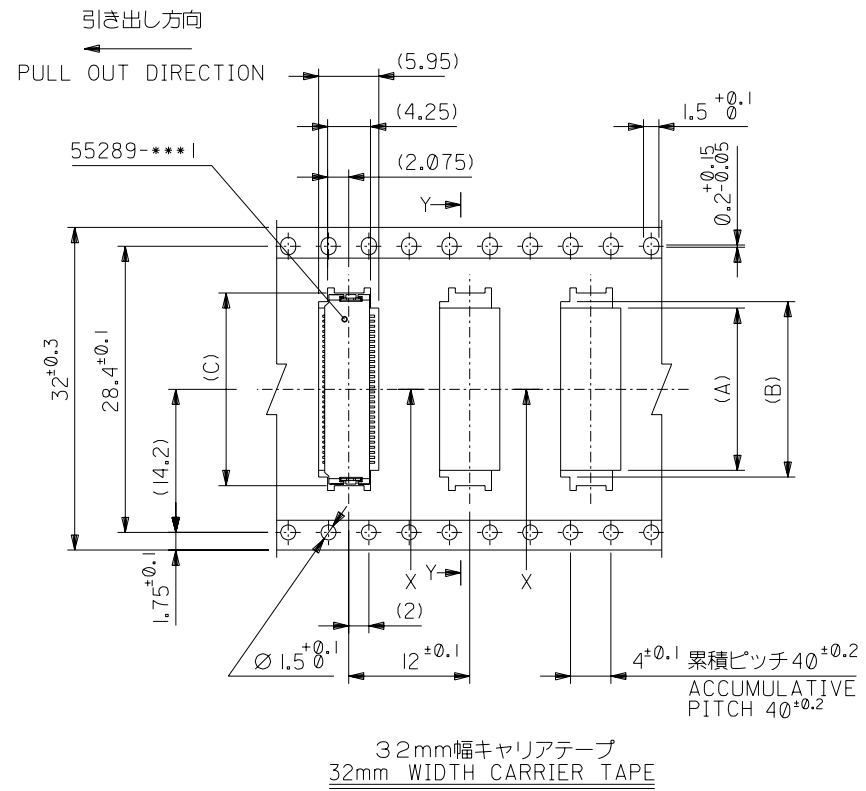
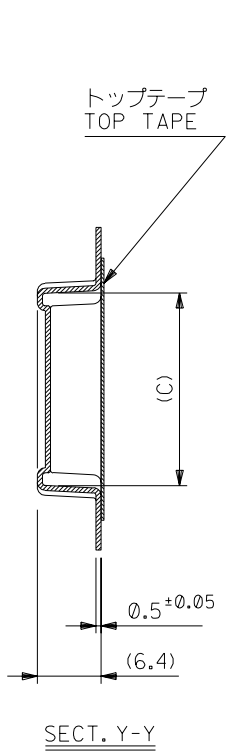
DO NOT SCALE DRAWING

64 NO. DRWN: CH'K: APPR:	63 NO. DRWN: CH'K: APPR:	62 NO. DRWN: CH'K: APPR:	61 NO. DRWN: CH'K: APPR:
-----------------------------	-----------------------------	-----------------------------	-----------------------------

60 NO. J2004-1427 DRWN: K.SUZUKI '03/12/09 CH'K: M.SASAO '03/12/09 APPR: M.SASAO '03/12/09	MATERIAL 材料 注記参照 SEE NOTES
FINISH 仕上げ //	WIRE RANGE 適用線径範囲 //
INS. RANGE 被覆外径 //	DESCRIPTION //

GENERAL TOLERANCES: (UNLESS SPECIFIED) 一般公差	SCALE //	DESIGN UNITS <input checked="" type="checkbox"/> mm <input type="checkbox"/> INCH	SHD ANGLE PROJECTION <input checked="" type="checkbox"/> FIRST ANGLE
10 UNDER 未満 30 UNDER 未満	±0.2 ±0.25	DRAWN BY & DATE K.SUZUKI '03/12/09	TITLE: 0.5 B+B Conn RA WAFER Assy W/NAIL W/LOCK Embstp pkg -LEAD FREE- MOLEX INCORPORATED
30 OVER 以上	±0.3	CHECKED BY & DATE M.SASAO '03/12/09	
ANGLE 角度	±3°	APPROVED BY & DATE M.SASAO '03/12/09	

MODEL NO. 55289-***8	DIMENSIONS: <input type="checkbox"/> mm <input type="checkbox"/> INCH <input checked="" type="checkbox"/> mm ONLY	SHT 2 OF 4	REV 極数 CAD ONLY
CAD FILENAME SD-55289-010.S01	MATERIAL NO. SEE CHART	DRAWING NO. SD-55289-010	SHEET NO. 2 OF 4
THIS DRAWING CONTAINS INFORMATION THAT IS PROPRIETARY TO MOLEX INCORPORATED AND SHOULD NOT BE USED WITHOUT WRITTEN PERMISSION.			SIZE B



32	33.5	19.1	17.4	16.1	55289-0608	60
キャリアテープ幅	E	C	B	A	MATERIAL NO.	極数 CKT

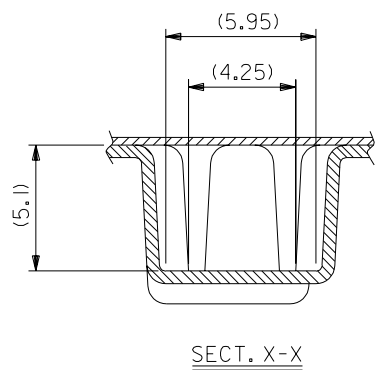
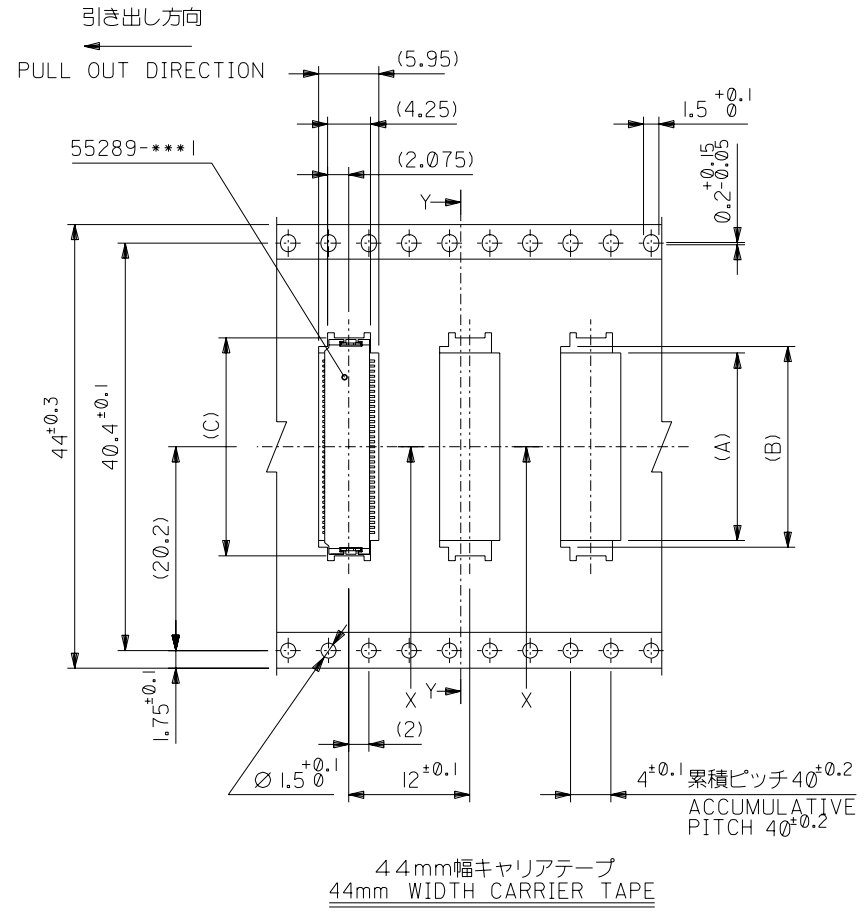
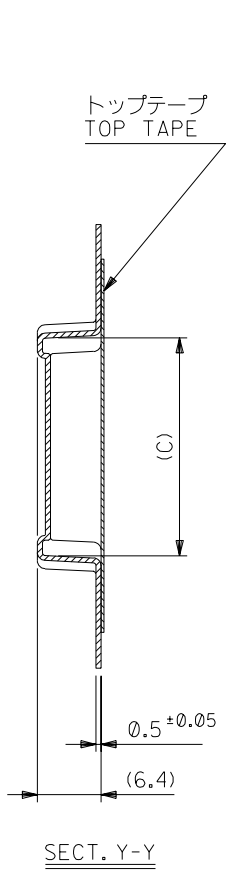
DO NOT SCALE DRAWING

図番 NO. DRAWN: CH'K: APPR:	図番 NO. DRAWN: CH'K: APPR:	図番 NO. DRAWN: CH'K: APPR:	図番 NO. DRAWN: CH'K: APPR:	図番 NO. DRAWN: CH'K: APPR:	図番 NO. J2004-1427 DRAWN: K.SUZUKI '03/12/09 CH'K: M.SASAO '03/12/09 APPR: M.SASAO '03/12/09 RELEASED
------------------------------	------------------------------	------------------------------	------------------------------	------------------------------	--

MATERIAL 材料 注記参照 SEE NOTES	GENERAL TOLERANCES: (UNLESS SPECIFIED) 一般公差	SCALE 1/1 DESIGN UNITS <input checked="" type="checkbox"/> mm <input type="checkbox"/> INCH	MODEL NO. 55289-***8 DIMENSIONS: <input type="checkbox"/> mm <input type="checkbox"/> INCH <input checked="" type="checkbox"/> mm ONLY	SHT 1 REV 0 DIMENSIONAL ANGLE PROJECTION <input checked="" type="checkbox"/> FIRST ANGLE
FINISH 仕上げ //	WIRE RANGE 適用線径範囲 //	10 UNDER 未満 ±0.2 10 OVER 以上 30 UNDER 未満 ±0.25 30 OVER 以上 ±0.3	DRAWN BY & DATE K.SUZUKI '03/12/09 CHECKED BY & DATE M.SASAO '03/12/09 APPROVED BY & DATE M.SASAO '03/12/09	TITLE: 0.5 B+B Conn RA WAFER Assy W/NAIL W/LOCK Embstp pkg -LEAD FREE-
INS. RANGE 被覆外径 //	ANGLE 角度 ±3°	CAD FILENAME SD-55289-010.S03	MOLEX INCORPORATED	MATERIAL NO. SEE CHART DRAWING NO. SD-55289-010 SHEET NO. 3 OF 4

MOLEX INCORPORATED				MATERIAL NO. SEE CHART	DRAWING NO. SD-55289-010	SHEET NO. 3 OF 4
THIS DRAWING CONTAINS INFORMATION THAT IS PROPRIETARY TO MOLEX INCORPORATED AND SHOULD NOT BE USED WITHOUT WRITTEN PERMISSION.						
						SIZE B

DWG. NO. SD-55289-010



DO NOT SCALE DRAWING

44 キャリアテープ幅	45.5	21.6	19.9	18.6	55289-0708	70
					MATERIAL NO.	極数 CKT

MODEL NO.	55289-***8	DIMENSIONS:	SHT	REV		
SCALE	---	<input type="checkbox"/> mm <input type="checkbox"/> INCH <input checked="" type="checkbox"/> mm <input type="checkbox"/> INCH	<input type="checkbox"/> mm <input type="checkbox"/> INCH <input checked="" type="checkbox"/> mm ONLY	<input type="checkbox"/> CAD ONLY		
DESIGN UNITS	<input checked="" type="checkbox"/> mm <input type="checkbox"/> INCH	<input type="checkbox"/> mm <input type="checkbox"/> INCH	TITLE: 0.5 BtB Conn RA WAFER Assy W/NAIL W/LOCK Embstp pkg -LEAD FREE-			
DRAWN BY & DATE K.SUZUKI '03/12/09	CHECKED BY & DATE M.SASAO '03/12/09			MOLEX INCORPORATED		
APPROVED BY & DATE M.SASAO '03/12/09	CAD FILENAME SD-55289-010.S04					
MATERIAL 材料	GENERAL TOLERANCES: (UNLESS SPECIFIED) 一般公差			MATERIAL NO.	DRAWING NO.	SHEET NO.
FINISH 仕上げ	10 UNDER 未満 30 OVER 以上	±0.2 ±0.25 ±0.3	WIRE RANGE 適用電線範囲	SEE CHART	SD-55289-010	4 OF 4
INS. RANGE 被覆外径	ANGLE 角度 ±3°			MOLEX DRAWING CONTAINS INFORMATION THAT IS PROPRIETARY TO MOLEX INCORPORATED AND SHOULD NOT BE USED WITHOUT WRITTEN PERMISSION.		SIZE B

44 キャリアテープ幅	45.5	21.6	19.9	18.6	55289-0708	70
					MATERIAL NO.	極数 CKT
MODEL NO.		55289-***8		DIMENSIONS:		SHT REV
SCALE		---		<input type="checkbox"/> mm <input type="checkbox"/> INCH <input checked="" type="checkbox"/> mm <input type="checkbox"/> INCH		<input type="checkbox"/> mm <input type="checkbox"/> INCH <input checked="" type="checkbox"/> mm ONLY
DESIGN UNITS		<input checked="" type="checkbox"/> mm <input type="checkbox"/> INCH		<input type="checkbox"/> mm <input type="checkbox"/> INCH		<input type="checkbox"/> CAD ONLY
DRAWN BY & DATE		K.SUZUKI '03/12/09		TITLE: 0.5 BtB Conn RA WAFER Assy W/NAIL W/LOCK Embstp pkg -LEAD FREE-		
CHECKED BY & DATE		M.SASAO '03/12/09				
APPROVED BY & DATE		M.SASAO '03/12/09		MOLEX INCORPORATED		
CAD FILENAME		SD-55289-010.S04				
MATERIAL				MATERIAL NO.	DRAWING NO.	SHEET NO.
FINISH		10 UNDER 未満 30 OVER 以上		SEE CHART	SD-55289-010	4 OF 4
INS. RANGE		ANGLE 角度 ±3°		MOLEX DRAWING CONTAINS INFORMATION THAT IS PROPRIETARY TO MOLEX INCORPORATED AND SHOULD NOT BE USED WITHOUT WRITTEN PERMISSION.		