

10 9 8 7 6 5 4 3 2 1

F

E

D

C

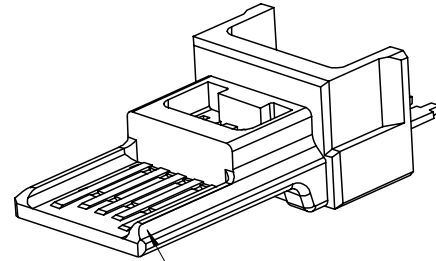
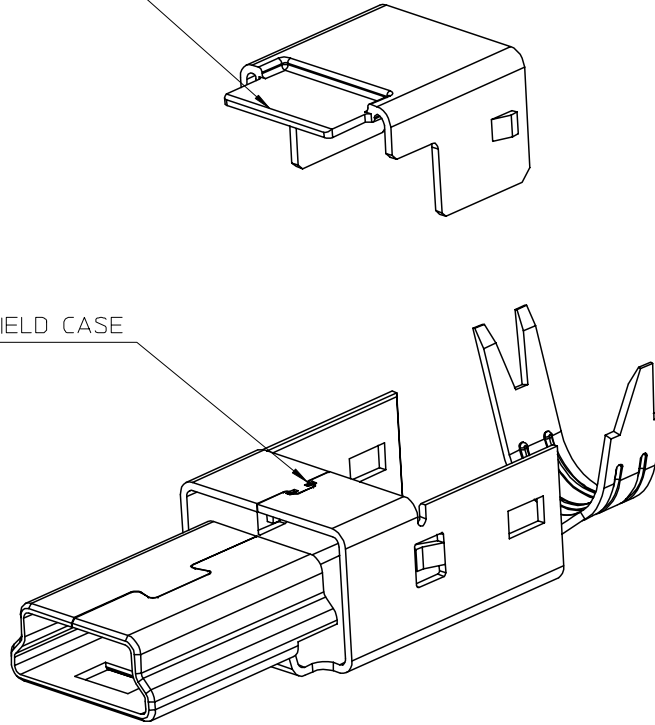
B

A

COVER SHIELD

SHIELD CASE

HOUSING & TERMINAL
SUB-ASSEMBLY



NOTES:

1. MATERIAL:

HOUSING: THERMOPLASTIC POLYESTER, GLASS FILLED, UL94V-0, BLACK.
 TERMINAL: COPPER ALLOY, THICKNESS=0.25mm.
 SHIELD CASE: STEEL, THICKNESS=0.3mm.
 COVER SHIELD: STAINLESS STEEL, THICKNESS=0.3mm.

2. PLATING:

TERMINAL:
 CONTACT: GOLD, 0.76 MICROMETER MINIMUM.
 SOLDER TAIL: PURE TIN, 3.8 MICROMETER MINIMUM.
 UNDER-PLATING: NICKEL, 1.25 MICROMETER MINIMUM.
 SHIELD CASE:
 UNDERPLATING: COPPER, 5.0 MICROMETER MINIMUM.
 NICKEL, 5.0 MICROMETER MINIMUM.
 COVER SHIELD: NONE.

3. THIS PART IS ONLY FOR MINI-USB PLUG KIT.
 4. THESE THREE COMPONENTS SHOULD BE PACKAGED SEPARATELY.

PART NO. OF KIT (47014-0008)		
DESCRIPTION	PART NO.	DRAWING NO.
COVER SHIELD	67546-0000	SD-67546-001
SHIELD CASE	67545-0000	SD-67545-001
HOUSING&TERMINAL SUB-ASSEMBLY	67542-0008	SD-67542-002



REVISED EC NO: SH2006-0858 DRWN:KWEI 2006/07/04 CHKD: IVANOV WANG 2006/07/04 APPR: JNCHEN 2006/07/12	DESCRIPTION
	REV
	B

QUALITY SYMBOLS	▽=0
	▽C=0

GENERAL TOLERANCES (UNLESS SPECIFIED)	mm	INCH
	4 PLACES ± ---	± ---
	3 PLACES ± ---	± ---
	2 PLACES ± 0.15	± ---
	1 PLACE ± 0.2	± ---
	ANGULAR ± 2 °	
DRAFT WHERE APPLICABLE MUST REMAIN WITHIN DIMENSIONS		

DIMENSION STYLE MM ONLY	
DRAWN BY OLZHANG	DATE 2005/03/30
CHECKED BY HARVEY	DATE 2005/03/30
APPROVED BY YTYAP	DATE 2005/03/30
MATERIAL NO.	
SEE CHART	
SIZE A3	

SCALE 1:1	DESIGN UNITS METRIC	THIRD ANGLE PROJECTION
TITLE PLUG KIT FOR MINI USB TYPE B (LEAD-FREE)		
MOLEX INCORPORATED		
DOCUMENT NO. SD-47014-002	SHEET NO. 1 OF 1	
THIS DRAWING CONTAINS INFORMATION THAT IS PROPRIETARY TO MOLEX INCORPORATED AND SHOULD NOT BE USED WITHOUT WRITTEN PERMISSION		

9 8 7 6 5 4 3 2 1