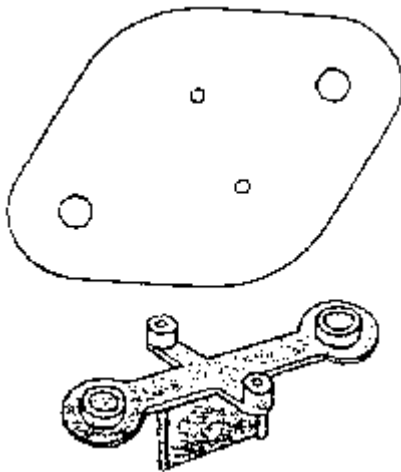
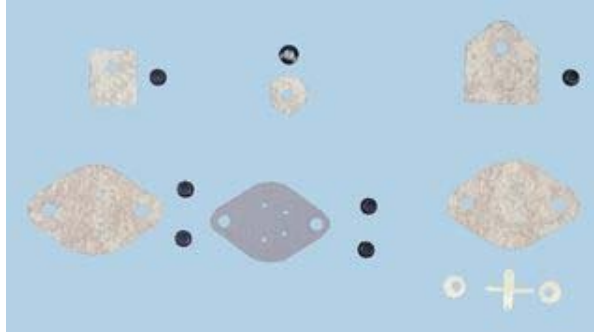
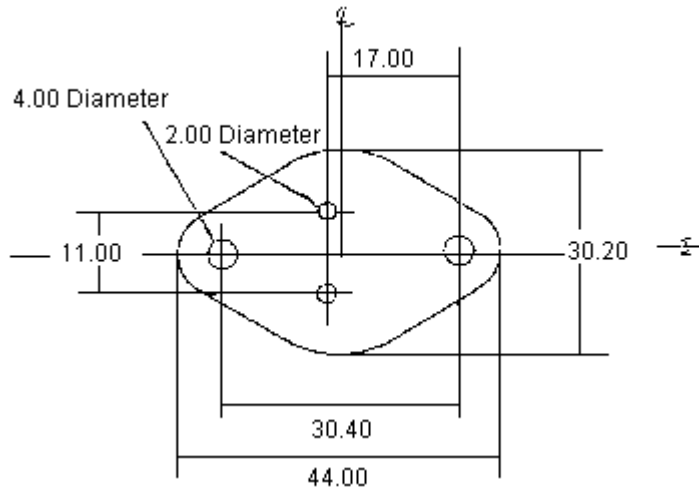




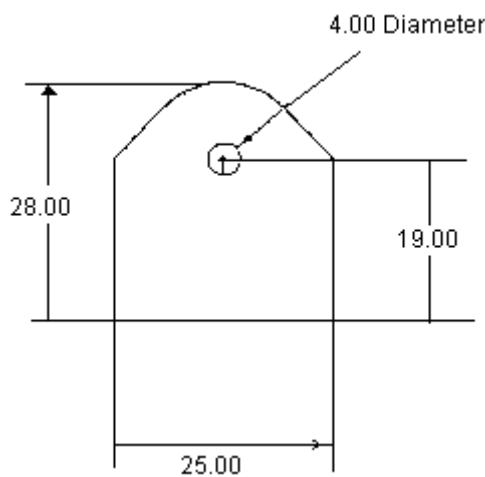
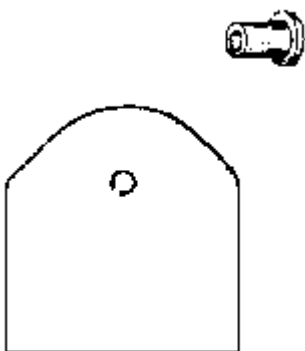
MK3303



MK3305



0.15/0.20 Thickness
Dimensions : Millimetres

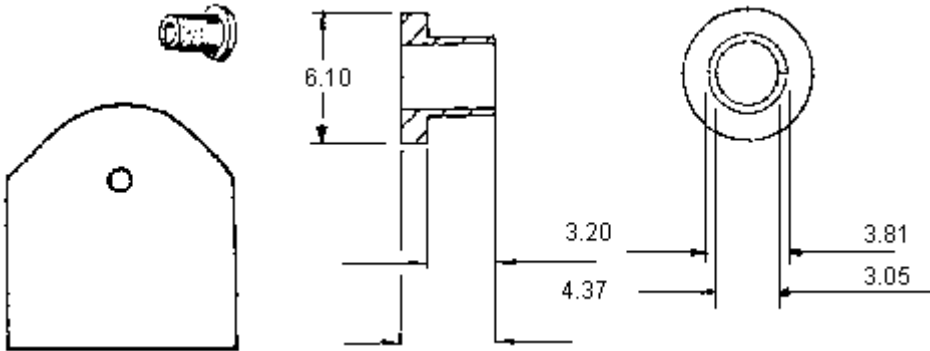


0.08/0.10 Thickness
Dimensions : Millimetres

Insulating Kit



MK3305/S



Dimensions : Millimetres

Specifications

Description	Kit Contents	Part Number
Insulating Kit, MICA TO-3 2KV	Package Outline TO3	MK3303
	Washer	
	Bush	
Insulating Kit, MICA TO-3P/TO-218	Package Outline SOT93	MK3305
	Washer	
	Bush	
Insulating Kit	Package Outline SOT93	MK3305/S
	Washer	
	Bush	

Disclaimer This data sheet and its contents (the "Information") belong to the Premier Farnell Group (the "Group") or are licensed to it. No licence is granted for the use of it other than for information purposes in connection with the products to which it relates. No licence of any intellectual property rights is granted. The Information is subject to change without notice and replaces all data sheets previously supplied. The Information supplied is believed to be accurate but the Group assumes no responsibility for its accuracy or completeness, any error in or omission from it or for any use made of it. Users of this data sheet should check for themselves the Information and the suitability of the products for their purpose and not make any assumptions based on information included or omitted. Liability for loss or damage resulting from any reliance on the Information or use of it (including liability resulting from negligence or where the Group was aware of the possibility of such loss or damage arising) is excluded. This will not operate to limit or restrict the Group's liability for death or personal injury resulting from its negligence. SPC Multicomp is the registered trademark of the Group. © Premier Farnell plc 2009.

<http://www.farnell.com>
<http://www.newark.com>
<http://www.cpc.co.uk>

