

# .070" DIP Sockets

## Shrink DIP



- For DIPs with .070" (1.78 mm) lead spacing
- Pin counts from 28 through 90 leads
- Lever actuated zero insertion force mechanism
- Socket contact point of .090" (2.29 mm) below top surface of socket

Date Issued: June 20, 2001

TS-0366-12  
Sheet 1 of 2

14

---

## Physical

### Insulation

Material: Glass Filled Polysulfone

Flammability: UL 94V-0

Color: Green

**Marking:** 3M Logo & Part Number Identifier

### Contact

Material: Beryllium Copper

Plating: Gold Flash over 50  $\mu$ " (1.3  $\mu$ m) Nickel

---

## Electrical

**Current Rating:** 1 Amp

**Insulation Resistance:**  $> 1 \times 10^9 \Omega$  at 500 Vdc

**Withstanding Voltage:** 1000 Vrms at Sea Level

---

## Environmental

**Operating Temperature Rating:** - 55° C to +150° C

---

## Mechanical

When used as a test socket at room temperature 24° C the socket will last 20,000 actuations.

---

### 3M Electronic Handling and Protection Division

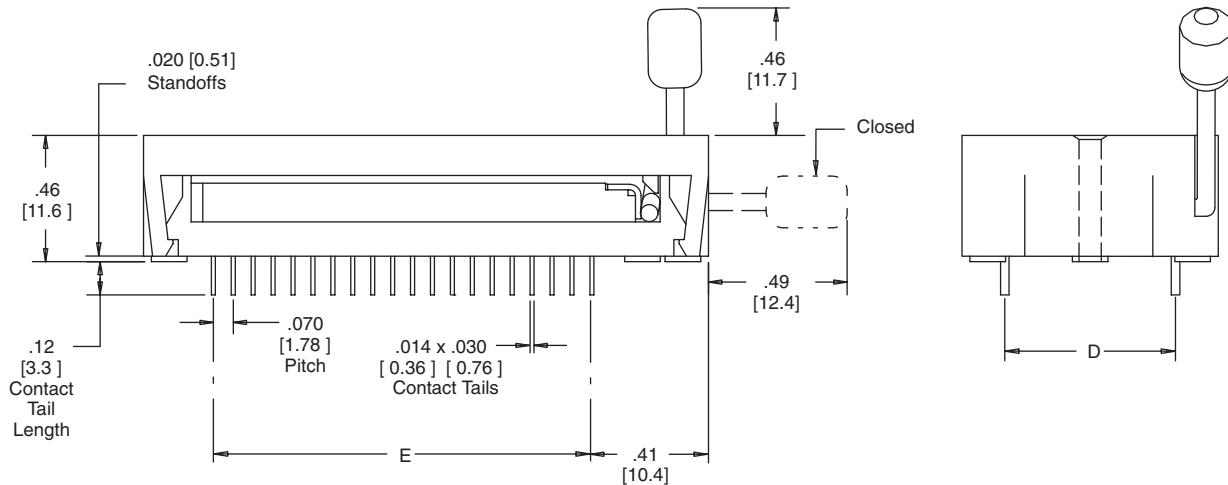
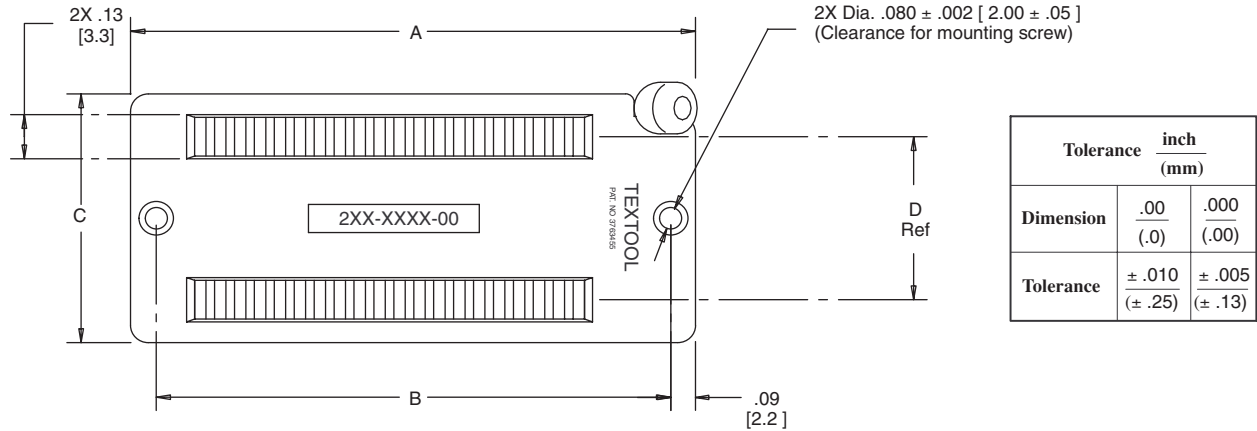
6801 River Place Blvd.  
Austin, TX 78726-9000

For technical, sales or ordering information call **800-328-0411**  
or visit our website: <http://www.3M.com/ehpd>

# .070" DIP Sockets

Shrink DIP

Contact Quantity	Dimensions				
	A	B	C	D	E
28	1.60 [ 40.5]	1.42 [ 36.1]	.70 [ 17.8]	.40 [ 10.16]	.91 [ 23.14]
32	1.73 [ 44.0]	1.56 [ 39.6]	.70 [ 17.8]	.40 [ 10.16]	1.05 [ 26.67]
42	2.10 [ 52.9]	1.90 [ 48.5]	.90 [ 22.9]	.60 [ 15.24]	1.40 [ 35.60]
56	2.57 [ 65.4]	2.40 [ 61.0]	.90 [ 22.9]	.60 [ 15.24]	1.89 [ 48.01]
64	2.90 [ 72.5]	2.68 [ 68.0]	1.10 [ 28.3]	.80 [ 20.70]	2.20 [ 55.18]
90	3.77 [ 95.7]	3.59 [ 91.3]	1.23 [ 31.3]	.90 [ 22.86]	3.08 [ 78.32]



## Ordering Information

Socket Part Number	Contact Quantity	Mating Receptacle Part Number
228-1290-00-0602J	28	228-1290-XX-0602J
232-1291-00-0602J	32	NOT AVAILABLE
242-1293-00-0602J	42	242-1293-XX-0602J
256-1292-00-0602J	56	NOT AVAILABLE
264-1300-00-0602J	64	264-1300-XX-0602J
[1] 290-1294-00-3302J	90	290-1294-XX-0602J

Note:

[1] This socket is available only in black polyetherimide plastic.

Contact Tail Length:

XX = 09 Solder Tail w/ flanges  
= 29 Solder Tail w/out flanges

TS-0366-12  
Sheet 2 of 2

## 3M Electronic Handling and Protection Division

6801 River Place Blvd.  
Austin, TX 78726-9000

For technical, sales or ordering information call 800-328-0411  
or visit our website: <http://www.3M.com/ehpd>