

Specification for BTHQ 240064AVB-FETF-06-LEDMULTI-COG

Version October 2004

VL-FS-COG-BT240064-10 REV. A
(BTHQ 240064AVB-FETF-06-LEDMULTI-COG)
OCT/2004
PAGE 2 OF 15

DOCUMENT REVISION HISTORY 1:

DOCUMENT REVISION FROM TO	DATE	DESCRIPTION	CHANGED BY	CHECKED BY
A	2004.10.20	<p>First Release.</p> <p>Based on</p> <p>a.) VL-TS-COG-BT240064-10 REV.A 2004.09.24</p> <p>b.) VL-TS-QUA-012B REV.W 2004.03.20</p> <p>According to VL-QUA-012B, LCD size is small because Unit Per Laminate=12 which is more than 6pcs/Laminate.)</p>	ZHANG YAN FANG	VIVIAN LUO

VL-FS-COG-BT240064-10 REV. A

(BTHQ 240064AVB-FETF-06-LEDMULTI-COG)

OCT/2004

PAGE 3 OF 15

CONTENTS

	<u>Page No.</u>
1. GENERAL DESCRIPTION	4
2. MECHANICAL SPECIFICATIONS	4
3. INTERFACE SIGNALS	8
4. ABSOLUTE MAXIMUM RATINGS	10
4.1 ELECTRICAL MAXIMUM RATINGS FOR IC ONLY	10
4.2 ENVIRONMENTAL CONDITION	10
5. ELECTRICAL SPECIFICATIONS	11
5.1 TYPICAL ELECTRICAL CHARACTERISTICS	11
5.2 TIMING SPECIFICATIONS	12
6. COMMAND TABLE	14
7. LCD COSMETIC CONDITIONS	15
8. REMARK	15

**Specification
of
LCD Module Type
Model No.: COG-BT240064-10**

1. General Description

- 240 x 64 Dots FSTN Positive Black & White Transflective Dot Matrix LCD Module.
- Viewing Angle: 6 o'clock direction.
- Driving duty: 1/65 Duty, 1/7 bias.
- 'Epson' S1D10605D04B (COG) x 2 Dot Matrix LCD Drivers or equivalent.
- FPC connection.
- Tricolor LED05 backlight.

2. Mechanical Specifications

The mechanical detail is shown in Fig. 1 and summarized in Table 1 below.

Table 1

Parameter	Specifications	Unit
Outline dimensions	120.0(W) x 194.82(H) x 5.5(D) (Included FPC. Excluded housing & cable of backlight)	mm
Viewing area	102.4(W) x 30.22(H)	mm
Active area	98.38(W) x 26.22(H)	mm
Display format	240(W) x 64(H)	dots
Dot size	0.39(W) x 0.39(H)	mm
Dot spacing	0.02(W) x 0.02(H)	mm
Dot pitch	0.41(W) x 0.41(H)	mm
Weight	TBD	grams

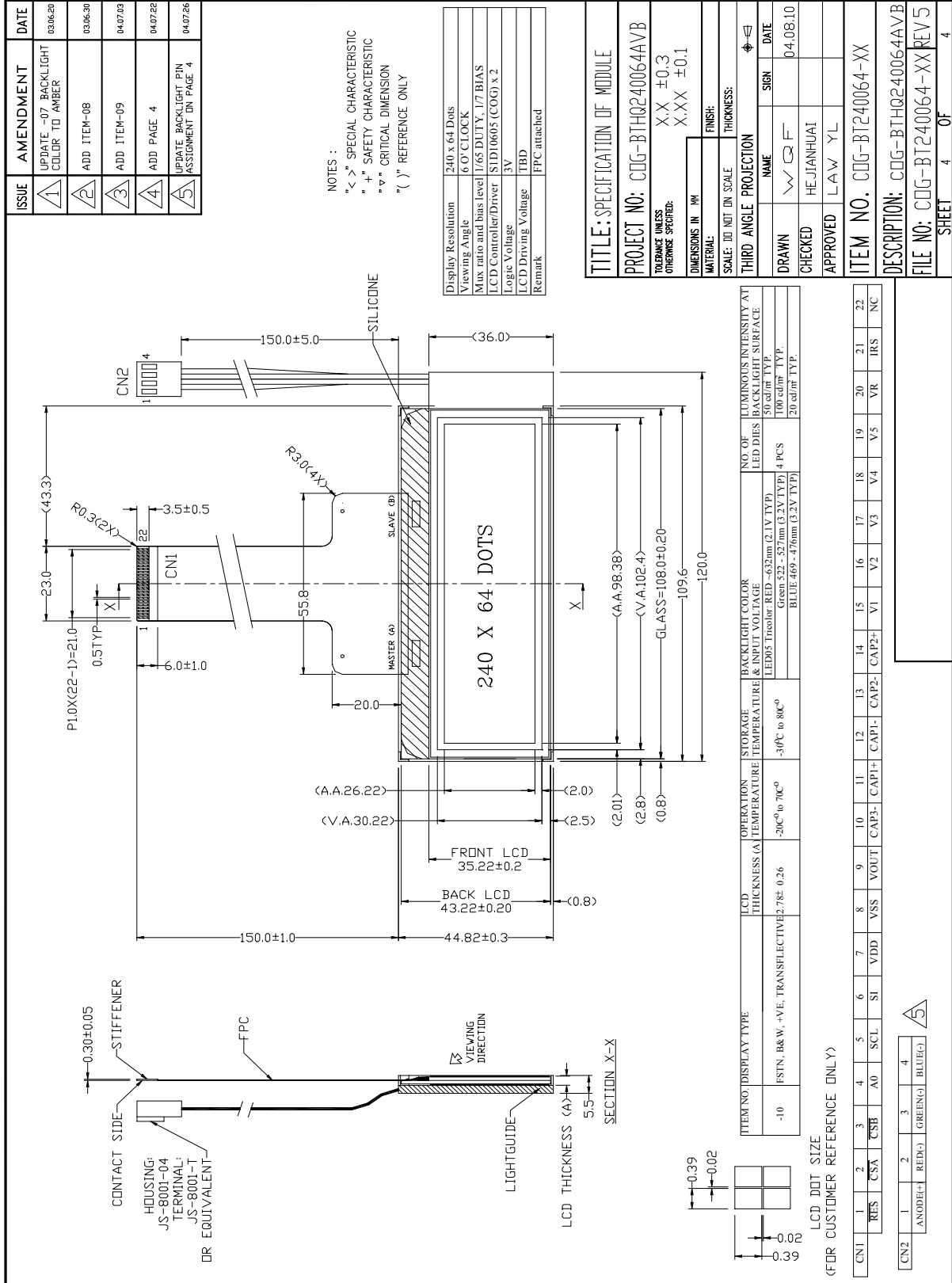


Figure 1: Module Specification

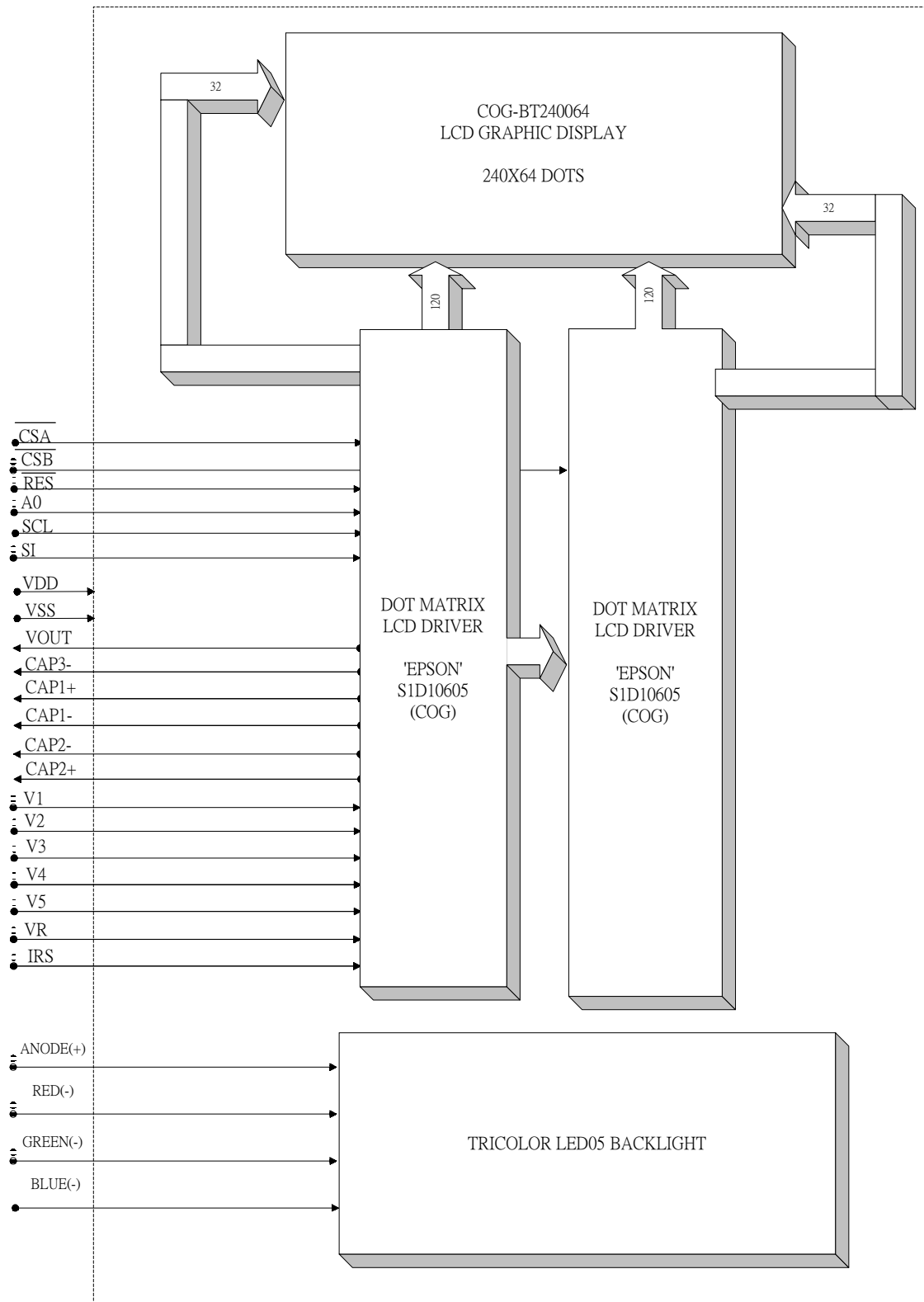


Figure 2: Block Diagram.

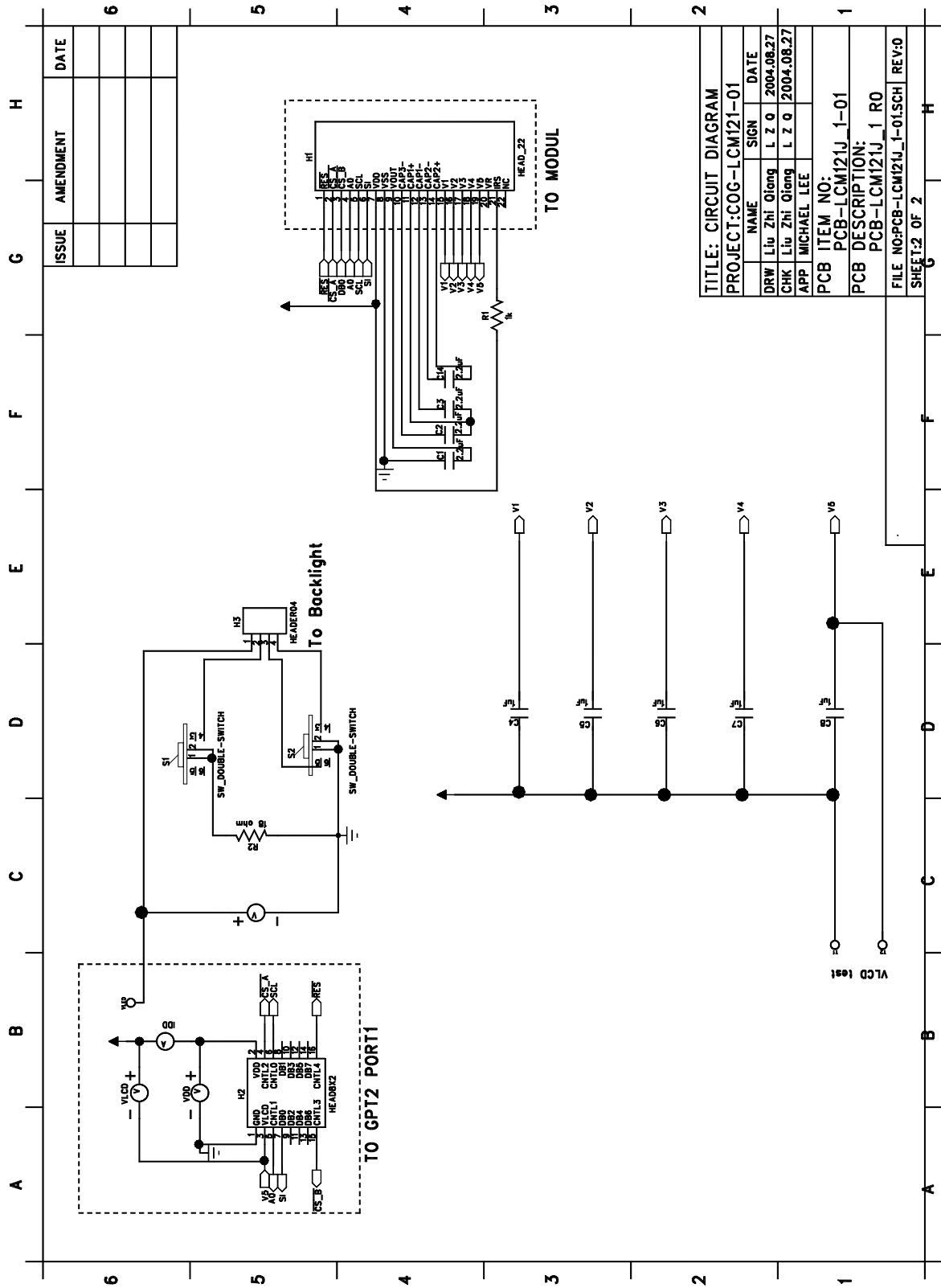


Figure 3: Reference Circuit

3. Interface signals

Table 2(a): Pin Assignment of CN1

Pin No.	Symbol	Description
1	$\overline{\text{RES}}$	When $\overline{\text{RES}}$ is set to Low, the settings are initialized. The reset operation is performed by the RES signal level.
2	$\overline{\text{CSA}}$	This is the chip select signal for first chip. When $\overline{\text{CSA}}(\text{CS1})=\text{“Low”}$ and $\text{CS2}=\text{HIGH}$, then the chip select becomes active and the input/output of data/commands is enabled.
3	$\overline{\text{CSB}}$	This is the chip select signal for second chip. When $\overline{\text{CSB}}(\text{CS1})=\text{“Low”}$ and $\text{CS2}=\text{HIGH}$, then the chip select becomes active and the input/output of data/commands is enabled.
4	A0	This is connect to the least significant bit of the normal MPU address bus, and it determines whether the data bits are data or a command. A0=“High”: Indicates that SCL, and SI are display data. A0=“Low”: Indicates that SCL and SI are control data.
5	SCL	Serial clock input terminal.
6	SI	Serial data input terminal.
7	VDD	Power supply for logic(+3V).
8	VSS	0 V pin connected to the system ground (GND).
9	VOUT	DC/DC voltage converter. Connects a capacitor between this terminal and VSS.
10	CAP3-	DC/DC voltage converter. Connects a capacitor between this terminal and CAP1+ pin.
11	CAP1+	DC/DC voltage converter. Connects a capacitor between this terminal and CAP1- pin.
12	CAP1-	DC/DC voltage converter. Connects a capacitor between this terminal and CAP1+ pin.
13	CAP2-	DC/DC voltage converter. Connects a capacitor between this terminal and CAP2+ pin.
14	CAP2+	DC/DC voltage converter. Connects a capacitor between this terminal and CAP2- pin.
15	V1	This is multi-level power supply for liquid crystal drive. The voltage applied is determined by the liquid crystal cell, and is changed through the use of a resistive voltage divided or through changing the impedance using an op. amp. Voltage levels are determined based on VDD, and must maintain the relative magnitudes shown below. $\text{VDD} (=V0) \geq V1 \geq V2 \geq V3 \geq V4 \geq V5$ Master operation When the power supply turns ON, the internal power supply circuits produce V1 to V4 voltages shown below. The voltage setting are selected using the LCD bias set command. For 1/7 bias: $V1=(1/7) \times V5$, $V2=(2/7) \times V5$, $V3=(5/7) \times V5$, $V4=(6/7) \times V5$.
16	V2	
17	V3	
18	V4	
19	V5	

Table 2(b): Pin Assignment of CN1

Pin No.	Symbol	Description
20	VR	Output voltage regulator terminal. Provides the voltage between VDD and V5 through a resistive voltage divider. These are only enabled when the V5 voltage regulator internal resistors are not used (IRS=LOW). These cannot be used when the V5 voltage regulator resistors are used (IRS=HIGH).
21	IRS	This terminal selects the resistors for the V5 voltage level adjustment. IRS=HIGH: Use the internal resistors. IRS=LOW: Do not use the internal resistors. The V5 voltage level is regulated by an external resistive voltage divider attached to the VR terminal. This pin is enabled only when the master operation mode is selected. It is fixed to either HIGH or LOW when the slave operation mode is selected.
22	NC	No connection.

Table 2(c): Pin Assignment of CN2

Pin No.	Symbol	Description
1	ANODE (+)	Anode of backlight
2	RED (-)	Cathode of backlight
3	GREEN (-)	Cathode of backlight
4	BLUE (-)	Cathode of backlight

4. Absolute Maximum Ratings

4.1 Electrical Maximum Ratings for IC Only

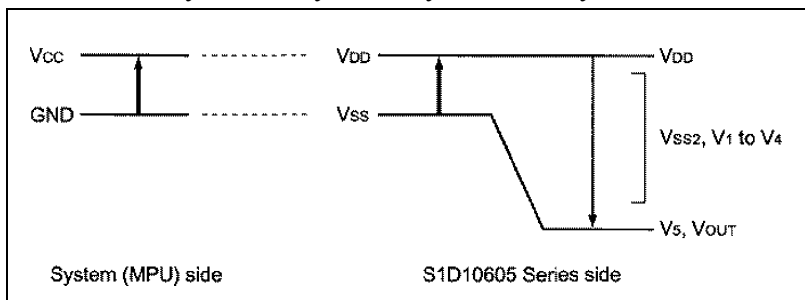
Table 3

Parameter	Symbol	Min.	Max.	Unit
Power Supply voltage (Logic)	VDD-VSS	-0.3	+6.0	V
Power Supply voltage(VSS2)(VDD standard)	VSS2	-4.0	+0.3	V
Power Supply voltage(V5,VOUT)(VDD standard)	V5,VOUT	-18.0	+0.3	V
Power Supply voltage(V1,V2,V3,V4)(VDD standard)	V1,V2,V3,V4	V5	+0.3	V
Input voltage	Vin	-0.3	VDD+0.3	V

Note: 1.) The VSS2, V1 to V5 and VOUT are relative to the VDD=0V reference.

2.) The V1, V2, V3, and V4 voltages must always satisfy the condition of $VDD \geq V1 \geq V2 \geq V3 \geq V4 \geq V5$.

3.) The modules may be destroyed if they are used beyond the absolute maximum ratings.



4.2 Environmental Condition

Table 4

Item	Operating Temperature (Topr)		Storage Temperature (Tstg)		Remark
	Min.	Max.	Min.	Max.	
Ambient Temperature	-20°C	+70°C	-30°C	+80°C	Dry
Humidity	95% max. RH for Ta ≤ 40°C < 95% RH for Ta > 40°C				no condensation
Vibration (IEC 68-2-6) cells must be mounted on a suitable connector	Frequency: 10 ~ 55 Hz Amplitude: 0.75 mm Duration: 20 cycles in each direction.				3 directions
Shock (IEC 68-2-27) Half-sine pulse shape	Pulse duration : 11 ms Peak acceleration: 981 m/s ² = 100g Number of shocks : 3 shocks in 3 mutually perpendicular axes.				3 directions

5. Electrical Specifications

5.1 Typical Electrical Characteristics

At $T_a = +25\text{ }^\circ\text{C}$, $V_{DD} = +3.0\pm 5\%$, $V_{SS} = 0\text{V}$.

Table 5

Parameter	Symbol	Conditions	Min.	Typ.	Max.	Unit
Supply voltage (Logic)	V_{DD-VSS}		2.85	3.0	3.15	V
Supply voltage (LCD) (built-in)	$V_{LCD} = V_{DD-V5}$	$T_a = -20\text{ }^\circ\text{C}$, Character mode $V_{DD} = +3.0\text{V}$, Note 1	-	8.17	-	V
		$T_a = 25\text{ }^\circ\text{C}$, Character mode $V_{DD} = +3.0\text{V}$, Note 1	7.8	8.0	8.2	V
		$T_a = 70\text{ }^\circ\text{C}$, Character mode $V_{DD} = +3.0\text{V}$, Note 1	-	7.34	-	V
Low-level input signal voltage	V_{ILC}	Note 2	V_{SS}	-	$0.2 \times V_{DD}$	V
High-level input signal voltage	V_{IHC}	Note 2	$0.8 \times V_{DD}$	-	V_{DD}	V
Supply Current (Logic & LCD)	IDD	$V_{DD} = +3.0\text{V}$, Note 1, Character mode	-	0.5	0.75	mA
		$V_{DD} = +3.0\text{V}$, Note 1, Checker board mode	-	0.9	1.4	mA
Supply voltage of Tricolor LED05 backlight (RED)	VLED (Red)	Forward current $=60\text{mA}$	-	2.1	-	V
	VLED (Green)		-	3.2	-	V
	VLED (Blue)		-	3.2	-	V
Wavelength (on the backlight surface) of backlight	$\lambda(\text{Red})$	Number of dies $=1 \times 4 = 4$	620	625	630	nm
	$\lambda(\text{Green})$		520	525	530	nm
	$\lambda(\text{Blue})$		470	472	475	nm
Luminance (on the backlight surface) of backlight	(Red)		50	-	-	cd/m^2
	(Green)		100	-	-	cd/m^2
	(Blue)		20	-	-	cd/m^2

Note 1: There is tolerance in optimum LCD driving voltage during production and it will be within the specified range.

Note 2: A0, SCL, SI, CS1, RESET pins.

5.2 Timing Specifications

Reset Timing

At $T_a = -20\text{ }^\circ\text{C}$ to $+70\text{ }^\circ\text{C}$, $V_{DD} = +3.0\text{V} \pm 5\%$, $V_{SS} = 0\text{V}$.

Table 6

Item	Signal	Symbol	Condition	Rating			Units
				Min.	Typ.	Max.	
Reset time		tr		—	—	1	μs
Reset LOW pulse width	RES	trw		1	—	—	μs

Note : All timing is specified with 20% and 80% of VDD as the standard.

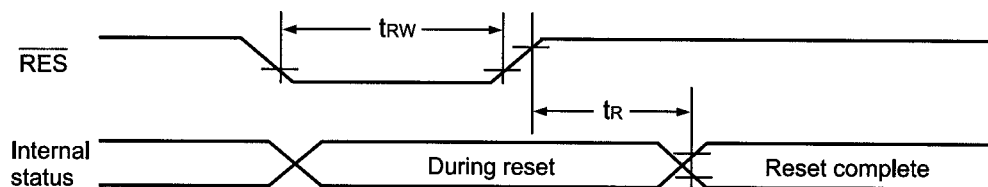


Figure 4: Reset Timing

The serial interface

At $T_a = -20\text{ }^\circ\text{C}$ to $+70\text{ }^\circ\text{C}$, $V_{DD} = +3.0\text{V} \pm 5\%$, $V_{SS} = 0\text{V}$.

Table 7

Item	Signal	Symbol	Condition	Rating		Units
				Min.	Max.	
Serial Clock Period	SCL	tSCYC		250	—	ns
SCL HIGH pulse width		tSHW		100	—	ns
SCL LOW pulse width		tSLW		100	—	ns
Address setup time	A0	tsAS		150	—	ns
Address hold time		tSAH		150	—	ns
Data setup time	SI	tsDS		100	—	ns
Data hold time		tSDH		100	—	ns
CS-SCL time	CS	tcSS		150	—	ns
		tCSH		150	—	ns

Note 1: The input signal rise and fall (tr, tf) are specified at 15ns or less.

Note 2: All timing is specified using 20% and 80% of VDD as the standard.

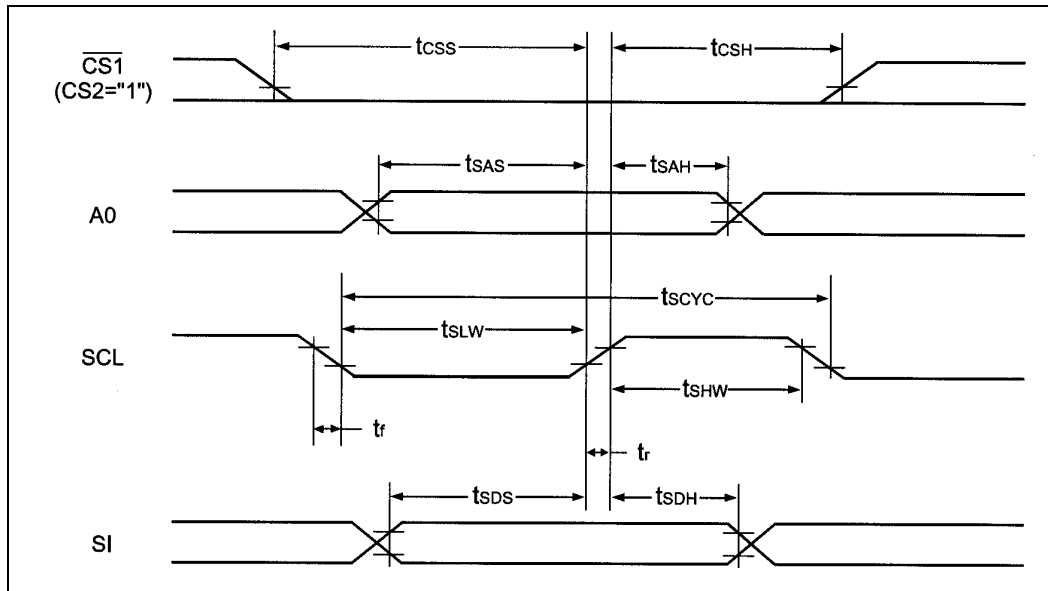


Figure 5: The timing diagram of serial interface

6. Command Table

Table 8

Command	Command Code											Function		
	A0	RD	WR	D7	D6	D5	D4	D3	D2	D1	D0			
(1) Display ON/OFF	0	1	0	1	0	1	0	1	1	1	0	1	LCD display ON/OFF 0: OFF, 1: ON	
(2) Display start line set	0	1	0	0	1	Display start address						1	Sets the display RAM display start line address	
(3) Page address set	0	1	0	1	0	1	1	Page address				0	Sets the display RAM page address	
(4) Column address set upper bit	0	1	0	0	0	0	1	Most significant column address				0	Sets the most significant 4 bits of the display RAM column address.	
Column address set lower bit	0	1	0	0	0	0	0	Least significant column address				0	Sets the least significant 4 bits of the display RAM column address.	
(5) Status read	0	0	1	Status				0	0	0	0	0	1	Reads the status data
(6) Display data write	1	1	0	Write data								0	Writes to the display RAM	
(7) Display data read	1	0	1	Read data								0	Reads from the display RAM	
(8) ADC select	0	1	0	1	0	1	0	0	0	0	0	1	Sets the display RAM address SEG output correspondence 0: normal, 1: reverse	
(9) Display normal/reverse	0	1	0	1	0	1	0	0	1	1	0	1	Sets the LCD display normal/reverse 0: normal, 1: reverse	
(10) Display all points ON/OFF	0	1	0	1	0	1	0	0	1	0	0	1	Display all points 0: normal display 1: all points ON	
(11) LCD bias set	0	1	0	1	0	1	0	0	0	1	0	1	Sets the LCD drive voltage bias ratio S1D10605***** 0: 1/9, 1: 1/7 S1D10606***** /S1D10608***** /S1D10609***** ... 0: 1/8, 1: 1/6 S1D10607***** 0: 1/6, 1: 1/5	
(12) Read/modify/write	0	1	0	1	1	1	0	0	0	0	0	0	Column address increment At write: +1 At read: 0	
(13) End	0	1	0	1	1	1	0	1	1	1	0	0	Clear read/modify/write	
(14) Reset	0	1	0	1	1	1	0	0	0	1	0	0	Internal reset	
(15) Common output mode select	0	1	0	1	1	0	0	0	*	*	*	1	Select COM output scan direction 0: normal direction, 1: reverse direction	
(16) Power control set	0	1	0	0	0	1	0	1	Operating mode			0	Select internal power supply operating mode	
(17) Vs voltage regulator internal resistor ratio set	0	1	0	0	0	1	0	0	Resistor ratio			0	Select internal resistor ratio (Rb/Ra) mode	
(18) Electronic volume mode set	0	1	0	1	0	0	0	0	0	0	0	1	Set the Vs output voltage electronic volume register	
Electronic volume register set	0	1	0	*	*	Electronic volume value						0		
(19) Static indicator ON/OFF	0	1	0	1	0	1	0	1	1	0	0	1	0: OFF, 1: ON	
Static indicator register set	0	1	0	*	*	*	*	*	*	Mode	0	1	Set the flashing mode	
(20) Power saver													Display OFF and display all points ON compound command	
(21) NOP	0	1	0	1	1	1	0	0	0	1	1	1	Command for non-operation	
(22) Test	0	1	0	1	1	1	1	*	*	*	*	*	Command for IC test. Do not use this command	

(Note) *: disabled data

VL-FS-COG-BT240064-10 REV. A
(BTHQ 240064AVB-FETF-06-LEDMULTI-COG)
OCT/2004
PAGE 15 OF 15

7. LCD Cosmetic Conditions

- a.) Reference document follow VL-QUA-012B.
- b.) LCD size of the product is small.

8. Remark

- a.) Identification labels will be stuck on the module without obstructing the viewing area of display.
- b.) Data Modul does not responsible for any polarizer defect after the protective film has been removed from the display.