

378-4514

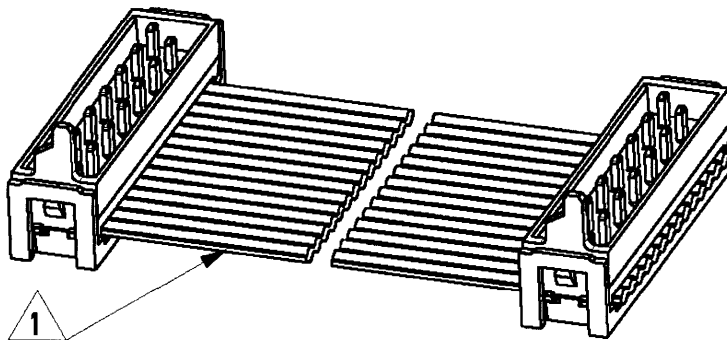
THIS DRAWING IS A CONTROLLED DOCUMENT FOR Tyco Electronics Nederland B.V.
IT IS SUBJECT TO CHANGE AND THE CONTROLLING ENGINEERING ORGANIZATION SHOULD BE CONTACTED FOR THE LATEST REVISION.

LOC	DIST	LTR	REVISION RECORD	DATE	APVD
H	-	A	EH00-1269-01	08/11/01	HS
-	-	-	-	-	-
-	-	-	-	-	-

1 WIRE RED MARKED

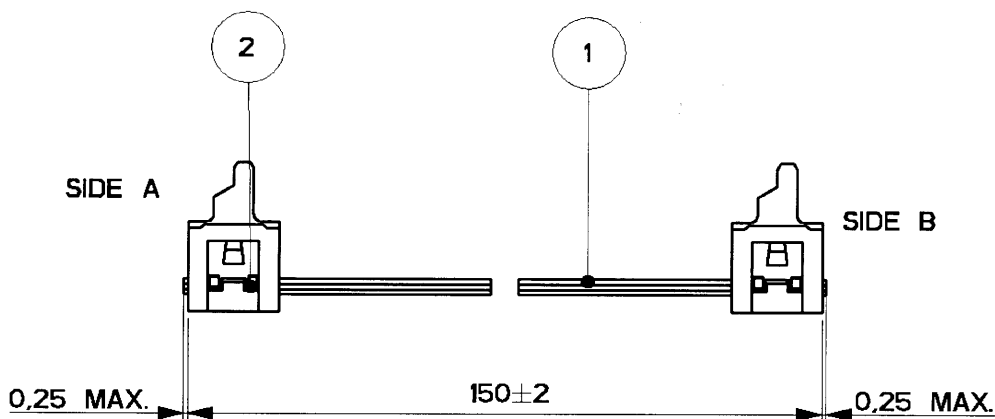
2 ASSEMBLIES ARE PACKAGED ACCORDING PACKAGING SPEC 107-19582

SIDE A



SIDE B

SIDE A



SIDE B

Item no.	Description	Q'TY
2	MALE ON WIRE CONNECTOR	2
1	BULK WIRE FLAT RIBBON CABLE	1

THIS DRAWING IS UNPUBLISHED.

COPYRIGHT

DATE: -

By Tyco Electronics Nederland B.V.

DIMENSIONS: mm	DWN	H.Spelde	MATERIAL	FINISH
	CHK	H Spelde	AMP Tyco Electronics Nederland B.V. 'S-HERTOGENBOSCH, THE NETHERLANDS	
TOLERANCES UNLESS OTHERWISE SPECIFIED:	APVD	E. Leijtens		
0 PLC ± -	PRODUCT SPEC	-	SIZE	CAGE CODE
1 PLC ± -	APPLICATION SPEC	-	A4	00779
2 PLC ± -	WEIGHT	-	DRAWING NO	
3 PLC ± -			C-1483355-2	
4 PLC ± -			CUSTOMER DRAWING	
ANGLES ± -			SCALE	5:2
			SHEET	1 OF 1
			REV	A