

MTG-GL-169

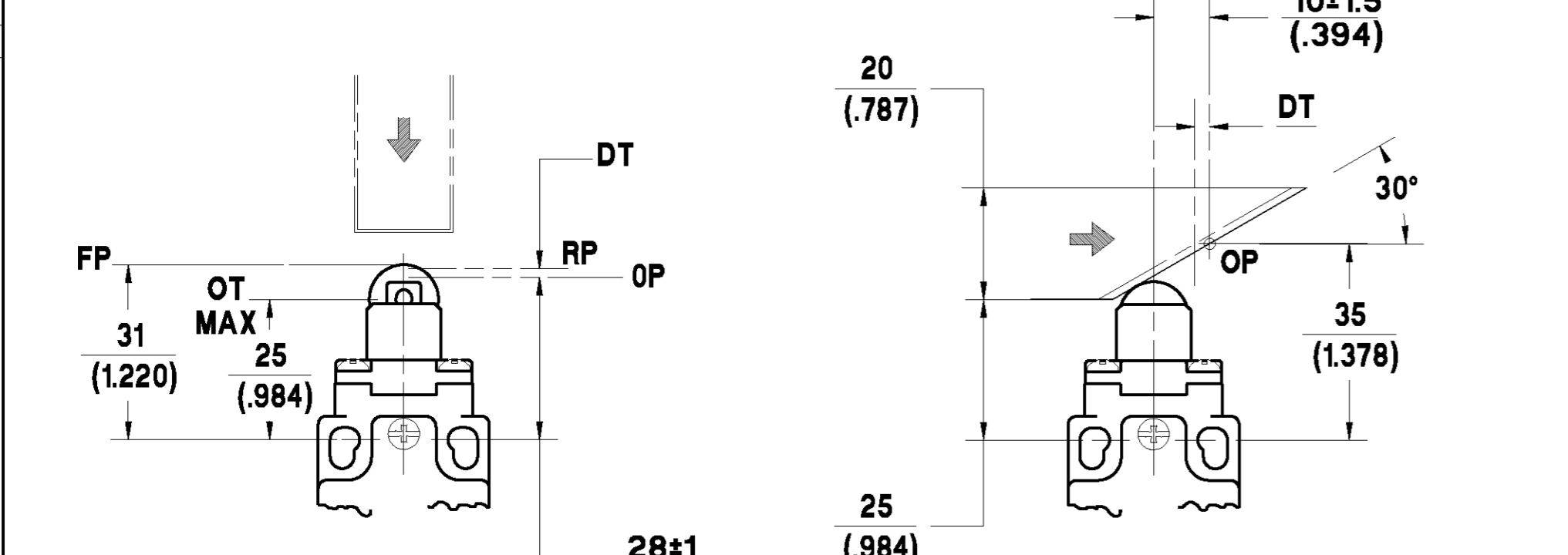
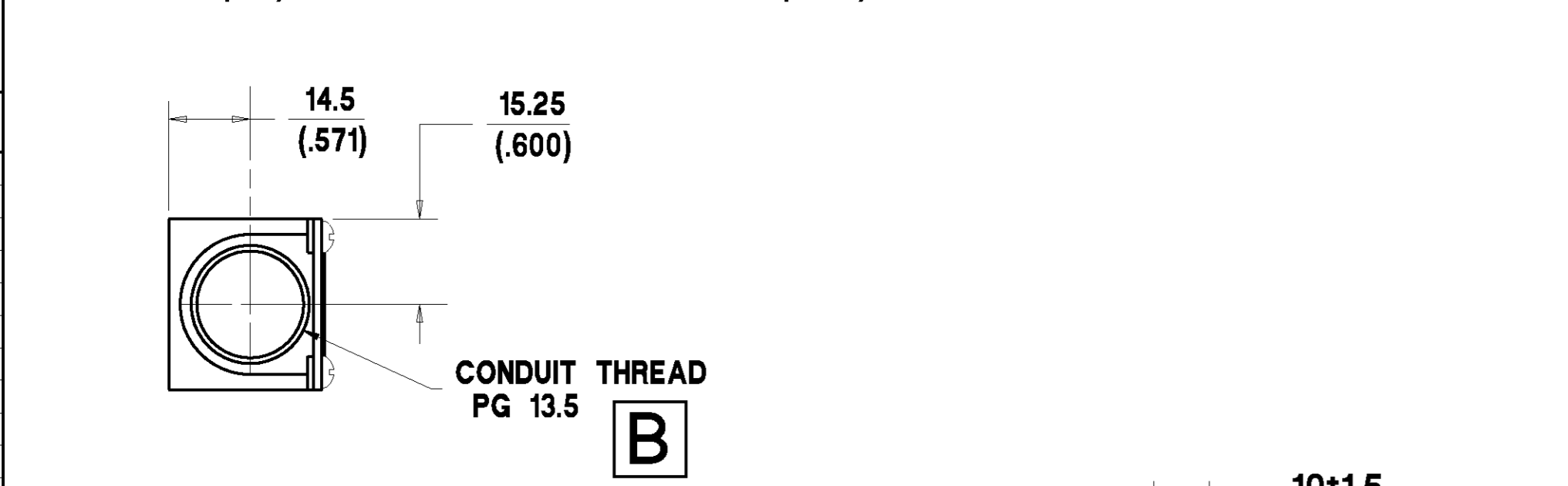
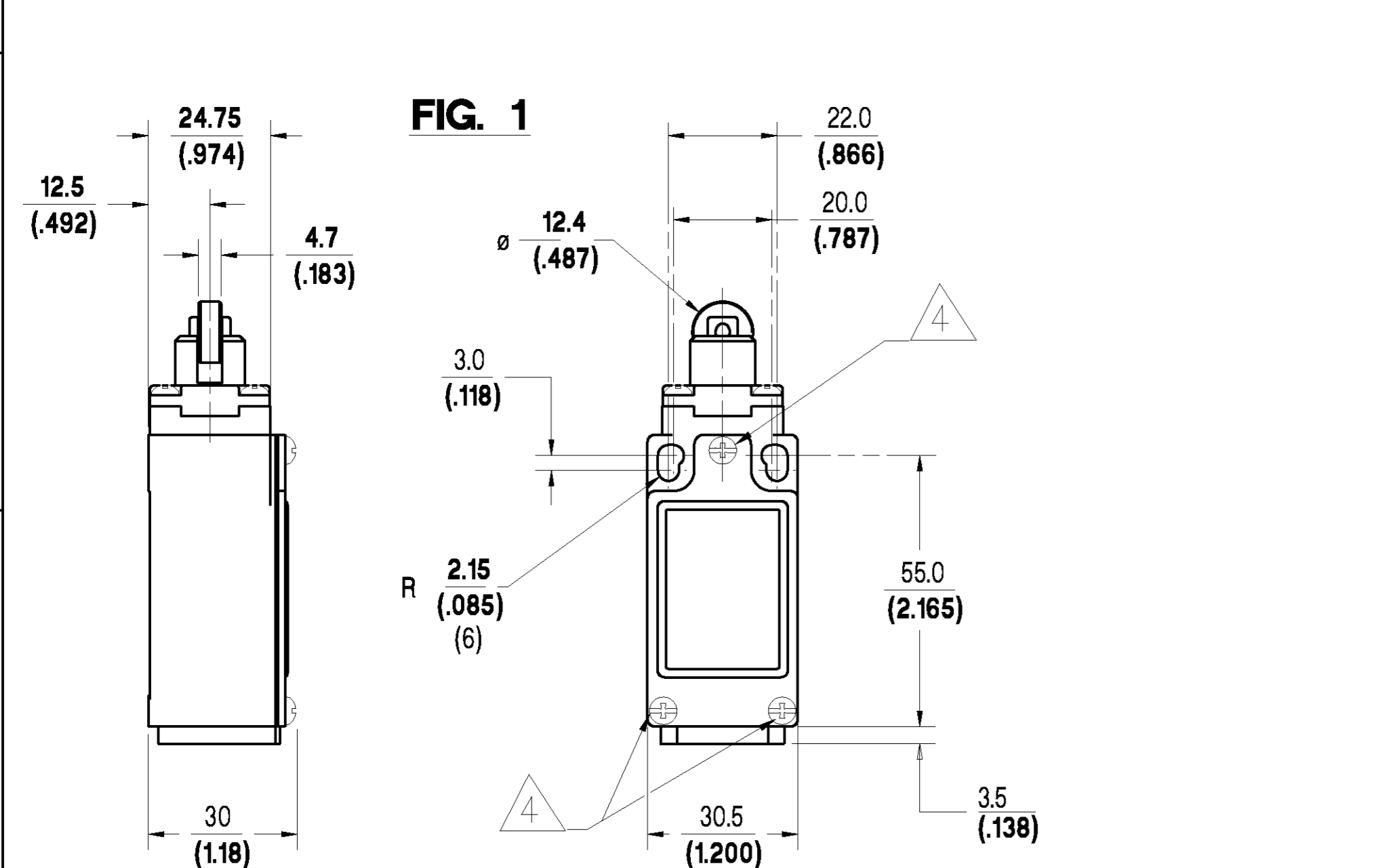
REPLACES
DRAWING NUMBER
AO1B-170

REVISIONS

6	9/96
7	12/96
8	7/97
9	8/97
10	CO/395
11	WEIR 6/98

DRAWN: M. LOCH
CHECK: I. WEIR
DESIGN: J. BOYD
AUTHOR: P. TRICKETT

Honeywell **LIMIT SWITCH** **GLS**
CHART NO. **MTG-GL-169**



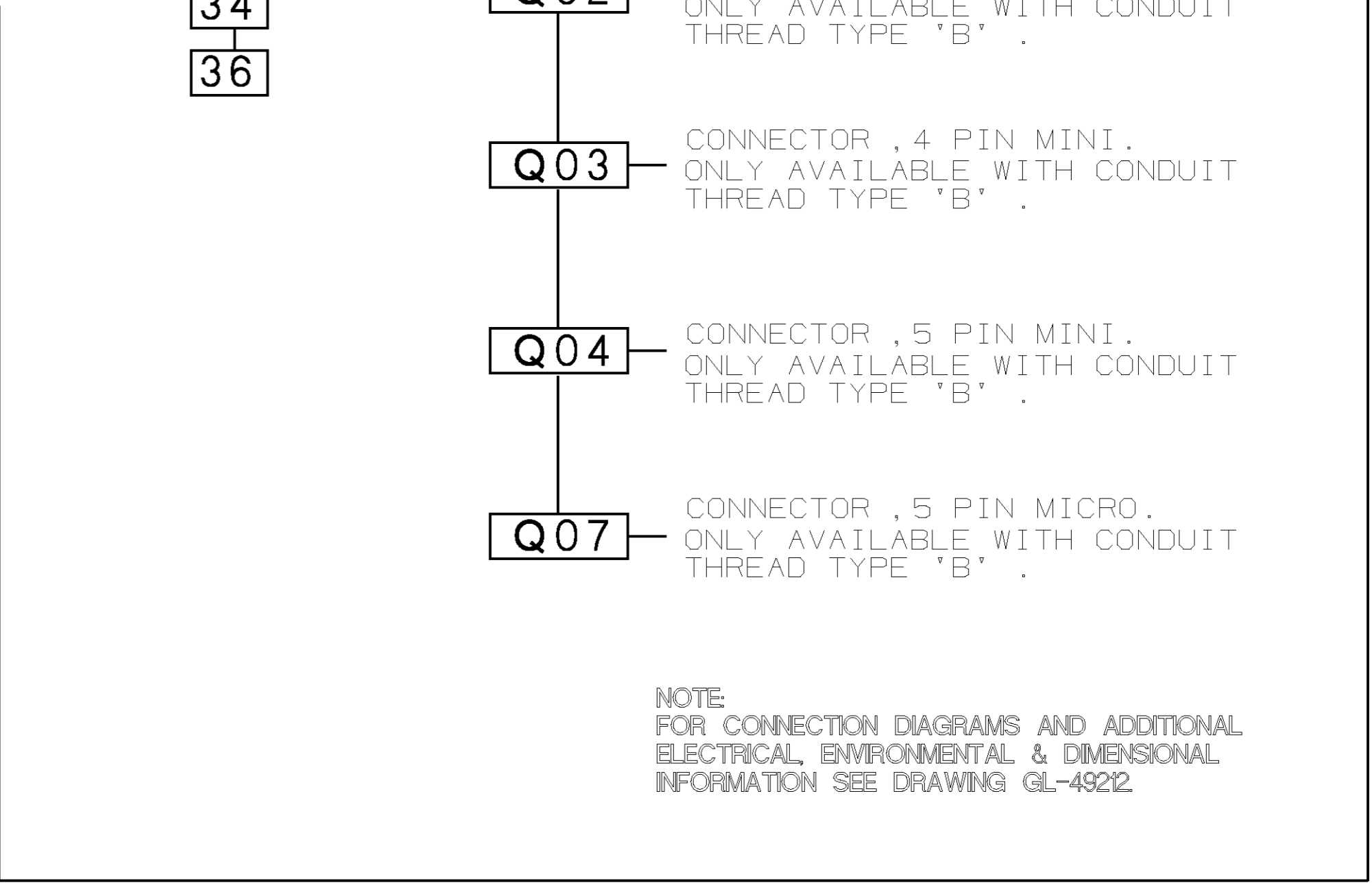
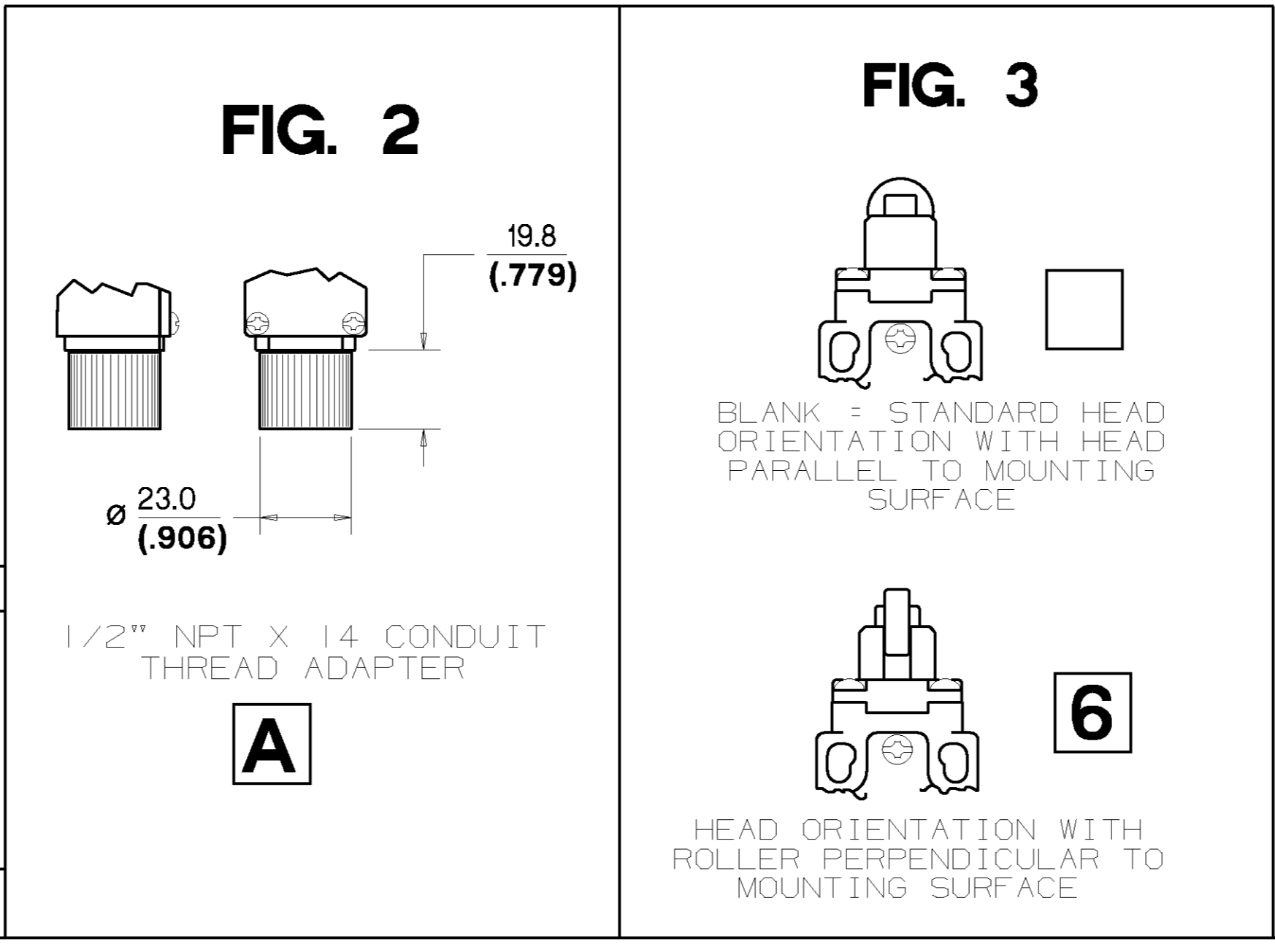
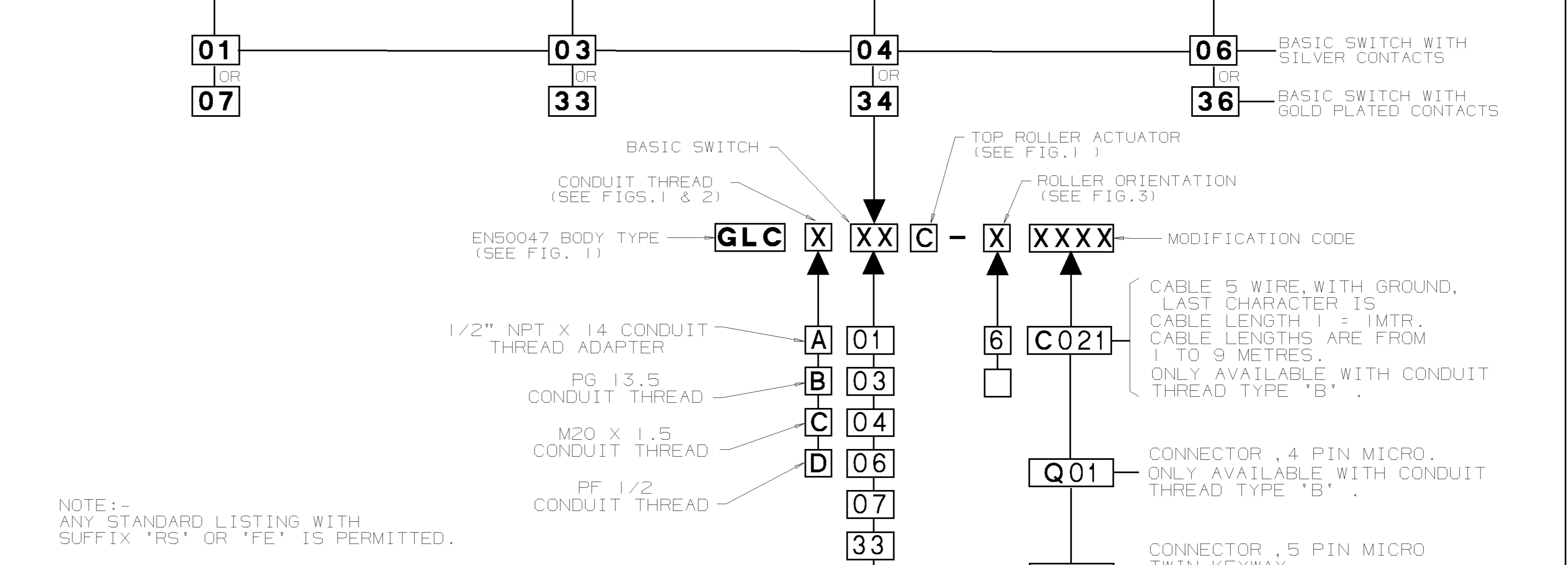
NOTES:-

- ZINC DIECAST BODY AND HEAD WITH STEEL COVER. BODY AND COVER FINISHED IN MICRO SWITCH BLUE EPOXY PAINT. HEAD FINISHED IN BLACK EPOXY PAINT.
- MINIMUM OPERATING VELOCITY (V_{min}) = 1.0 MM/S
MAXIMUM OPERATING VELOCITY (V_{max}) = 100 MM/S
MAXIMUM OPERATING FREQUENCY (F_{max}) = 250 OPS/MIN
(THESE LIMITS APPLY TO CAM OPERATION AS SHOWN IN THE ABOVE DIAGRAMS ONLY)
- FREE POSITION (FP), OPERATING POINT (OP), OVERTRAVEL (OT) AND PRETRAVEL (PT) ALL TO EN50047.
MAXIMUM TIGHTENING TORQUE FOR FIXING SCREW = 0.5Nm (4.4in.LB)

NO CHANGES CAN BE MADE TO THIS DRAWING WITHOUT JOINT NEWHOUSE/FREEPORT APPROVAL

STANDARD SILVER CONTACTS		GOLD PLATED CONTACTS		ENVIRONMENTAL		APPROVALS	
ELECTRICAL RATING		ELECTRICAL RATING		ENVIRONMENTAL		APPROVALS	
AC	DC	I _{th} = 10A		IP66 NEMA 1, 4, 12, 13		UL	
A300 U _e 1e	O300 DC13 U _e 1e	IV 10μA MIN. 50V 100mA MAX.		TEMP RANGE : -25°C TO 85°C -13°F TO 185°F		IEC 947-5-1	
VOLTS AMPS 120 6 240 3	VOLTS AMPS 125 0.55 250 0.27			STORAGE : -40°C TO 85°C -40°F TO 185°F		EN50047	
				SHOCK : 50G PER IEC 68-2-27			
				VIBRATION : 10G PER IEC 68-2-6			
THE COPYRIGHT OF THIS DRAWING IS THE PROPERTY OF HONEYWELL LTD. THE DRAWING IS SUPPLIED IN CONFIDENCE AND MUST NOT BE USED FOR ANY PURPOSE OTHER THAN THAT FOR WHICH IT IS SUPPLIED.		THIRD ANGLE PROJECTION		SCALE 1:1		DIMENSIONS ARE IN MM/INCHES.	

SNAP-ACTION CONTACTS	SLOW-ACTION CONTACTS (BREAK BEFORE MAKE)	SLOW-ACTION CONTACTS (MAKE BEFORE BREAK)	SLOW-ACTION CONTACTS (2 NORMALLY CLOSED)	CONTACT BLOCK DIAGRAM TERMINAL DESIGNATION TO EN 50013
				NOMINAL TRAVELS AND RELATED TERMINALS CONTACT CLOSED CONTACT OPEN * POSITIVE OPENING TO IEC 947-5-1-3
16 (3.6)	14 (3.2)	16 (3.6)	13 (2.9)	NORMAL OPERATING FORCE MAX N (lbf)
23 (5.2)	24 (5.4)	27 (6.1)	23 (5.2)	MAXIMUM DISCONNECT FORCE N (lbf)



NOTE FOR CONNECTION DIAGRAMS AND ADDITIONAL ELECTRICAL, ENVIRONMENTAL & DIMENSIONAL INFORMATION SEE DRAWING GL-49212