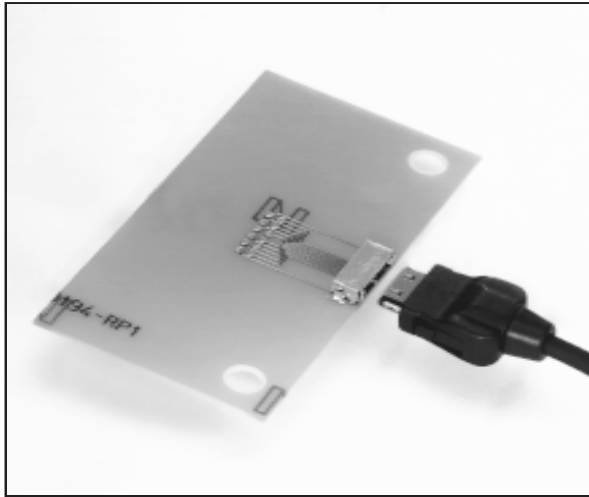


DA1 SERIES CONNECTORS

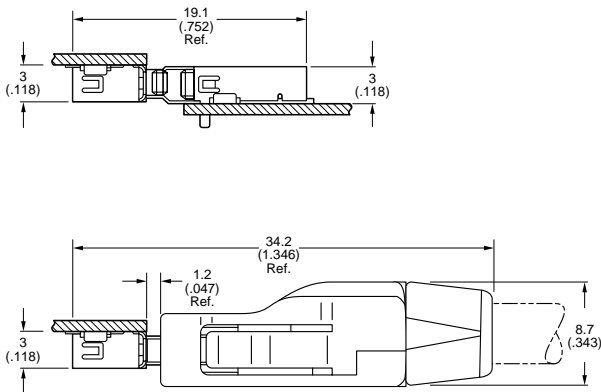
0.6mm (.024") Contact Spacing, PCB-to-Cable Connectors



FEATURES

- Mating height 3mm (.01"), mounting space reduced, 0.6mm (.024") pitch single line SMT interface connector
- Metal shell provides shielding against EMI and static electricity
- Side locking system
- Board mounting plug for cradle (catcher) available for 18 contact version
- Receptacles and cradles available in embossed tape for automatic SMT mounting

Connector Profile (Ref.)



DA1 Series connectors are low profile SMT compact interface connectors for use in compact and slim mobile information terminal devices such as PDAs, HPCs, and notebook PCs.

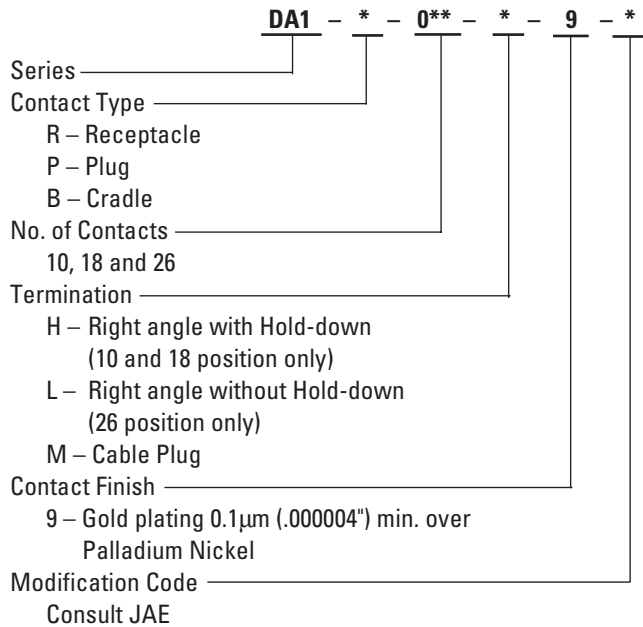
GENERAL SPECIFICATIONS

Number of Contacts	10, 18, and 26
Contact Spacing	0.6mm (.024")
Current Rating	0.5 Amps
Dielectric Withstanding Voltage	250 VAC r.m.s. (one minute)
Insulation Resistance	100 megohms min.
Contact Resistance	50 milliohms max.
Operating Temperature	-25°C +75°C
Applicable Wire Sizes	AWG #28 max.

MATERIALS AND FINISHES

Description	Materials/Finishes
Insulator	Nylon (UL94V-0, Black)
Pin Contact	Copper Alloy, Gold plating over lead-nickel
Lead Contact	Tin-lead plating
Shell	Steel, Nickel plating

ORDERING INFORMATION



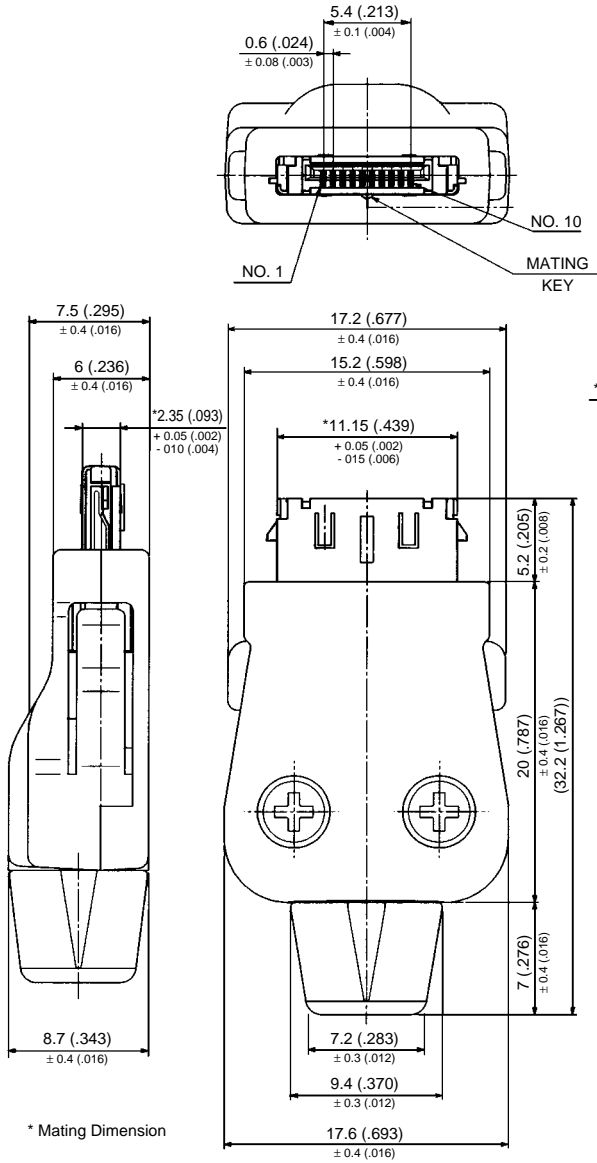
Dimensions and specifications subject to change without notice.

DA1 SERIES CONNECTORS

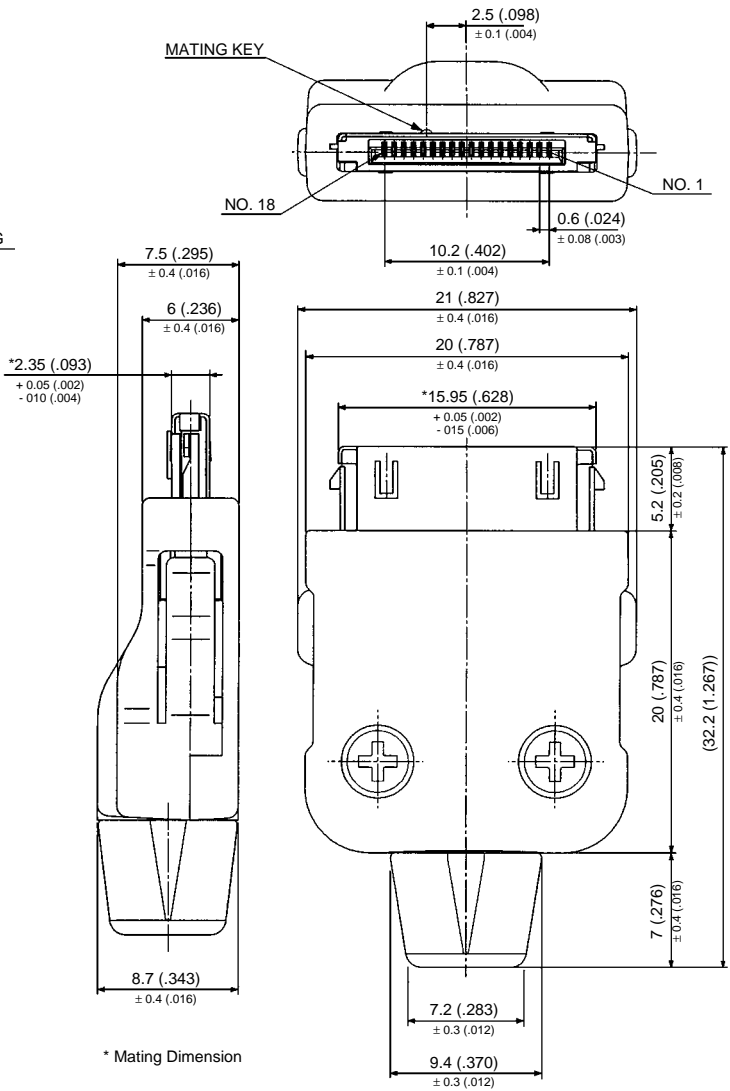
0.6mm (.024") Contact Spacing, PCB-to-Cable Connectors

PLUG CONNECTORS

Part Number: DA1P010M94



Part Number: DA1P018M91



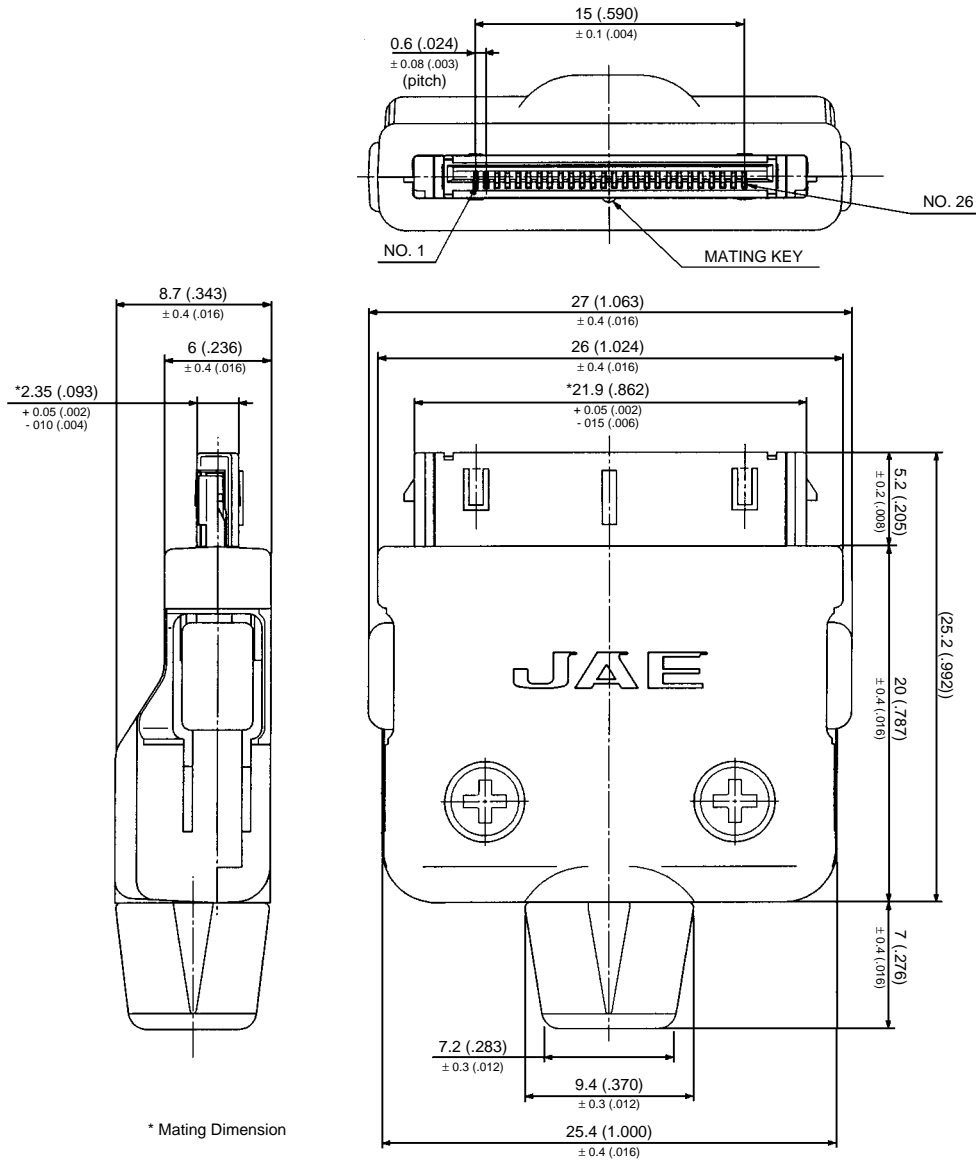
Dimensions in mm (inches).

DA1 SERIES CONNECTORS

0.6mm (.024") Contact Spacing, PCB-to-Cable Connectors

PLUG CONNECTORS

Part Number: DA1P026M92

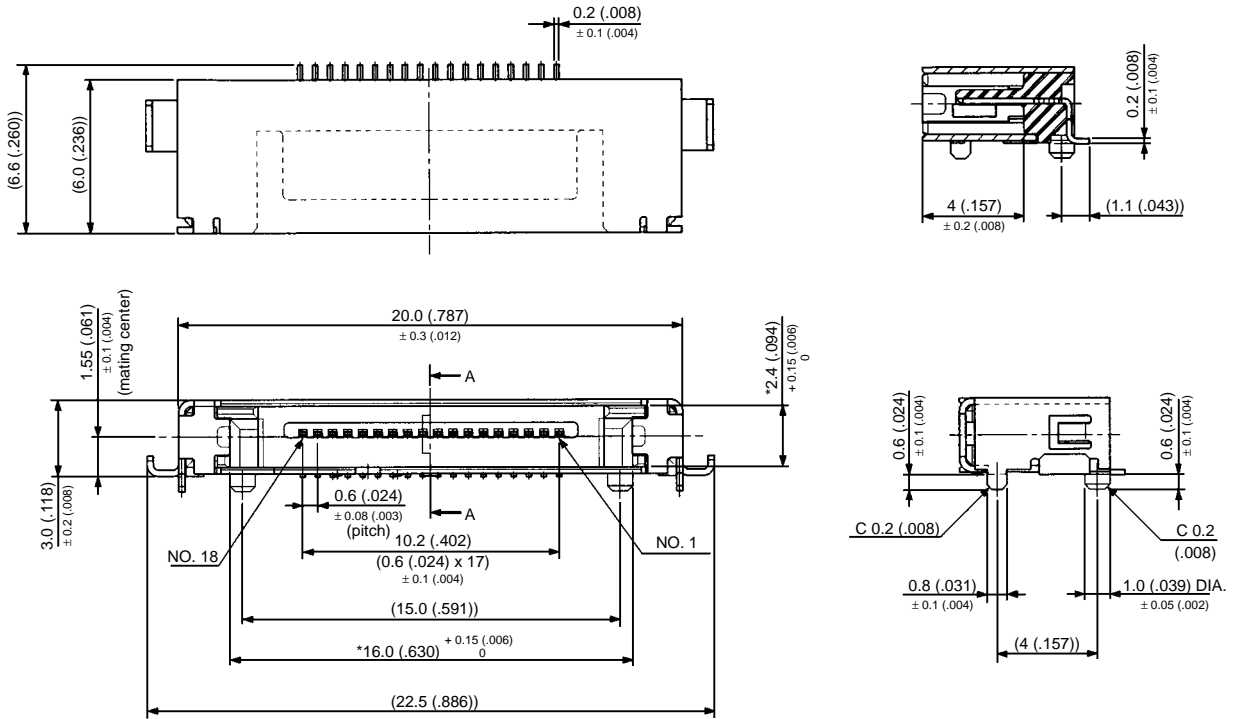


Dimensions in mm (inches).

DA1 SERIES CONNECTORS

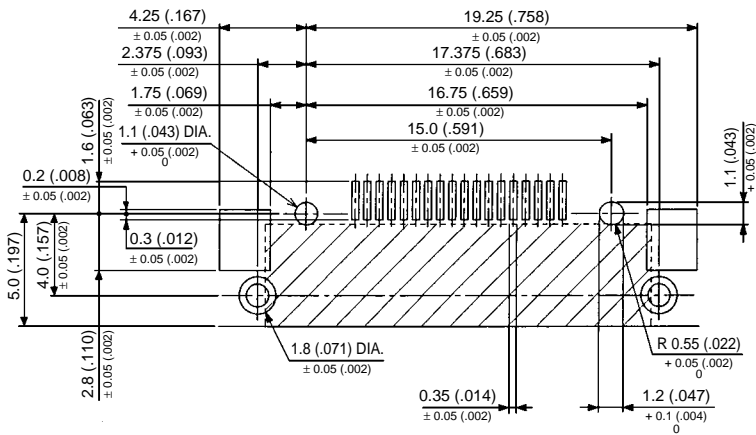
0.6mm (.024") Contact Spacing, PCB-to-Cable Connectors

RECEPTACLE Part Number: DA1R018H91



* Mating Dimension

Applicable PCB Layout (Ref.)

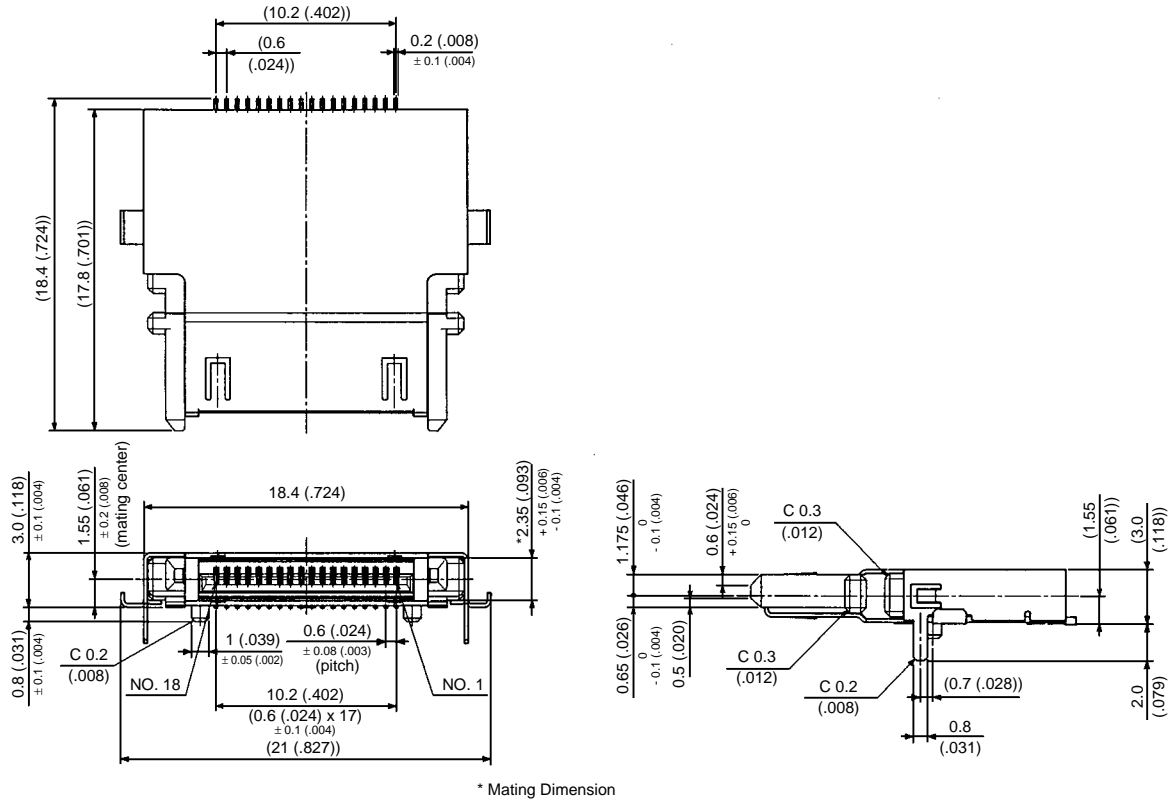


Dimensions in mm (inches).

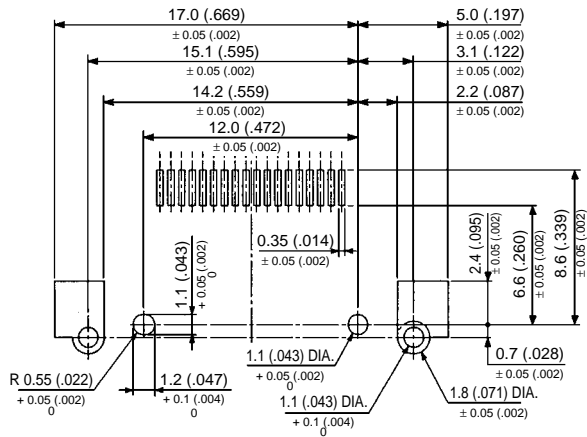
DA1 SERIES CONNECTORS

0.6mm (.024") Contact Spacing, PCB-to-Cable Connectors

CRADLE
Part Number: DA1B018H91



Applicable PCB Layout (Ref.)



Dimensions in mm (inches).



