

TECHNICAL SPECIFICATIONS

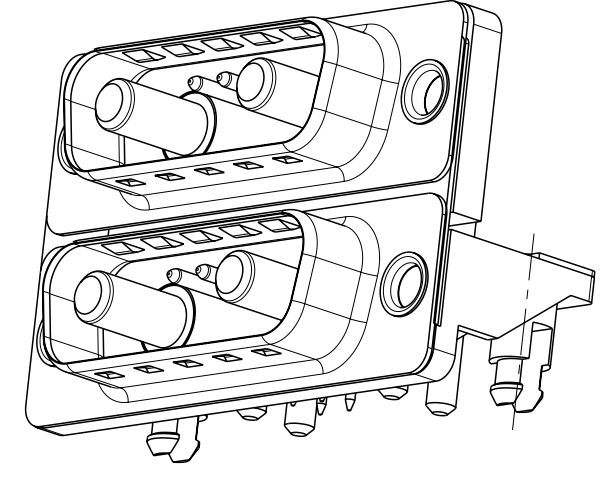
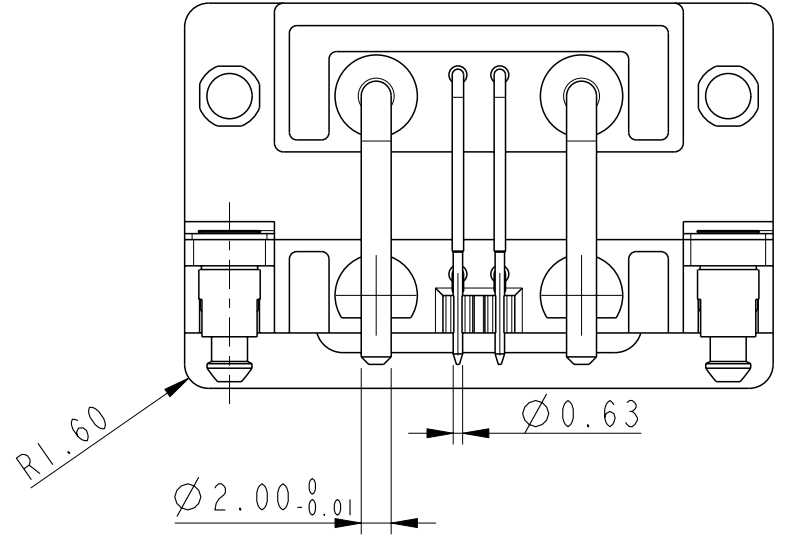
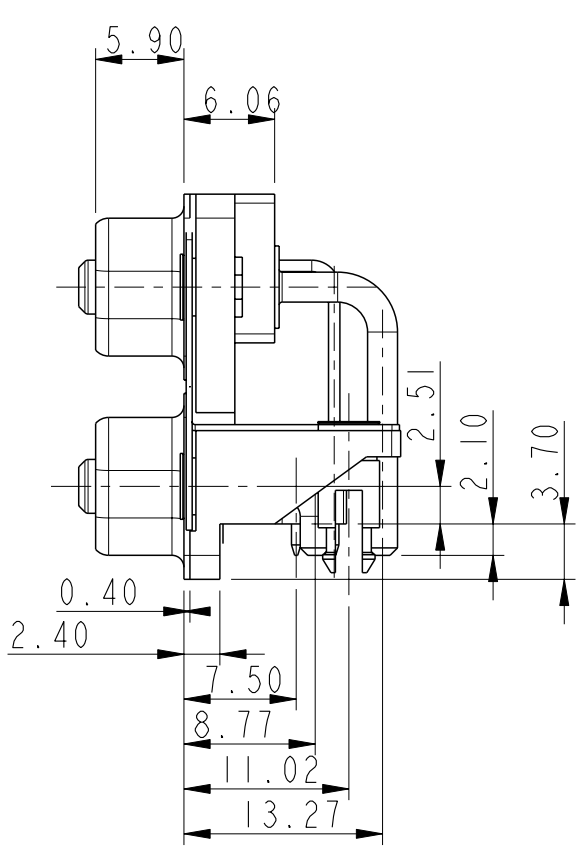
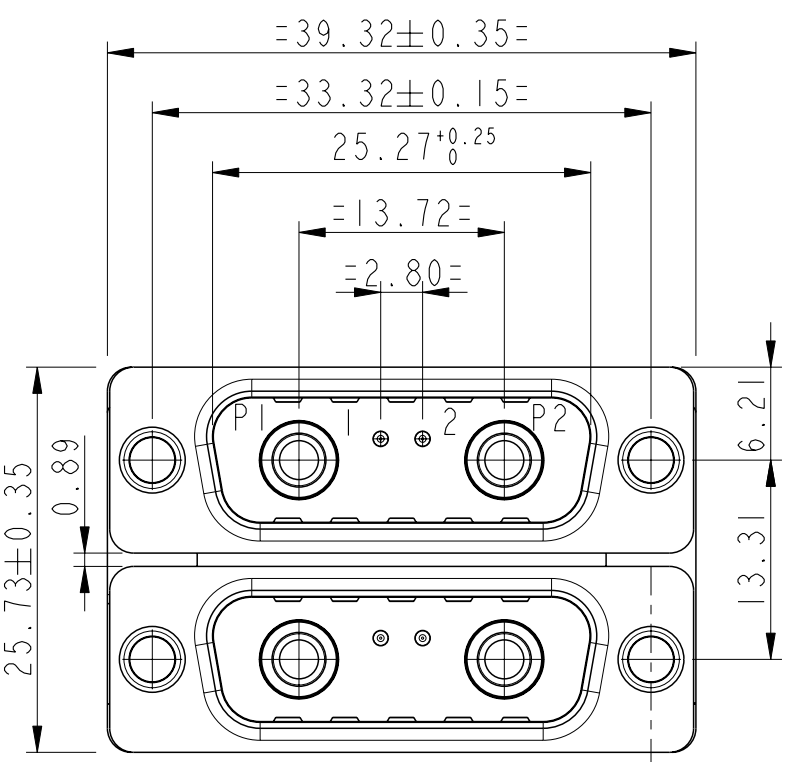
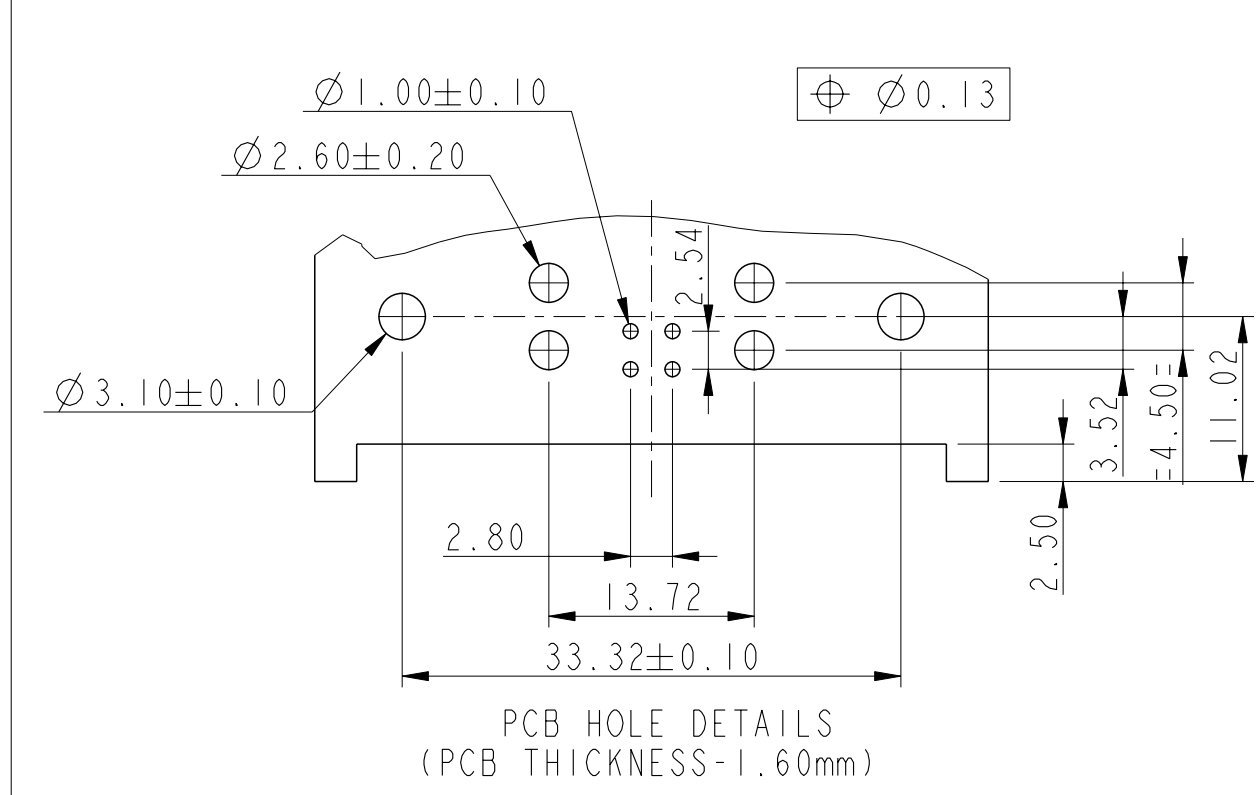
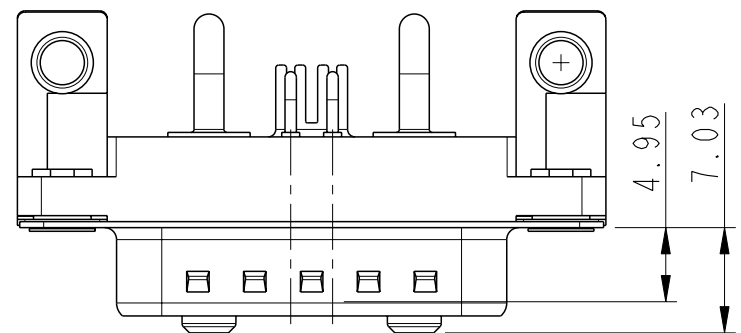
1: MATERIAL:
 INSULATOR : High Temperature Thermoplastics
 CONTACTS : Copper alloy
 SHELLS : Steel with Nickel Plated

2: PLATING:
 CONTACT ACTIVE ZONE : GOLD or Equivalent
 TERMINATION ZONE : TIN over Cu
 METAL BRACKET : BRASS- NICKEL
 HARPOON : BRASS- TIN
 CLINCH NUT : BRASS- NICKEL

3: ELECTRICAL DATA:
 Current Rating : 48V/24A for Power contact
 : 0.375 A for signal contact
 Test Voltage : 1000V
 Contact Resistance : For Power contacts $\leq 10\text{mOhm}$
 : For Signal conatcts $\leq 25\text{mOhm}$
 Insulation Resistance : 5000M Ohm

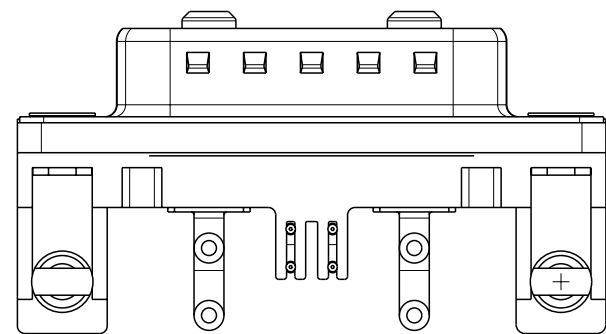
4: ENVIRONMENTAL CHARACTERISTICS- ROHS Compatible
 Operating temperature : 70°C+30°C Temperature rise

5:MECHANICAL LIFE : 200 matings



"This Product Meets European union directives & other country regulations as described in GS-22-008"
 Packing asper GS 14-1104

PART NO. 10070158-00119XLF
 X- 440UNC NUT
 L- M3 NUT



rev	ecn no	dr	date
A	107-0051	NG	2007-07-17
B	107-0163	NG	2007-11-30
-	-	-	-
-	-	-	-
-	-	-	-
-	-	-	-

www.fciconnect.com			surface - ISO 1302	tolerance std ISO 406 ISO 1101	projection mm
Dr	NIRMAL G	2006-10-20	TOLERANCES UNLESS OTHERWISE SPECIFIED		size A2
Eng	NIRMAL G	2007-11-29	ANGULAR	0.X ±0.3	Scale 2:1
Chr	ANISH SALAM	2007-11-30	LINEAR	0.XX ±0.10	ECN 107-0163
Appr	BIJU K PAUL	2007-11-30	0° ±2°	0.XXX ±0.050	Spec ref
FCj			Product family		-D-SUB
title			DUAL PCB CONNECTOR-48V		dwg no
MicroTCA_Male Solder to board version					10070158-001
catalog no			SEE TABLE		Rev. B
			CUSTOMER		sheet 1 of 1

Copyright FCI. FCj