

PRODUCT NUMBER

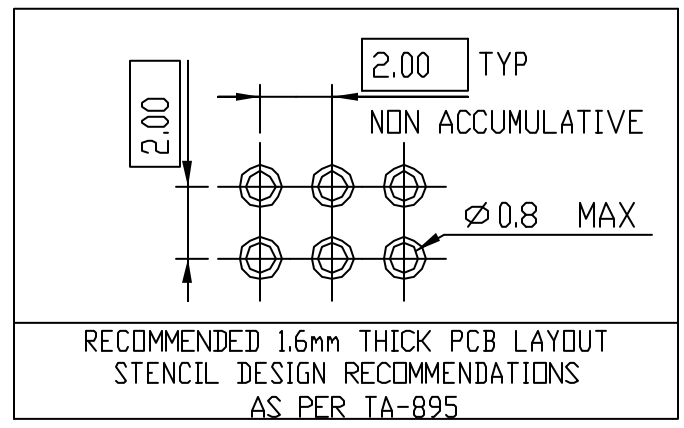
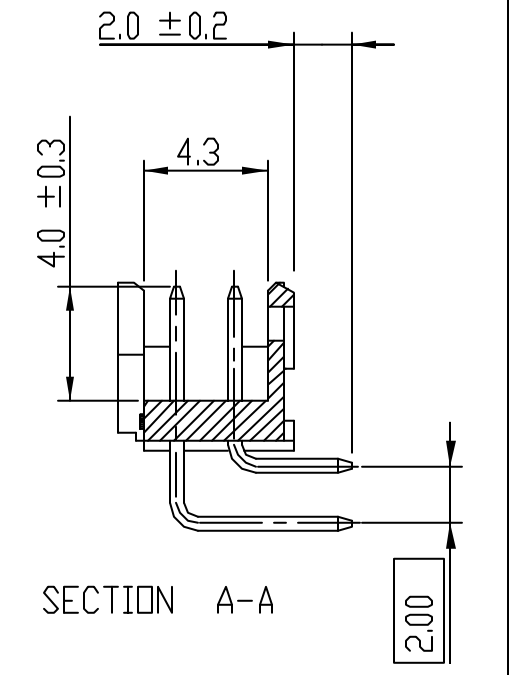
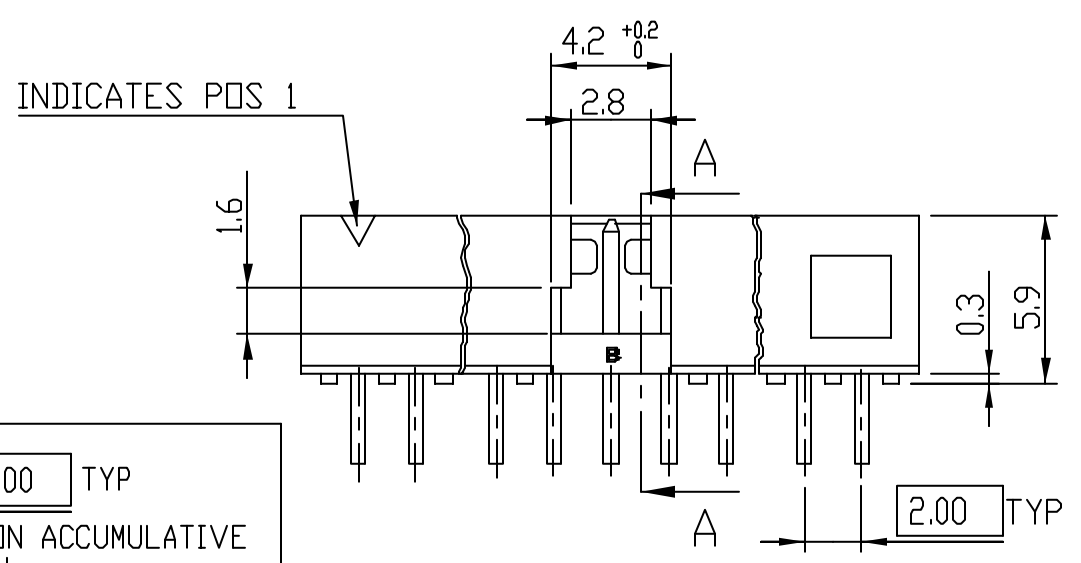
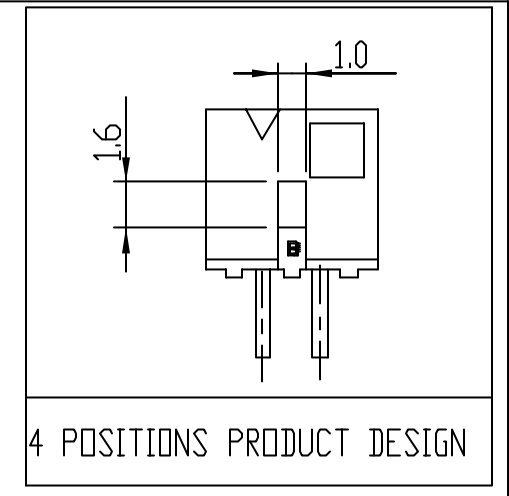
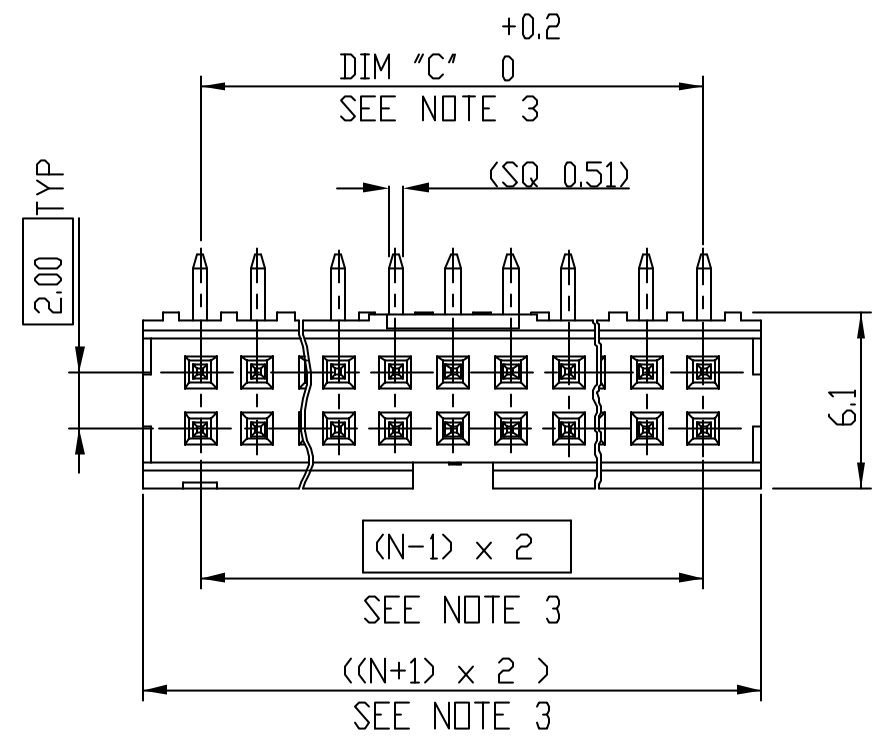
10072354-X01-XXXLF

PLATING
 S = 0.38µm GOLD/GXT ON CONTACT AREA
 2µm MIN MATTE TIN ON TAIL OVER 1.27µm MIN NICKEL
 G = 0.76µm GOLD/GXT ON CONTACT AREA
 2µm MIN MATTE TIN ON TAIL OVER 1.27µm MIN NICKEL
 F = GOLD FASH ON CONTACT AREA
 2µm MIN MATTE TIN ON TAIL OVER 1.27µm MIN NICKEL

RoHS COMPATIBLE
 NOTE 6
 PACKAGING
 NOTE 5
 TOTAL NB OF POSITIONS
 04 TO 50 POS

- NOTES:
1. MATERIAL HOUSING: HIGH TEMP. THERMOPLASTIC
 UL 94V-0, COLOR BLACK
 2. MATERIAL TERMINAL: COPPER ALLOY
 3. TO DETERMINE DIMENSIONS:
 N = NUMBER OF POSITIONS PER ROW.
 4. 7N MIN PIN RETENTION IN EITHER DIRECTION.
 5. PACKAGING :
 = PLASTIC BOX
 U = TUBE AVAILABLE FROM 06 TO 50 POS
 6. RoHS COMPATIBLE PRODUCT SPECIFICATIONS

- a - PLATING
 = 'LF' MEANS THE PRODUCT IS LEAD-FREE
 2µm MINIMUM MATTE TIN OVER 1.27µm MINIMUM NICKEL UNDERPLATE.
- b - MANUFACTURING PROCESS COMPATIBILITY
- THE HOUSING WITHSTAND EXPOSURE TO 260°C PEAK TEMPERATURE FOR 30 SECONDS MAX IN A CONVECTION, INRA-RED OR VAPOR PHASE OR REFLOW OVEN.
- c - LABELLING:
- MEETS PACKAGING SPECS AS PER GS-14-920.
- d - THIS PRODUCT MEETS EUROPEAN DIRECTIVES AND OTHER COUNTRY REGULATIONS AS DISCRIBED IN GS-22-008



rev	ecn no	dr	date
A	F07-0105	LMU	07.01.10
B	F08-0113	LMU	08.01.17
C	F08-0145	ELA	15.04.08
-	-	-	-
-	-	-	-
-	-	-	-
-	-	-	-

www.fciconnect.com		surface - ✓ ISO 1302	tolerance std ISO 406 ISO 1101	projection mm
		TOLERANCES UNLESS OTHERWISE SPECIFIED		size A3
Dr	L MULIN	06.09.14	ANGULAR	Scale 4:1
Eng	J COMPAGNON	06.09.14	LINEAR	
Chr	-	-	0° ±2°	ECN -
Appr	JM.C	06.09.14	Product family	Minitek
title		SHR HEADER		Spec ref -
catalog no		2.00 RIGHT ANGLE PIP		dwg no 10072354
		CUSTOMER Drawing		Rev. C
		sheet 1 of 1		

Copyright FCI