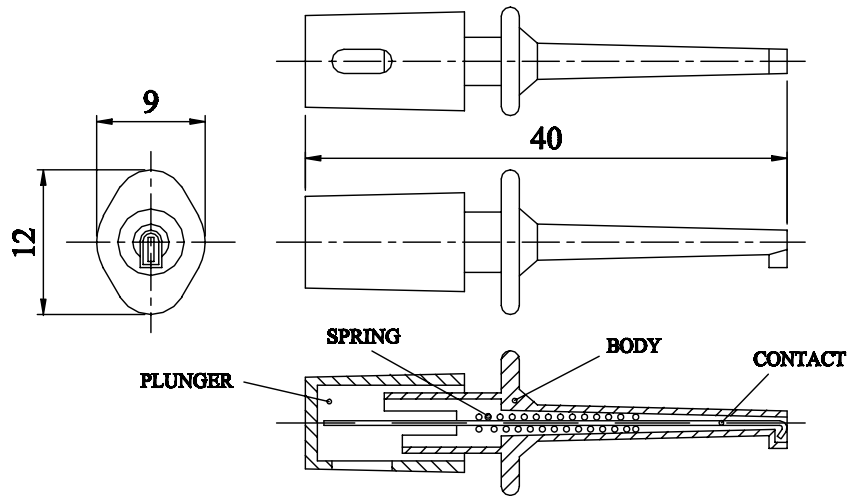


A miniature, spring loaded, plunger action probe, ideally suited for making contact to component leads on high density PCBs including integrated circuit pins etc. Gold flash contact hook and solder connections.

Available in a range of colours for identification in multiple probing applications. Suitable for miniature stranded cables.

MATERIAL
 PLUNGER : Noryl coloured
 BODY : Noryl coloured
 SPRING : Spring Steel
 CONTACT : Brass gold flash

Dimensions



COLOUR	ORDER CODE
BLACK	575-0101
BLUE	575-0201
GREEN	575-0401
RED	575-0501
YELLOW	575-0701

CONVERTED FROM PS0392 ISS4 (07.09.97) IN JAN 2003

DrgNo 575 SERIES		TITLE MINIATURE PROBE			ALL DIMENSIONS IN MM ANGLES IN DECIMAL DEGREES	
ISSUE	4	GENERAL SPECIFICATION FOR 575 SERIES	CUSTOMER	FILTER REF		
		Aprvd Date 15/10/03	Aprvd By MC	Drwn by BS	Scale: NTS	Sheet 1 / 1