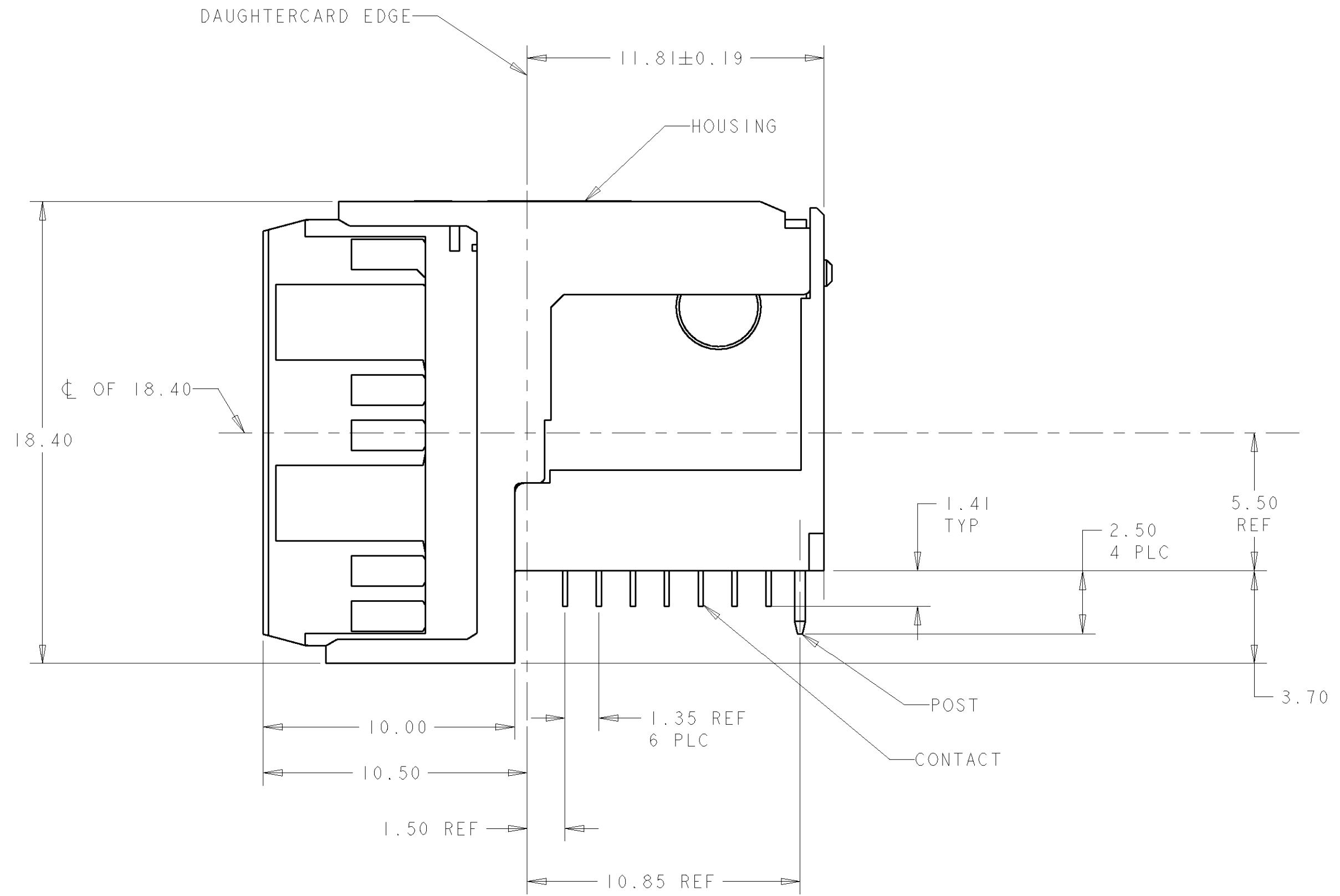
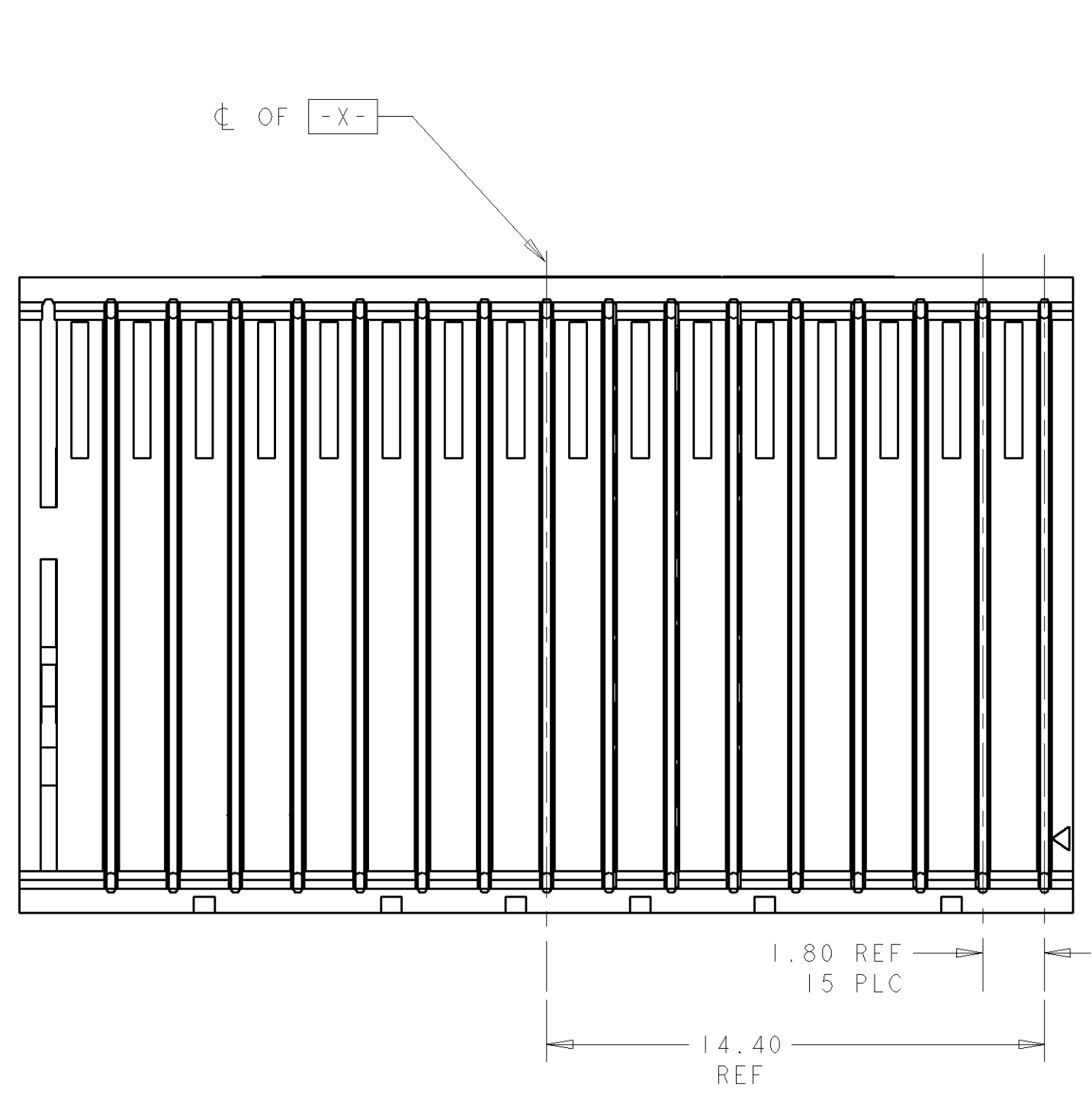


LOC	DIST	REVISIONS					
		P	LTR	DESCRIPTION	DATE	DRN	APVD
GP	00	A		REV PER ECO-06-005380	14MAR2006	BC	GG



- △ HOUSING: LCP, UL94V0, COLOR: BLACK.
CONTACT: PHOSPHOR BRONZE.
POST: BRASS WIRE
- △ CONTACT: 0.76µm MIN GOLD IN PAD CONTACT AREA
1.27µm MIN TIN-LEAD ON PCB TAIL
OVER 1.27µm MIN NICKEL OVER ALL.
POST 1.27µm MIN NICKEL PLATED.
- △ MANUFACTURING TOLERANCE FOR $\phi 0.46 \pm 0.05$
DIAMETER FINISHED HOLE WITH Sn /PB PLATING:

DRILLED HOLE = $\phi 0.55 \pm 0.02$
COPPER PLATING = 0.025-0.050
Sn PB PLATING = 0.0038-0.0124

OR

MANUFACTURING TOLERANCE FOR $\phi 0.475 \pm 0.05$
DIAMETER FINISHED HOLE WITHOUT Sn /PB PLATING:

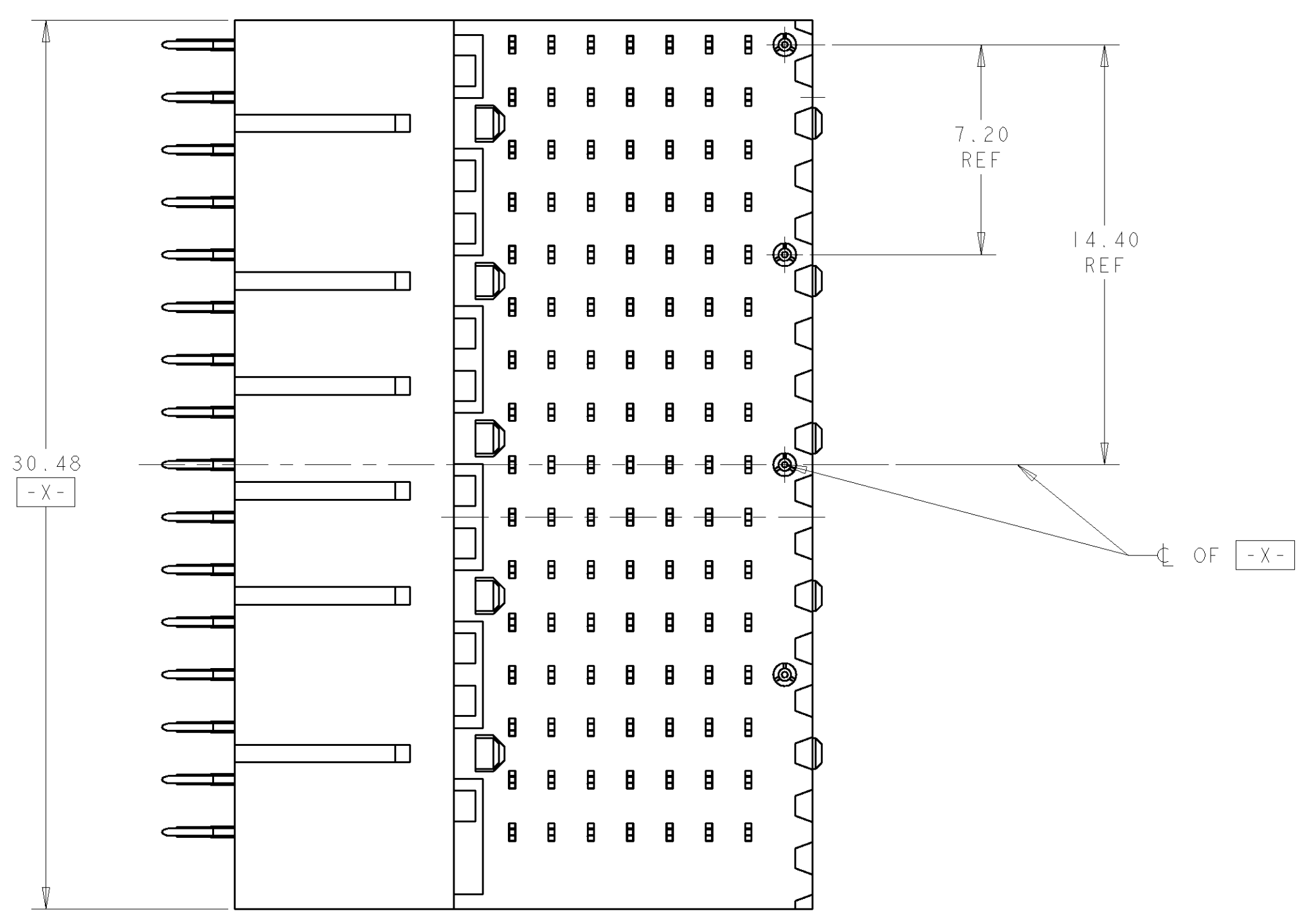
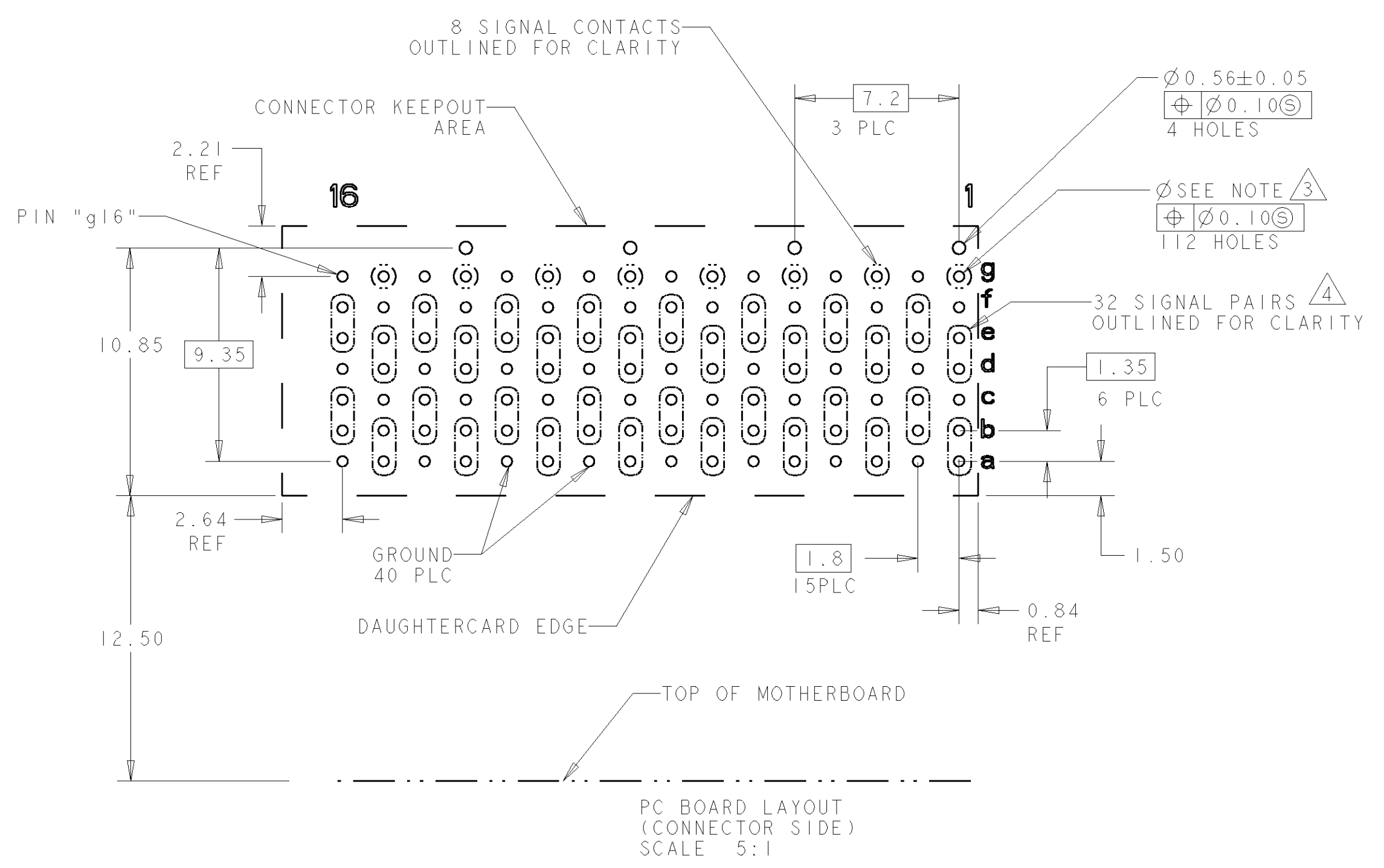
DRILLED HOLE = $\phi 0.55 \pm 0.02$
COPPER PLATING = 0.025-0.050
- △ SEE TABLE 1 FOR INTERCONNECTIONS TO
BACKPLANE CONNECTOR.
- △ CONTACT: 0.76µm MIN GOLD IN PAD CONTACT AREA
1.27µm MIN TIN ON PCB TAIL
OVER 1.27µm MIN NICKEL OVER ALL.
POST 1.27µm MIN NICKEL PLATED.
- △ CONTACT: 1.27µm MIN GOLD IN PAD CONTACT AREA
1.27µm MIN TIN-LEAD ON PCB TAIL
OVER 1.27µm MIN NICKEL OVER ALL.
POST 1.27µm MIN NICKEL PLATED.

TABLE 1
INTERCONNECTIONS WITH BACKPLANE CONNECTOR 1410142

TYPICAL INTERCONNECTIONS FOR EACH EVEN-NUMBERED COLUMN (WAFER): 2, 4, 6, 8, 10, 12, 14, 16		
CONTACT USAGE	DAUGHTERCARD CONNECTOR PIN	BACKPLANE CONNECTOR PIN
SIGNAL PAIR	bx	cx
SIGNAL PAIR	cx	dx
SIGNAL PAIR	ex	gx
SIGNAL PAIR	fx	hx
GROUND	ax, dx, gx, (ALL COMMONED)	ax, bx, ex, fx, ix

TYPICAL INTERCONNECTIONS FOR EACH ODD-NUMBERED COLUMN (WAFER): 1, 3, 5, 7, 9, 11, 13, 15		
CONTACT USAGE	DAUGHTERCARD CONNECTOR PIN	BACKPLANE CONNECTOR PIN
SIGNAL PAIR	ax	ax
SIGNAL PAIR	bx	bx
SIGNAL PAIR	dx	ex
SIGNAL PAIR	ex	fx
SIGNAL	gx	ix
GROUND	cx, fx (ALL COMMONED)	cx, dx, gx, hx

NOTE: "x" DESIGNATES THE COLUMN NUMBER



DIMENSIONS: mm 		TOLERANCES UNLESS OTHERWISE SPECIFIED: 0 PLC ± 1 PLC ±0.5 2 PLC ±0.13 3 PLC ± 4 PLC ± ANGLES ±1°		DWN: TREA 30OCT2003 ENR: J.CONSOLO 30OCT2003 APVD: G.GRIFFITH 14MAR2006 PRODUCT SPEC: 108-2072 APPLICATION SPEC: 114-13056 WEIGHT: - CUSTOMER DRAWING		Tyco Electronics Harrisburg, PA 17105-3608 NAME: RIGHT-ANGLE PLUG ASSEMBLY, 7 ROW, RIGHT END, 20.3mm, MultiGig RT2, DAUGHTERCARD CONNECTOR, DIFFERENTIAL SIZE: 00779 DRAWING NO: 1410188 SCALE: 3:1 SHEET 1 OF 1 REV A	
--------------------	--	--	--	---	--	---	--