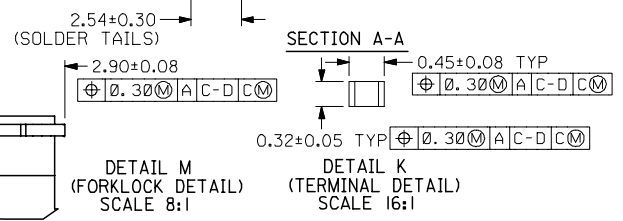
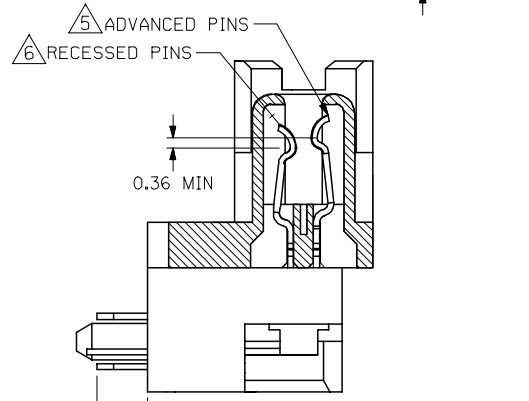
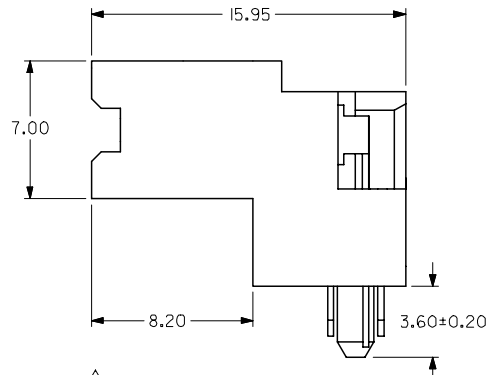
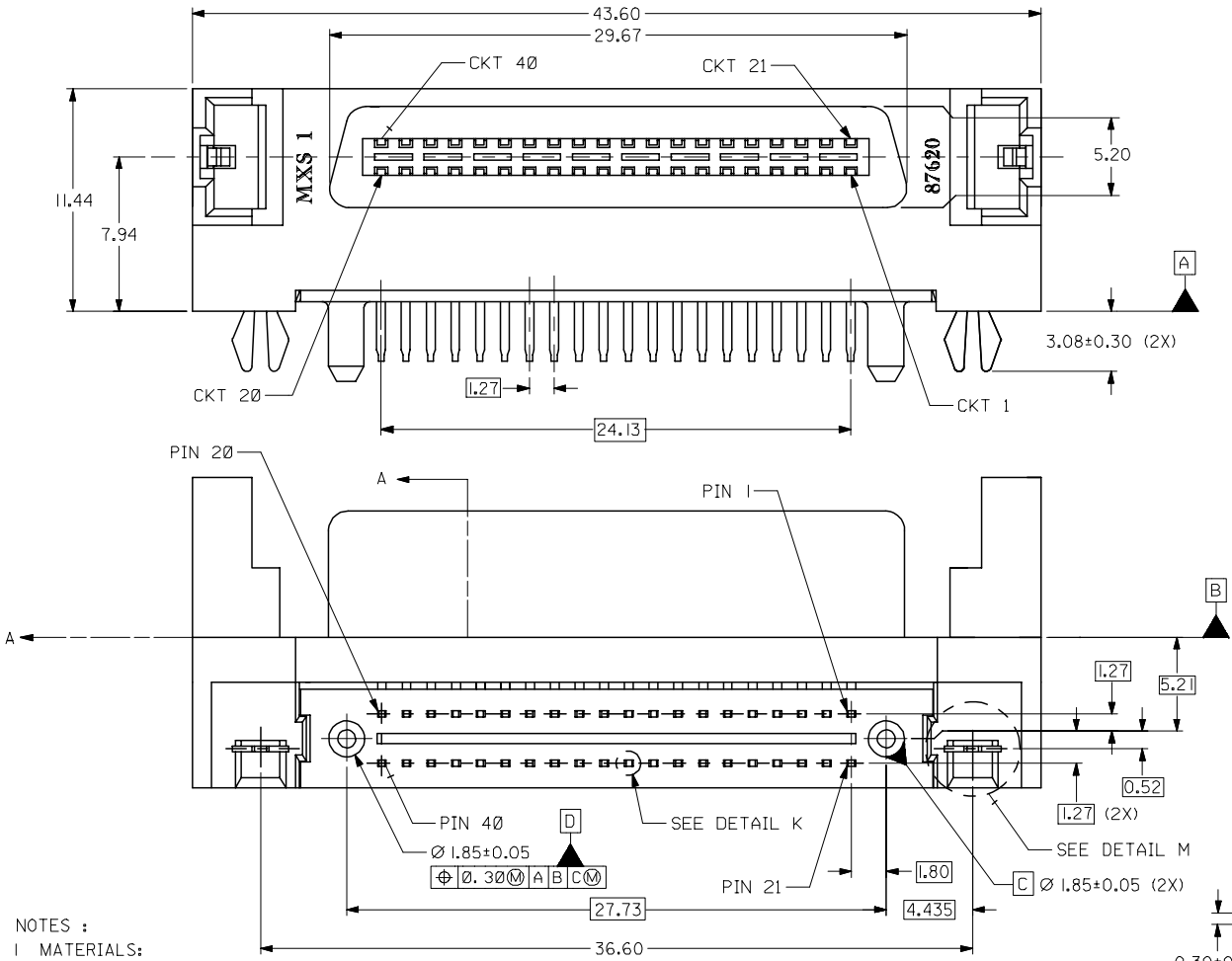


10 9 8 7 6 5 4 3 2 1

F
E
D
C
B
A

F
E
D
C
B
A



- NOTES :
- MATERIALS:
HOUSING- LCP, GLASS FILLED, UL94V-0, BLACK.
TERMINALS & FORK LOCK - PHOSPHOR BRONZE.
 - PLATING:
0.76µM MIN. GOLD IN SELECTIVE CONTACT AREA
AND 2.54µM MIN. TIN IN SOLDER TAIL AREA,
BOTH OVER 1.27µM MIN. NICKEL.
 - PRODUCT SPECIFICATION: PS-87620-002
 - RECOMMENDED P.C. BOARD THICKNESS
IS 1.57±/-0.13MM.
 - ADVANCED PIN NO: 21 TO 23, 26, 29, 32, 35 TO 20.
 - RECESSED PIN NO: 1 TO 20, 24, 25, 27, 28, 30, 31,
33 & 34.

OBS TIN/LEAD P/N	EC NO: S2006-0817	2006/04/11
	DRWN:MLONG	2006/04/12
	CHKD:CGTAN	2006/04/12
	APPR:KCLING	2006/04/12
REV	DESCRIPTION	

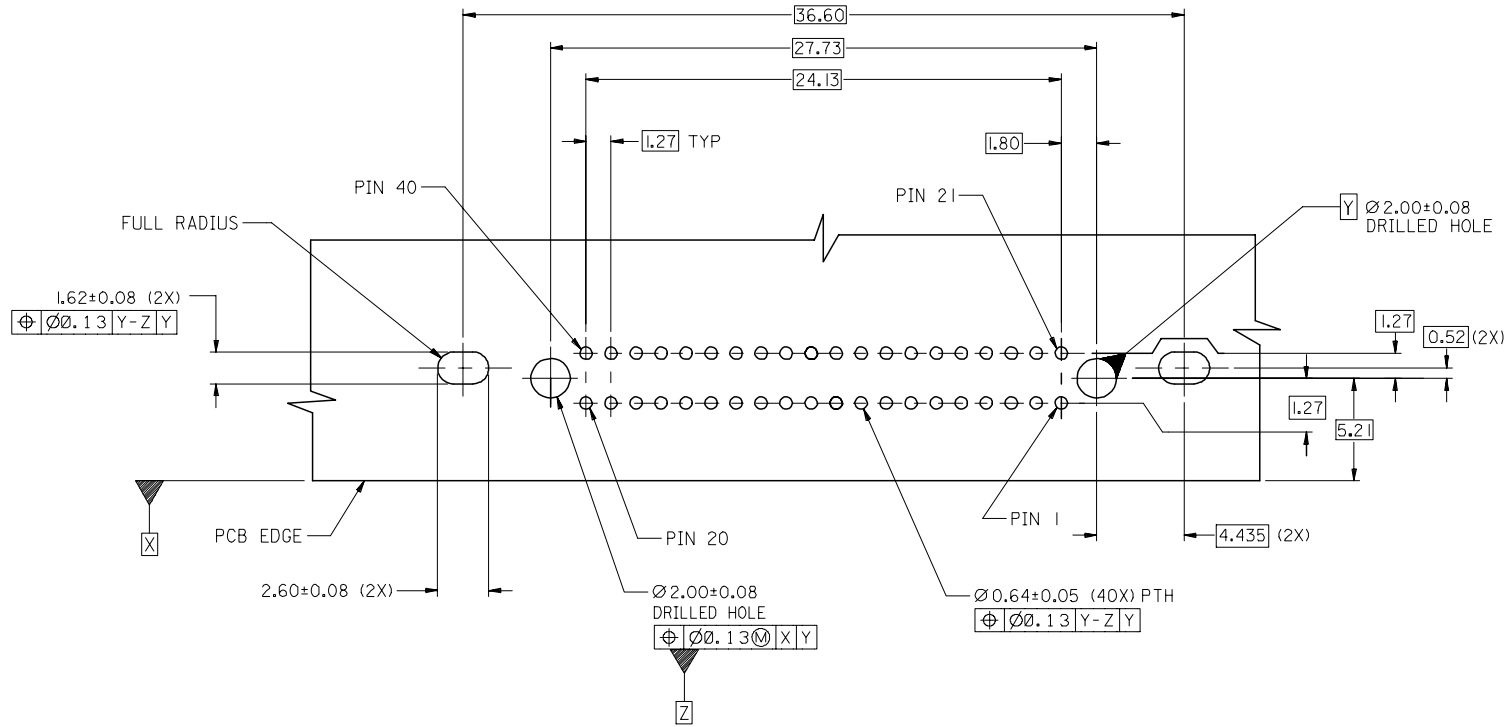
QUALITY SYMBOLS	▽=0
	△=0

GENERAL TOLERANCES (UNLESS SPECIFIED)	
mm	INCH
4 PLACES ±---	±---
3 PLACES ±0.15	±---
2 PLACES ±0.25	±---
1 PLACE ±0.3	±---
ANGULAR ± 3 °	
DRAFT WHERE APPLICABLE MUST REMAIN WITHIN DIMENSIONS	

DIMENSION STYLE		SCALE	DESIGN UNITS	THIRD ANGLE PROJECTION
MM ONLY		NTS	METRIC	
DRAWN BY	DATE	TITLE		
DS0H	1999/09/27	SCA-2, 1.27MM CTR. 40 CKTS, B-T-B RECEPTACLE, R/A		
CHECKED BY	DATE			
KCLING	1999/10/07			
APPROVED BY	DATE	MOLEX INCORPORATED		
SKT0H	1999/10/07			
MATERIAL NO.	DOCUMENT NO.	SHEET NO.		
87620-1001	SD-87620-001	1 OF 2		

THIS DRAWING CONTAINS INFORMATION THAT IS PROPRIETARY TO MOLEX INCORPORATED AND SHOULD NOT BE USED WITHOUT WRITTEN PERMISSION

9 8 7 6 5 4 3 2 1



RECOMMENDED PC BOARD LAYOUT $\triangle 4$
 COMPONENT SIDE

OBS TIN/LEAD P/N EC NO: S2006-0817 DRWN:MLONG CHKD:CGTAN APPR:KCLING	QUALITY SYMBOLS $\nabla = 0$ $\triangle = 0$	GENERAL TOLERANCES (UNLESS SPECIFIED)		DIMENSION STYLE MM ONLY		SCALE NTS	DESIGN UNITS METRIC	THIRD ANGLE PROJECTION		
			mm	INCH	DRAWN BY DSOH	DATE 1999/09/27	TITLE SCA-2, 1.27MM CTR. 40 CKTS, B-T-B RECEPTACLE, R/A			
		4 PLACES	\pm ---	\pm ---	CHECKED BY KCLING	DATE 1999/10/07				
		3 PLACES	± 0.15	\pm ---	APPROVED BY SKTOH	DATE 1999/10/07	MOLEX INCORPORATED			
	2 PLACES	± 0.25	\pm ---	MATERIAL NO. 87620-1001	DOCUMENT NO. SD-87620-001	SHEET NO. 2 OF 2				
	1 PLACE	± 0.3	\pm ---	DRAFT WHERE APPLICABLE MUST REMAIN WITHIN DIMENSIONS		THIS DRAWING CONTAINS INFORMATION THAT IS PROPRIETARY TO MOLEX INCORPORATED AND SHOULD NOT BE USED WITHOUT WRITTEN PERMISSION				
	ANGULAR $\pm 3^\circ$		SIZE A3							