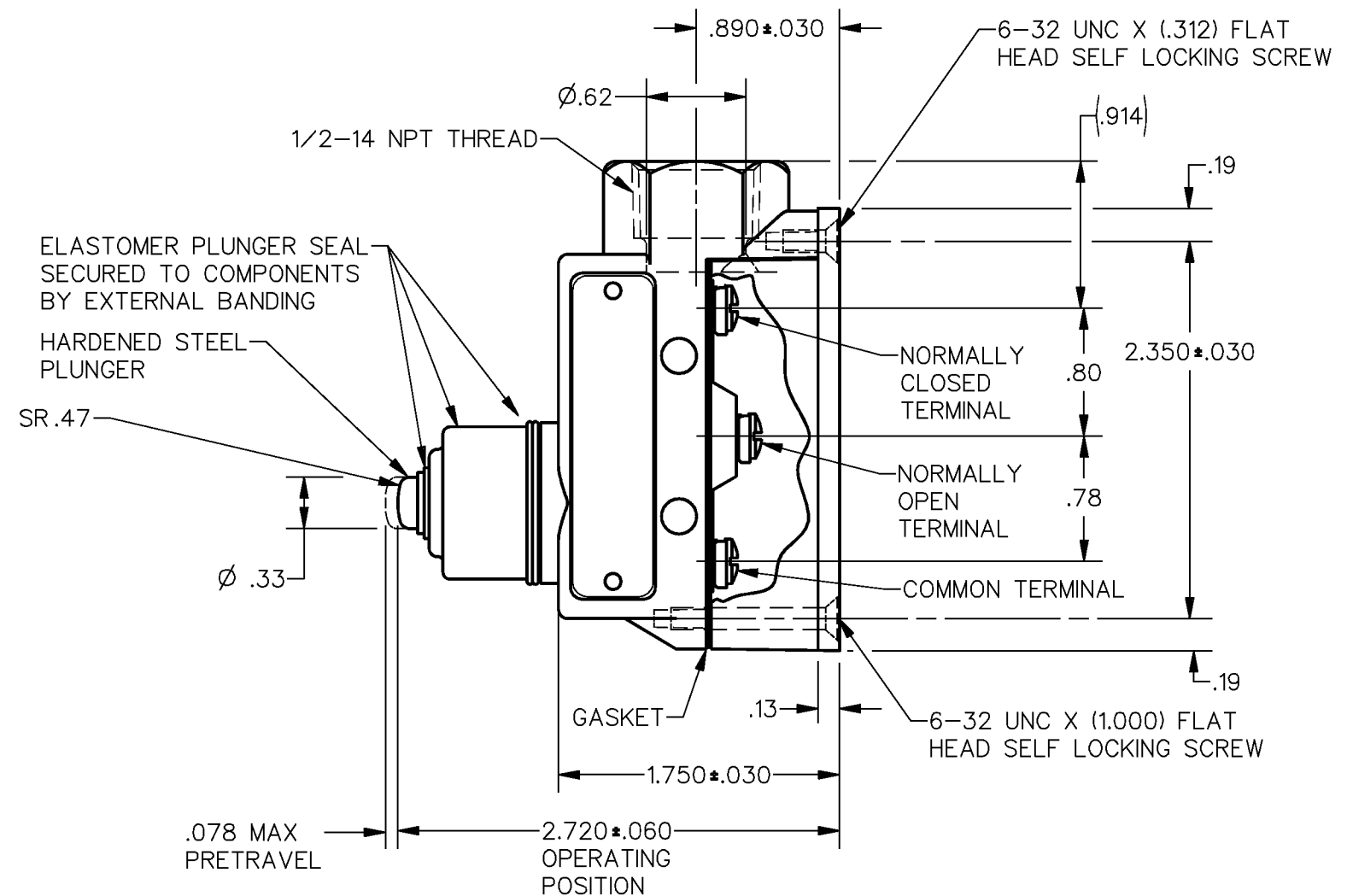
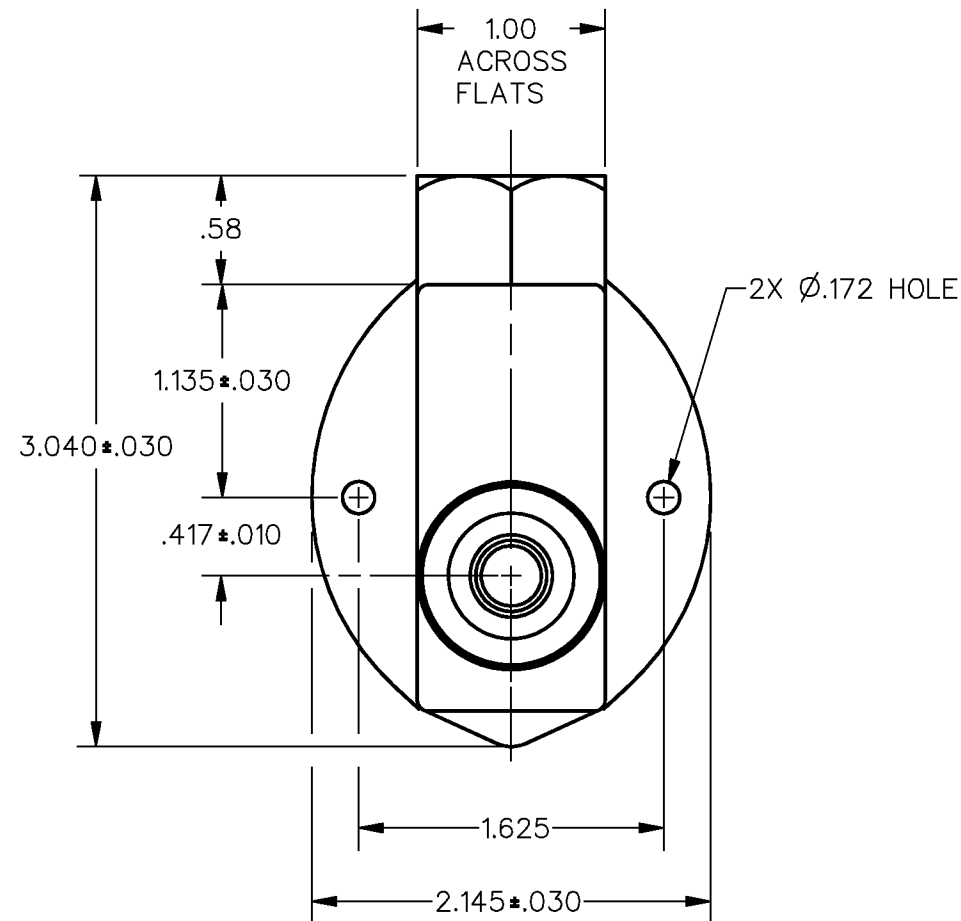


HONEYWELL
PART NUMBER

BZV6-2RN

REV	DOCUMENT	CHANGED BY	CHECK
12	0081896	NMN 21SEP11	CMH



NOTES

- 1 - 3X 6 - 32 UNC X (.219) BINDING HEAD TERMINAL SCREW AND CUP WASHER
- 2 - SEALED FOR NEMA 1, 3, 4 AND IP 66 RATING

RELEASE NO: SR7226

CHARACTERISTICS		ELECTRICAL DATA		DESIGN UNITS: INCH		DRAWN		SAV		6OCT92		<div style="text-align: center;">Honeywell</div>				
OPERATING FORCE-----		CONTACT ARRANGEMENT		TOLERANCES UNLESS NOTED:		CHECK		-		-						TITLE <div style="text-align: center;">SWITCH - ENCLOSED</div>
OPERATING FORCE-----	9-24 OZ	S P D T		NO PLACES	x ±	THIS DRAWING COVERS A PROPRIETARY ITEM AND IS THE PROPERTY OF HONEYWELL. THIS DRAWING IS NOT TO BE COPIED OR USED WITHOUT THE PERMISSION OF HONEYWELL.		-		-		SIZE	TYPE	CAGE CODE	DRAWING NAME	
RELEASE FORCE-----	4 OZ MIN	15A-125, 250 OR 480 VAC, 2A-600 VAC		ONE PLACE	.x ±	INTERPRET PER ANSI Y14.5M-1982 OTHER HONEYWELL ENGINEERING STANDARDS MAY APPLY		-		-		B	I	-	BZV6-2RN	12
DIFFERENTIAL TRAVEL-----	.002 MAX	1/8 HP - 125 VAC; 1/4 HP - 250 VAC		TWO PLACE	.xx ±			SCALE	NONE	WEIGHT	.62 LB	SHEET	1 OF 1			
OVERTRAVEL-----	.219 MIN	1/2A - 125 VDC; 1/4A-250 VDC		THREE PLACE	.xxx ±			RASTER								
SWITC-BASIC REPLACEMENT-----	B2-2RQ77	1/2A - 125 VDC; 1/4A-250 VDC		ANGLES	x ±											
		CE 1.5A, 240VAC		THIRD ANGLE PROJECTION 												