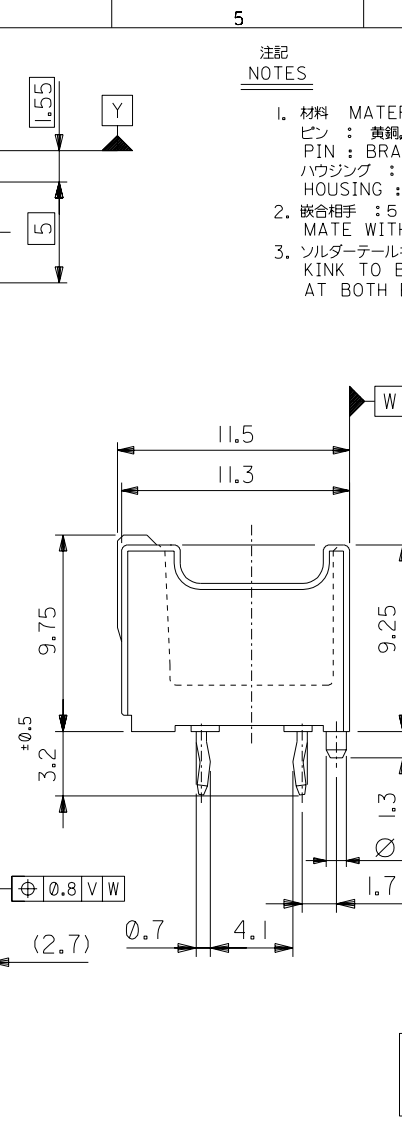
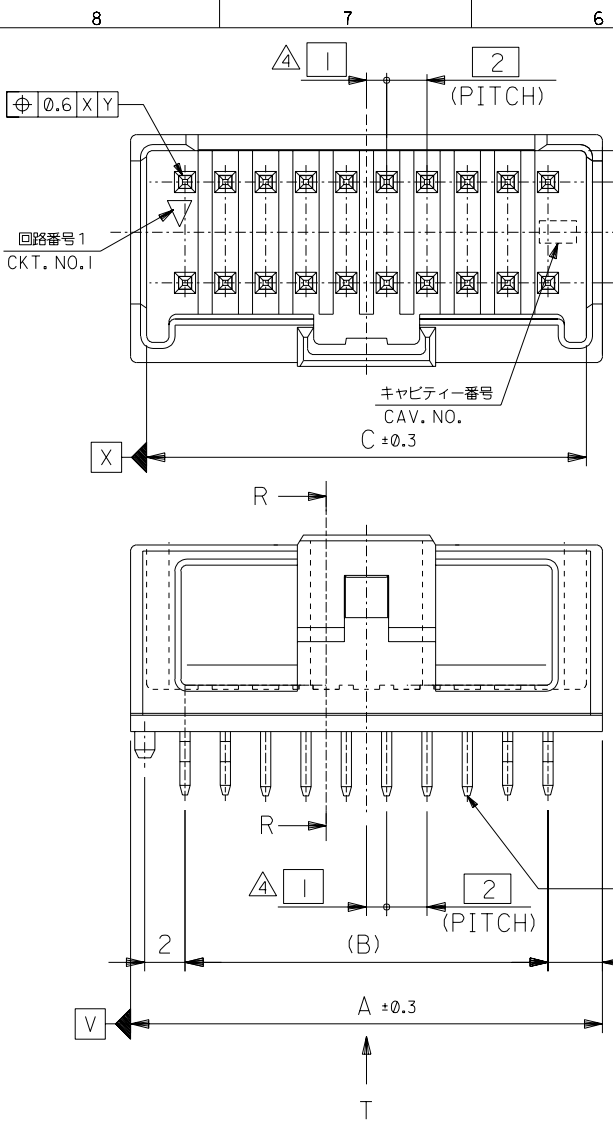


DO NOT SCALE DRAWING



無鉛
LEAD FREE

注記
NOTES

- 材料 MATERIAL
ピン : 黄銅, ニッケル下地鍍メッキ
PIN : BRASS, Sn OVER Ni PLATED
ハウジング : PBT (ガラス入り: 15%), UL94V-0
HOUSING : PBT(G.F.: 15%), UL94V-0
- 嵌合相手 : 51353シリーズ
MATE WITH : 51353 SERIES
- ソルダーテールキップは、両端の8ピンのみとする。
KINK TO BE APPLIED FOR 8 PINS AT BOTH ENDS.

△ (全極数/2) = 偶数の場合に適用。
APPLY FOR (CIRCUIT/2)=EVEN

△ 製品番号
MATERIAL NO.
55917-***|*
極数CIRCUIT SIZE | 色 COLOR

| | |
|----------------------------|---|
| ナチュラル(白) NATURAL(WHITE) | 0 |
| 黒 BLACK | 1 |
| 赤 RED | 2 |
| 黄 YELLOW | 3 |
| 青 BLUE | 4 |
| 桃 PINK | 5 |
| 緑 GREEN | 6 |
| 茶 BROWN | 7 |
| 橙 ORANGE | 8 |
| 紫 VIOLET | 9 |

| | | | | |
|------|----|------|--------------|------|
| 41.8 | 38 | 43.4 | 55917-40 * | 40 |
| 39.8 | 36 | 41.4 | -38 * | 38 |
| 37.8 | 34 | 39.4 | -36 * | 36 |
| 35.8 | 32 | 37.4 | -34 * | 34 |
| 33.8 | 30 | 35.4 | -32 * | 32 |
| 31.8 | 28 | 33.4 | -30 * | 30 |
| 29.8 | 26 | 31.4 | -28 * | 28 |
| 27.8 | 24 | 29.4 | -26 * | 26 |
| 25.8 | 22 | 27.4 | -24 * | 24 |
| 23.8 | 20 | 25.4 | -22 * | 22 |
| 21.8 | 18 | 23.4 | -20 * | 20 |
| 19.8 | 16 | 21.4 | -18 * | 18 |
| 17.8 | 14 | 19.4 | -16 * | 16 |
| 15.8 | 12 | 17.4 | -14 * | 14 |
| 13.8 | 10 | 15.4 | -12 * | 12 |
| 11.8 | 8 | 13.4 | -10 * | 10 |
| 9.8 | 6 | 11.4 | 55917-08 * | 8 |
| C | B | A | MATERIAL NO. | CKT. |

| | | | | |
|---|---|---|---|--|
| REVISED #64 NO. J2003-3290 DRWN:N.ITO '03/06/26 CHK: K.ASAKAWA APPR:T.YAMAGUCHI | REVISED #63 NO. J2003-3134 DRWN:N.ITO '03/06/19 CHK: K.ASAKAWA APPR:T.YAMAGUCHI | REVISED #62 NO. J2002-2307 DRWN:N.ITO '02/03/18 CHK: K.ASAKAWA APPR:T.YAMAGUCHI | REVISED #61 NO. J2002-1826 DRWN:N.ITO '02/02/28 CHK: K.ASAKAWA APPR:T.YAMAGUCHI | RELEASED #60 NO. J2002-1196 DRWN:N.ITO '01/12/17 CHK: K.ASAKAWA APPR:T.YAMAGUCHI |
| D | C | B | A | 0 |

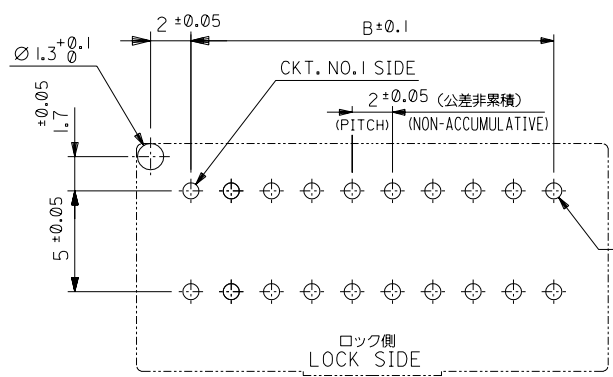
| | |
|----------------------|-------------------|
| MATERIAL 材料 | 注記参照 SEE NOTES |
| FINISH 仕上げ | // |
| WIRE RANGE 適用線径範囲 | // |
| INS. RANGE 被覆外径 | // |

| | | |
|---|-------------|--|
| GENERAL TOLERANCES: (UNLESS SPECIFIED) 一般公差 | SCALE // | DESIGN UNITS <input checked="" type="checkbox"/> mm <input type="checkbox"/> INCH |
| 10 UNDER 未満 | ±0.2 | |
| 10 OVER 30 UNDER 未満 | ±0.25 | |
| 30 OVER 以上 | ±0.3 | |
| ANGLE 角度 | ±3° | |

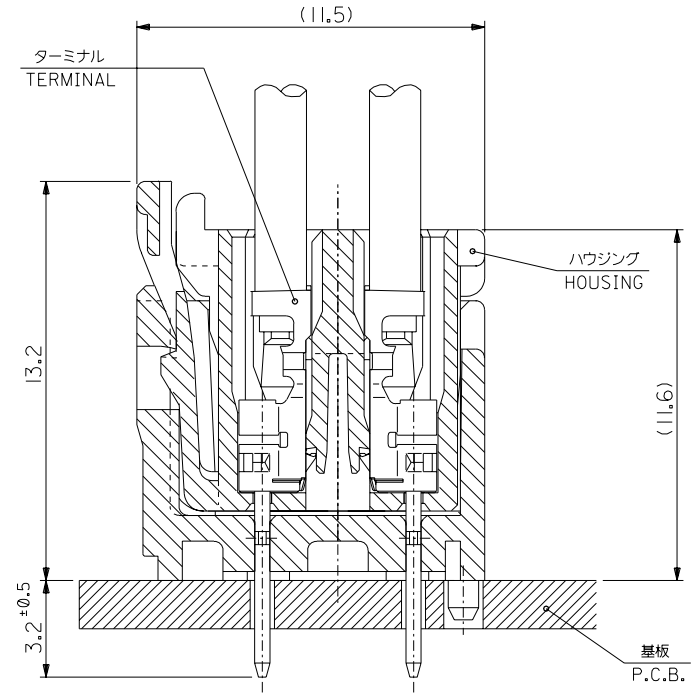
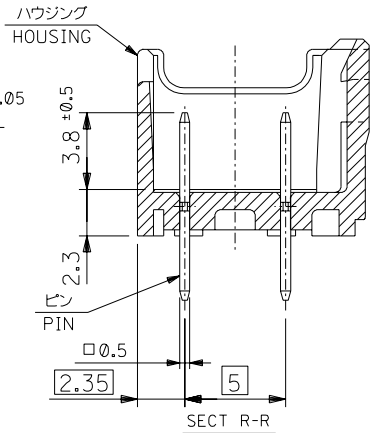
| | | | | | | | |
|--|-------------------------------------|---|--|-----------|-----|------------------------------|--|
| 55917-*** * | | MODEL NO. | DIMENSIONS: <input type="checkbox"/> mm <input type="checkbox"/> INCH <input checked="" type="checkbox"/> mm ONLY | | SHT | REV | |
| <input checked="" type="checkbox"/> 2RD ANGLE | <input type="checkbox"/> PROJECTION | TITLE: 2.0mm W+-B DUAL CONN DIP PLUG HOUSING ASS'Y ST (WITH BOSS) | | | | REVISE ON CAD ONLY | |
| DRAWN BY & DATE N.ITO '01/12/17 | | MOLEX INCORPORATED | | | | CAD FILENAME 55917003.S01 | |
| CHECKED BY & DATE K.ASAKAWA '03/06/26 | | MATERIAL NO. | DRAWING NO. | SHEET NO. | | SIZE | |
| APPROVED BY & DATE T.YAMAGUCHI '03/06/26 | | SEE CHART | SD-55917-003 | 1 OF 2 | | B | |
| * THIS DRAWING CONTAINS INFORMATION THAT IS PROPRIETARY TO MOLEX INCORPORATED AND SHOULD NOT BE USED WITHOUT WRITTEN PERMISSION. | | | | | | | |

DWG. NO. SD-55917-003

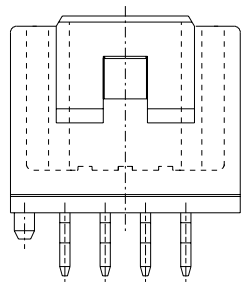
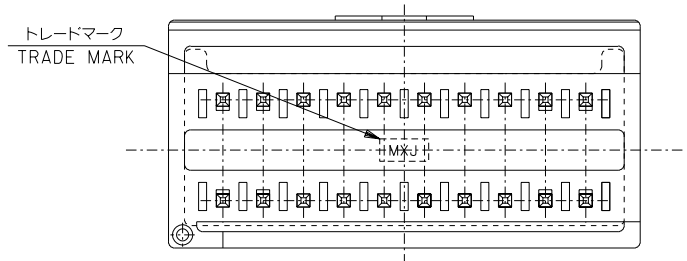
8 7 6 5 4 3 2 1



基板取付穴推奨寸法 (マウント面)
RECOMMENDED P.C.B. BOARD HOLE DIMENSION (MOUNTING SIDE) (t=1.6)



嵌合断面図 (参考)
MATED DRAWING (REF.)



無鉛
LEAD FREE

DO NOT SCALE DRAWING

| | | | | | | | | | |
|---------|--|---------|--|---------|--|---------|--|----------|--|
| REVISED | 64NO. J2003-3290 DRWN:N.ITO '03/06/26 CHK: K.ASAKAWA APPR:T.YAMAGUCHI | REVISED | 63NO. J2003-3134 DRWN:N.ITO '03/06/19 CHK: K.ASAKAWA APPR:T.YAMAGUCHI | REVISED | 62NO. J2002-2307 DRWN:N.ITO '02/03/18 CHK: K.ASAKAWA APPR:T.YAMAGUCHI | REVISED | 61NO. J2002-1826 DRWN:N.ITO '02/02/28 CHK: K.ASAKAWA APPR:T.YAMAGUCHI | RELEASED | 60NO. J2002-1196 DRWN:N.ITO '01/12/17 CHK: K.ASAKAWA APPR:T.YAMAGUCHI |
| D | | C | | B | | A | | 0 | |

| | |
|----------------------|-------------------|
| MATERIAL 材料 | 注記参照 SEE NOTES |
| FINISH 仕上げ | // |
| WIRE RANGE 適用線径範囲 | // |
| INS. RANGE 被覆外径 | // |

| | | |
|---|---------------------------|-------|
| GENERAL TOLERANCES: (UNLESS SPECIFIED) 一般公差 | 10 UNDER 未満 | ±0.2 |
| | 10 OVER 30 UNDER 以上 未満 | ±0.25 |
| | 30 OVER 以上 | ±0.3 |
| ANGLE 角度 | | ±3° |

| | | | | | | |
|--|---------------------------|--|-----------------------------|---------------------|-----|-----|
| 55917-*** | | MODEL NO. | DIMENSIONS: | | SHT | REV |
| SCALE 4:1 | DESIGN UNITS mm □ INCH | PROJECTION | mm □ INCH | mm ONLY | 2 | 2 |
| DRAWN BY & DATE N.ITO '01/12/17 | | TITLE: 2.0mm W-t-B DUAL CONN DIP PLUG HOUSING ASS'Y ST (WITH BOSS) | | | | |
| CHECKED BY & DATE K.ASAKAWA '03/06/26 | | APPROVED BY & DATE T.YAMAGUCHI '03/06/26 | | | | |
| CAD FILENAME 55917003.S02 | | MATERIAL NO. SEE CHART | DRAWING NO. SD-55917-003 | SHEET NO. 2 OF 2 | | |
| THIS DRAWING CONTAINS INFORMATION THAT IS PROPRIETARY TO MOLEX INCORPORATED AND SHOULD NOT BE USED WITHOUT WRITTEN PERMISSION. | | | | | | |
| MOLEX INCORPORATED | | | | | | |
| EN-02J(097) MXJ-54 | | | | | | |

55917003.S02

SIZE B