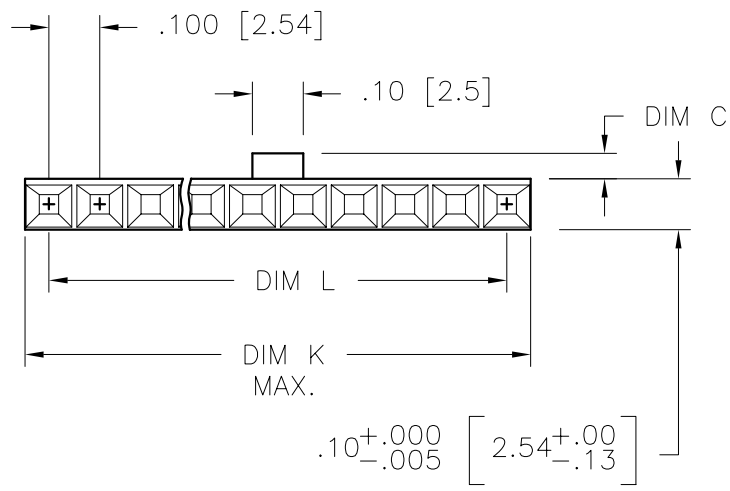
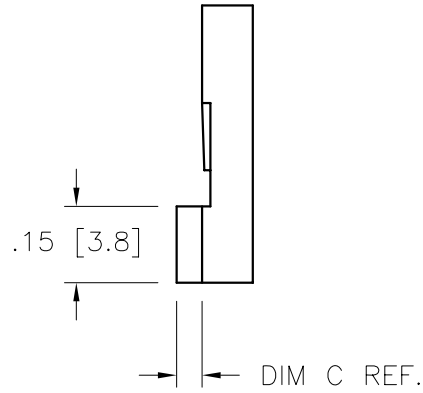
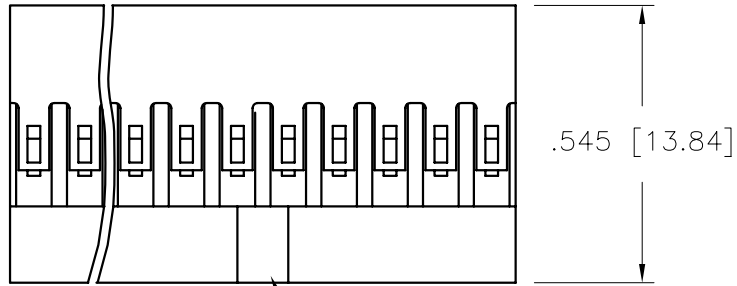


PRODUCT NO.
SEE TABLE



- NOTES:
- MOLDING MATERIAL: MODIFIED POLYPHENYLENE ETHER, FLAME RETARDANT PER UL-94V-0, COLOR: BLACK.
 - TO BE MATED WITH PIN $.225 \pm 0.015 / 5.72 \pm 0.38$ LONG.
 - THIS HOUSING IS INTENDED FOR USE WITH MINI PV™ WITH 22-36 AWG. WIRE.
 - FOR APPLICATION INFORMATION SEE TA-531. PRODUCT SPECIFICATION: BUS-12-067.
 - CORING CONFIGURATION IN POLARIZING KEY IS MANUFACTURING OPTION.
 - PRODUCT MEETS EUROPEAN UNION DIRECTIVES AND OTHER COUNTRY REGULATIONS AS DESCRIBED IN GS-22-008.
 - THIS PRODUCT IS NOT INTENDED TO BE EXPOSED TO MANUFACTURING SOLDER PROCESSES.



Copyright FCI

mat'l. code SEE NOTE 1				surface ✓	tolerance tolerances unless otherwise specified	projection ⊕	product family PV HOUSINGS
ltr	ecr no	dr	date	angles	linear	INCH/MM	title
K	v07-0533	HTB	2007-08-21				MINI LATCH HOUSING SR
-	-	-	-				POLARIZED .100 [2.54] CC
E	v90975	BKB	1999-06-24	0°±2'		scale 3:1	
F	v00478	RGD	2000-02-03	dr	M. FETROW	1989-07-12	dwg no
G	v03-1361	PJ	2004-02-16	engr	H. SUNDY	1989-07-12	sheet 1 of 2
H	v05-0716	TAB	2005-07-29	chr	H. SUNDY	1989-07-12	size
J	v06-0446	HTB	2006-05-15	appd	H. SUNDY	1989-07-12	A3
sheet	revision	K	K				type
index	sheet	1	2				Product Customer Drawing

PRODUCT NUMBER	NO OF POS	DIM K	DIM L	DIM C
78211-003LF	3	.300/7.62	.200/5.08	.050/1.27
78211-004LF	4	.400/10.16	.300/7.62	.050/1.27
78211-005LF	5	.500/12.70	.400/10.16	.050/1.27
78211-006LF	6	.600/15.24	.500/12.70	.050/1.27
78211-007LF	7	.700/17.78	.600/15.24	.050/1.27
78211-008LF	8	.800/20.32	.700/17.78	.050/1.27
78211-009LF	9	.900/22.86	.800/20.32	.050/1.27
78211-010LF	10	1.000/25.40	.900/22.86	.050/1.27
78211-011LF	11	1.100/27.94	1.000/25.40	.050/1.27
78211-012LF	12	1.200/30.48	1.100/27.94	.050/1.27
78211-013LF	13	1.300/33.02	1.200/30.48	.050/1.27
78211-014LF	14	1.400/35.56	1.300/33.02	.050/1.27
78211-015LF	15	1.500/38.10	1.400/35.56	.050/1.27
78211-103LF	3	.300/7.62	.200/5.08	.100/2.54
78211-105LF	5	.500/12.70	.400/10.16	.100/2.54
78211-106LF	6	.600/15.24	.500/12.70	.100/2.54



FCconnect.com

Copyright FCJ

mat'l. code SEE NOTE 1				surface <input checked="" type="checkbox"/>		tolerance		projection		product family PV HOUSINGS	
ltr	ecn no	dr	date	tolerances unless otherwise specified		angles		INCH/MM		title	
K				linear		linear		scale 1:1		MINI LATCH HOUSING SR POLARIZED .100 [2.54] CC	
				0'±2"		.XX±01/X±3				dwg no 78211 sheet 2 of 2 size A3	
				dr M. FETROW 1989-07-12		.XXX±005/XXX±13				type Product Customer Drawing	
				enrg H. SUNDY 1989-07-12		XXXX±0020/XXX±051					
				chr H. SUNDY 1989-07-12							
				appd H. SUNDY 1989-07-12							
sheet index	revision sheet										