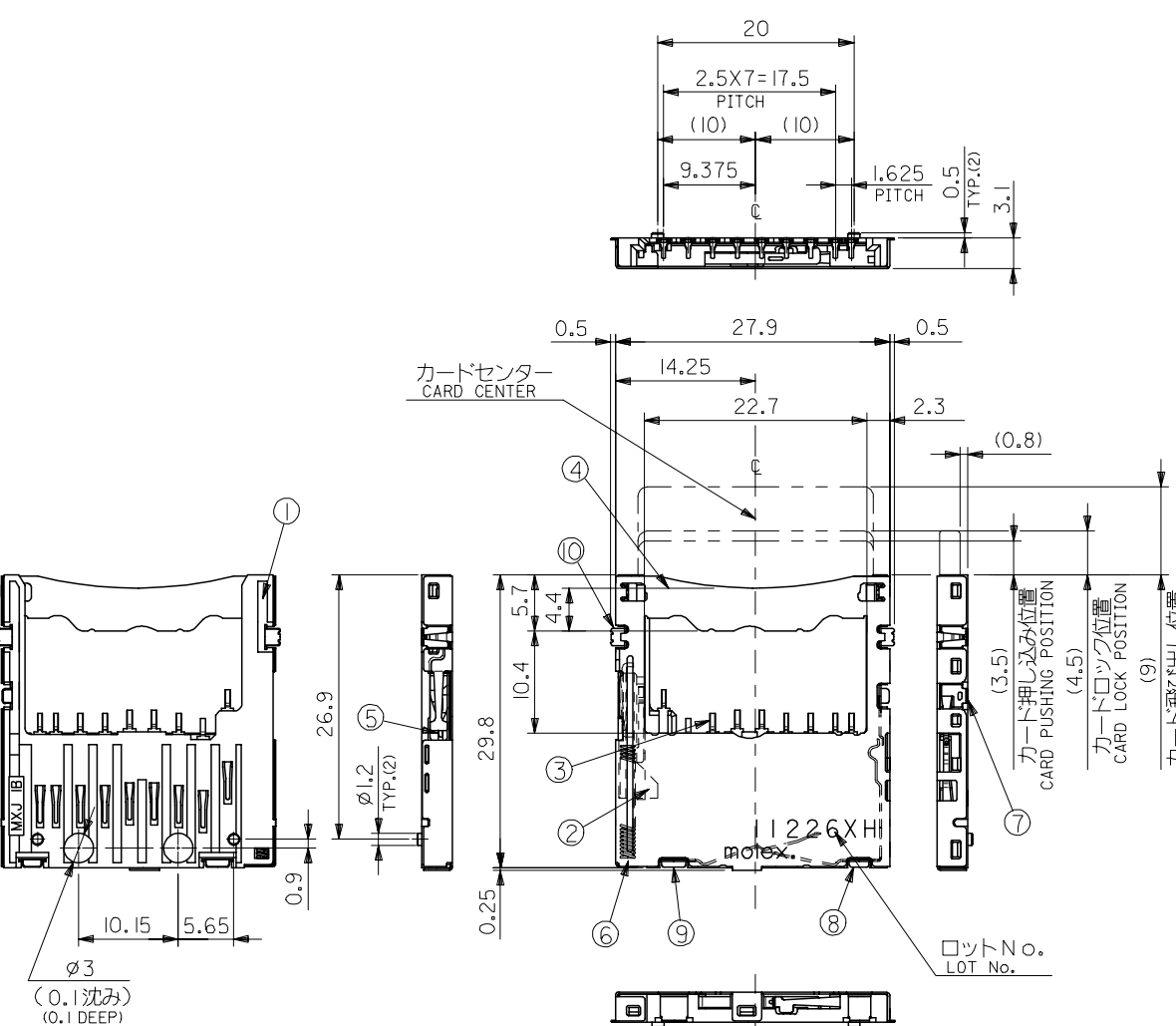


10 9 8 7 6 5 4 3 2 1

| NO. | NAME | QTY | MATERIAL |
|-----|---|-----|---|
| ① | ハウジング HOUSING | 1 | 耐熱樹脂 ,UL94V-0 色:黒 HEAT RESISTANCE POLYMER ,UL94V-0,BLACK |
| ② | スライダーカム SLIDER CAM | 1 | 耐熱樹脂 ,UL94V-0 色:黒 HEAT RESISTANCE POLYMER ,UL94V-0,BLACK |
| ③ | ターミナル TERMINAL | 9 | 銅合金 , 接点部:金メッキ COPPER ALLOY ,SELECTIVE Au PLATING |
| ④ | メタルカバー METAL COVER | 1 | ステンレス鋼 STAINLESS STEEL |
| ⑤ | ピン PIN | 1 | ステンレス鋼 STAINLESS STEEL |
| ⑥ | スプリング SPRING | 2 | ピアノ線 SWP |
| ⑦ | プロテクトターミナル PROTECT TERMINAL | 1 | 銅合金 , 接点部:金メッキ COPPER ALLOY ,SELECTIVE Au PLATING |
| ⑧ | プロテクト& ディテクトターミナル PROTECT TERMINAL AND DETECT TERMINAL | 1 | 銅合金 , 接点部:金メッキ COPPER ALLOY ,SELECTIVE Au PLATING |
| ⑨ | ディテクトターミナル DETECT TERMINAL | 1 | 銅合金 , 接点部:金メッキ COPPER ALLOY ,SELECTIVE Au PLATING |
| ⑩ | ネール NAIL | 2 | 銅合金 , 錫メッキ COPPER ALLOY ,TIN PLATING |



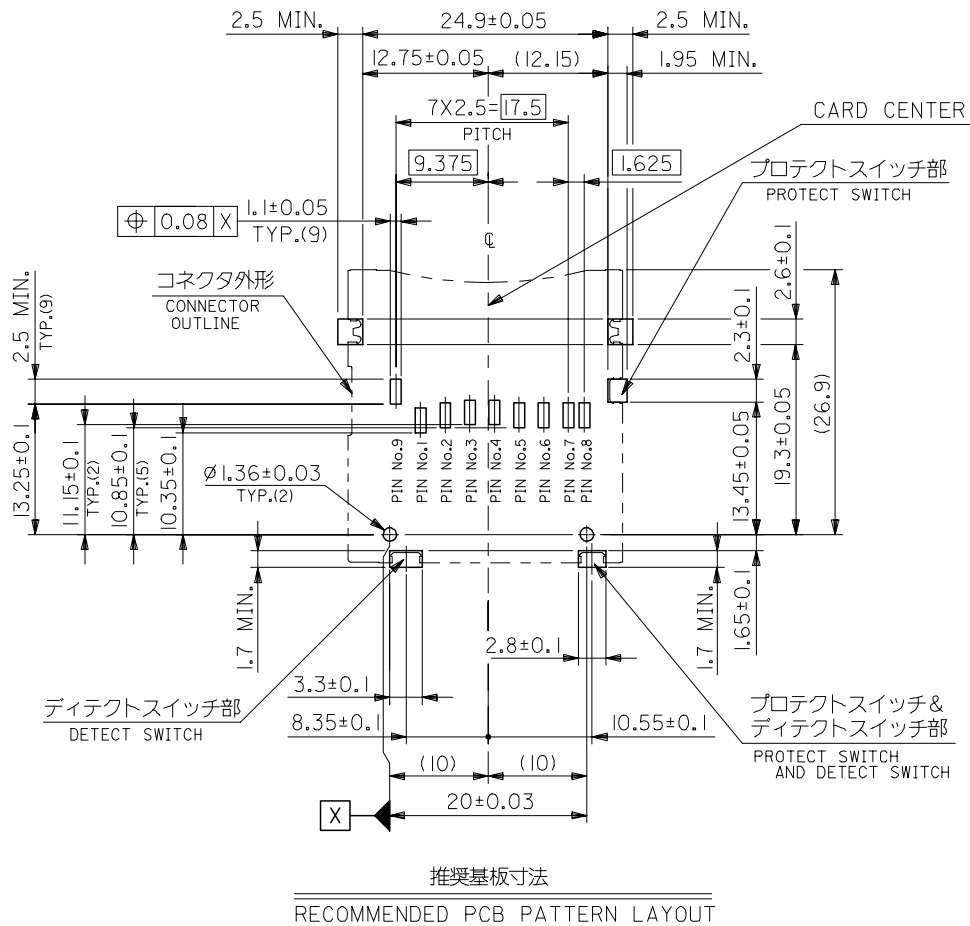
NOTES

- ターミナル及びネール平坦度は 0.1 MAX.
TERMINAL AND NAIL COPLANARITY TO BE 0.1 MAX.
- 各スイッチのオープン/クローズ
OPENING/CLOSE OF EACH SWITCH
- 納入時、プッシュ機構はアンロック状態。(カード飛び出し位置)
WHEN DELIVERING, THE PUSH/PUSH MECHANISM IS IN THE STATE OF THE UNLOCK. (CARD DASHING OUT POSITION)

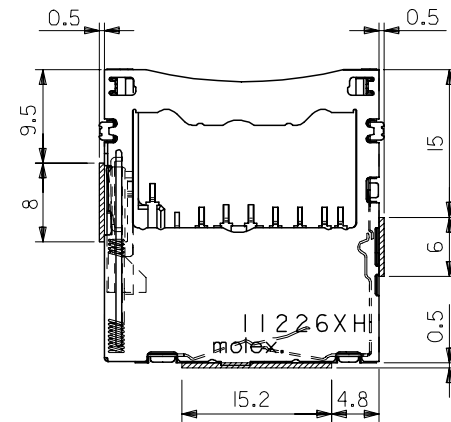
| | プロテクトターミナル PROTECT TERMINAL | | ディテクトターミナル DETECT TERMINAL |
|--------------------------------|--|---|-------------------------------|
| | カード書き込み 禁止状態 WRITE PROTECT POSITION | カード書き込み 可能状態 WRITE ENABLE POSITION | |
| カード未装着状態 CARD UNINSERTION | オープン OPEN | オープン OPEN | オープン OPEN |
| カード装着過程 CARD HALF INSERTION | クローズ CLOSE | クローズ CLOSE | オープン OPEN |
| カード装着 CARD INSERTION | オープン OPEN | クローズ CLOSE | クローズ CLOSE |

| | |
|----------------------------------|--|
| 500998-0900 | 500998-0909 |
| エンボス封包品 EMBOSSED TEPE PACKAGE | 製品番号 (トレイ封包品) MATERIAL NO. (TRAY PACKAGE) |
| MODEL NO.: 500998-**** | |

| | | | | | | | |
|--|---------------------------------------|--|----------------------------|-------------------------------|---|------------------------|---------------------------|
| RELEASED EC NO: J2006-3657 DRWNSKATAKA 2006/06/02 CHKD:MTANAKA 2006/06/02 APPR:NUKITA 2006/06/29 | GENERAL TOLERANCES (UNLESS SPECIFIED) | | DIMENSION STYLE MM ONLY | | SCALE 2:1 | DESIGN UNITS METRIC | THIRD ANGLE PROJECTION |
| | 10 UNDER | ±0.2 | DRAWN BY YSUGIURA | DATE 2004/12/07 | TITLE SD CARD CONN. ASS'Y (NOMAL TYPE) - LEAD FREE - | | |
| | 10 OVER 30 UNDER | ±0.25 | CHECKED BY MTANAKA | DATE 2004/12/07 | MOLEX INCORPORATED | | |
| | 30 OVER | ±0.3 | APPROVED BY NUKITA | DATE 2004/12/07 | MATERIAL NO. SEE CHART | | |
| ANGULAR ±3 ° | | DRAFT WHERE APPLICABLE MUST REMAIN WITHIN DIMENSIONS | | DOCUMENT NO. SD-500998-001 | | SHEET NO. 1 OF 2 | |
| THIS DRAWING CONTAINS INFORMATION THAT IS PROPRIETARY TO MOLEX INCORPORATED AND SHOULD NOT BE USED WITHOUT WRITTEN PERMISSION | | | | | | | |



推奨基板寸法
RECOMMENDED PCB PATTERN LAYOUT



部品実装禁止エリア
AREA OF PARTS MOUNTING PROHIBITION

| | | | | | | | |
|--|---------------------------------------|------------------|----------------------------|--|---|------------------------|------------------------|
| REVISED EC NO: J2006-3657 DRWNSKATAOKA 2006/06/02 CHKD:MTANAKA 2006/06/02 APPR:NUKITA 2006/06/29 | GENERAL TOLERANCES (UNLESS SPECIFIED) | | DIMENSION STYLE MM ONLY | | SCALE 2:1 | DESIGN UNITS METRIC | THIRD ANGLE PROJECTION |
| | 10 UNDER | ±0.2 | DRAWN BY YSUGIURA | DATE 2004/12/07 | TITLE SD CARD CONN. ASS'Y (NOMAL TYPE) - LEAD FREE - | | |
| | 10 OVER 30 UNDER | ±0.25 | CHECKED BY MTANAKA | DATE 2004/12/07 | MOLEX INCORPORATED | | |
| | 30 OVER | ±0.3 | APPROVED BY NUKITA | DATE 2004/12/07 | DOCUMENT NO. SD-500998-001 | | |
| | ANGULAR | ±3 ° | MATERIAL NO. | | SHEET NO. 2 OF 2 | | |
| DRAFT WHERE APPLICABLE MUST REMAIN WITHIN DIMENSIONS | | SEE SHEET 1 OF 2 | | THIS DRAWING CONTAINS INFORMATION THAT IS PROPRIETARY TO MOLEX INCORPORATED AND SHOULD NOT BE USED WITHOUT WRITTEN PERMISSION | | | |

10 9 8 7 6 5 4 3 2 1

F

E

D

C

B

A

F

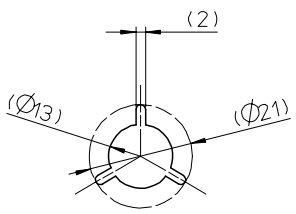
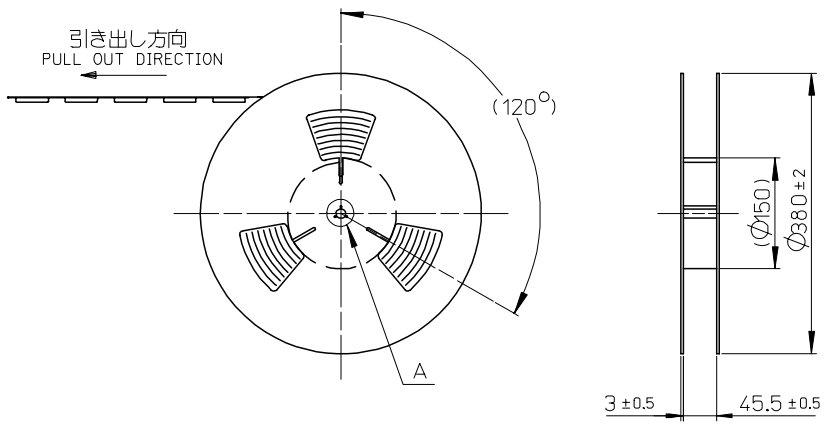
E

D

C

B

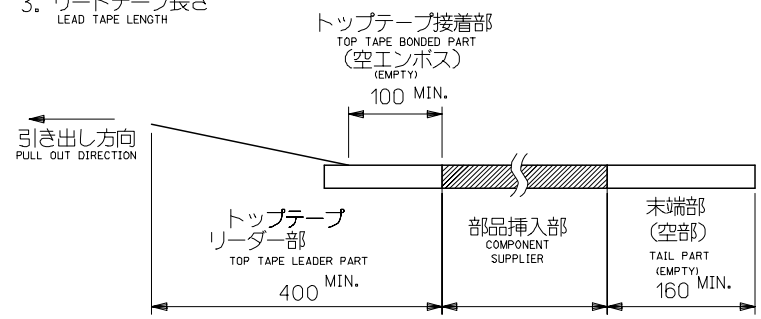
A



DETAIL A
SCALE 1:1

注)
NOTES

- 製品番号 500998-0909 の詳細寸法については、S/D 図面を参照下さい。
IN THE PACKAGE, PART NO. 500998-0909 DETAILED DIMENSIONS, SEE SALES DRAWING.
- 梱包数量 : 400 個/リール
NUMBER OF CONNECTORS : 400 PCS/REEL
- リードテープ長さ
LEAD TAPE LENGTH

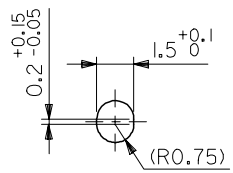


4. 材料

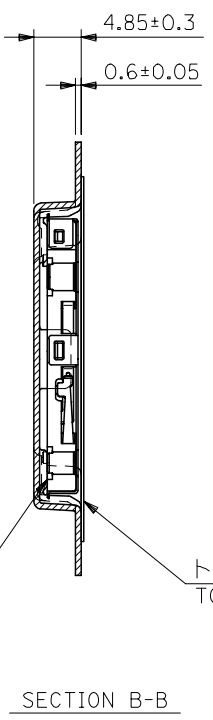
MATERIAL
 キャリアテープ : ポリプロピレン (PP)
 CARRIER TAPE : POLYPROPYLENE (PP)
 トップテープ : PET, PE, PEF
 TOP TAPE : PET, PE, PEF
 リール : 紙/プラスチック
 REEL : CARD BOARD/PLASTIC

500998-0900 500998-****
 MATERIAL No. MODEL No.

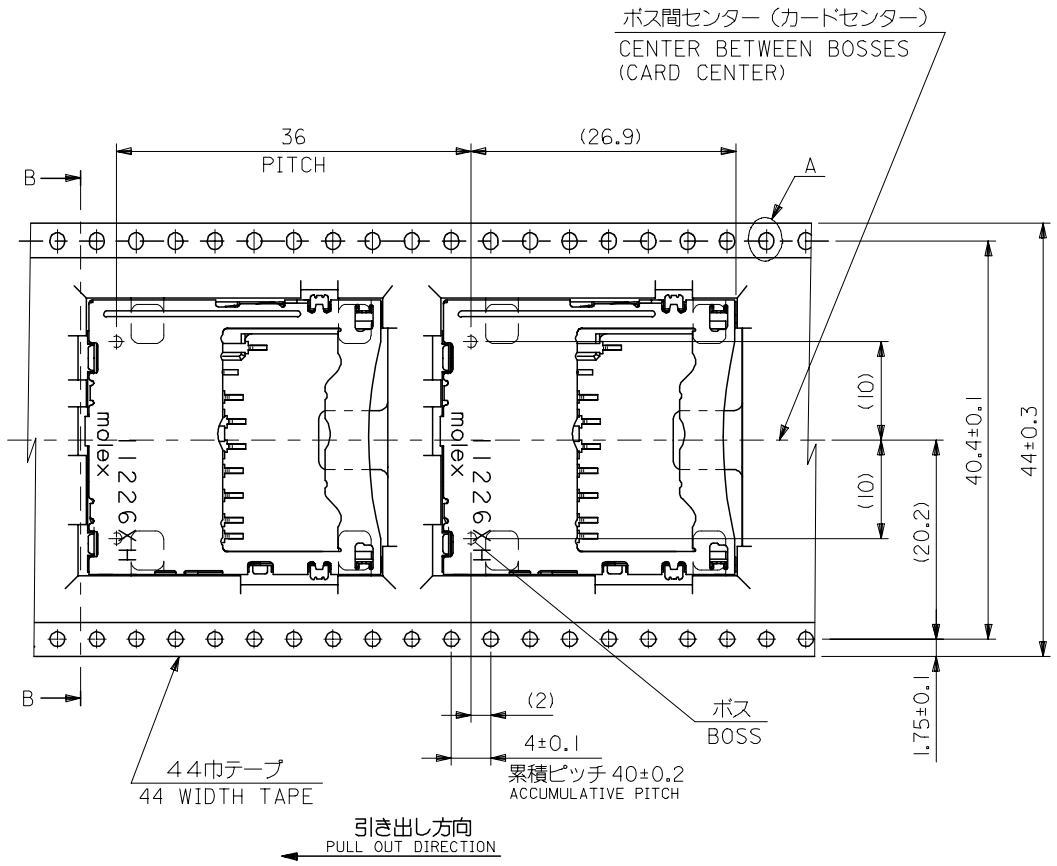
| | | | | | | | | |
|---|---------------------------------------|---|----------------------------|--------------------|--|------------------------|------------------------|--|
| REVISED EC NO: J2006-3331 DRWN: TAKEMOTO 2006/04/25 CHKD: TANAKA 2006/04/26 APPR: NUKITA 2006/05/01 | GENERAL TOLERANCES (UNLESS SPECIFIED) | | DIMENSION STYLE MM ONLY | | SCALE --- | DESIGN UNITS METRIC | THIRD ANGLE PROJECTION | |
| | 10 UNDER | ± 0.2 | DRAWN BY YSUGIURA | DATE 2004/12/10 | TITLE EMBOSS TAPE PACKAGE FOR 500998-0909 - LEAD FREE - | | | |
| | 10 OVER 30 UNDER | ± 0.25 | CHECKED BY MTANAKA | DATE 2004/12/10 | MOLEX INCORPORATED | | | |
| | 30 OVER | ± 0.3 | APPROVED BY NUKITA | DATE 2004/12/10 | | | | |
| | ANGULAR ± 3 ° | | MATERIAL NO. SEE CHART | | DOCUMENT NO. SD-500998-007 | | SHEET NO. 1 OF 2 | |
| DRAFT WHERE APPLICABLE MUST REMAIN WITHIN DIMENSIONS | | THIS DRAWING CONTAINS INFORMATION THAT IS PROPRIETARY TO MOLEX INCORPORATED AND SHOULD NOT BE USED WITHOUT WRITTEN PERMISSION | | | | | | |



DETAIL A
(5-1)



SECTION B-B



| | | | | | | | | |
|---|---------------------------------------|------------------|----------------------------|---|--|------------------------|------------------------|--|
| REVISED EC NO: J2006-3331 DRW:MTAKEMOTO 2006/04/25 CHKD:MTANAKA 2006/04/26 APPR:NUKITA 2006/05/01 | GENERAL TOLERANCES (UNLESS SPECIFIED) | | DIMENSION STYLE MM ONLY | | SCALE --- | DESIGN UNITS METRIC | THIRD ANGLE PROJECTION | |
| | 10 UNDER | ±0.2 | DRAWN BY YSUGIURA | DATE 2004/12/10 | TITLE EMBOSS TAPE PACKAGE FOR 500998-0909 - LEAD FREE - | | | |
| | 10 OVER 30 UNDER | ±0.25 | CHECKED BY MTANAKA | DATE 2004/12/10 | MOLEX INCORPORATED | | | |
| | 30 OVER | ±0.3 | APPROVED BY NUKITA | DATE 2004/12/10 | DOCUMENT NO. SD-500998-007 | | | |
| | ANGULAR | ±3 ° | MATERIAL NO. | | SHEET NO. 2 OF 2 | | | |
| DRAFT WHERE APPLICABLE MUST REMAIN WITHIN DIMENSIONS | | SEE SHEET 1 OF 2 | | THIS DRAWING CONTAINS INFORMATION THAT IS PROPRIETARY TO MOLEX INCORPORATED AND SHOULD NOT BE USED WITHOUT WRITTEN PERMISSION | | | | |