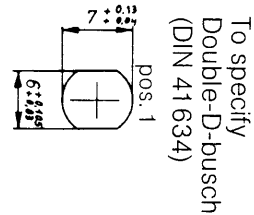
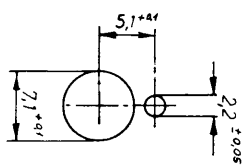
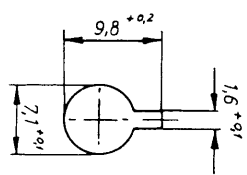
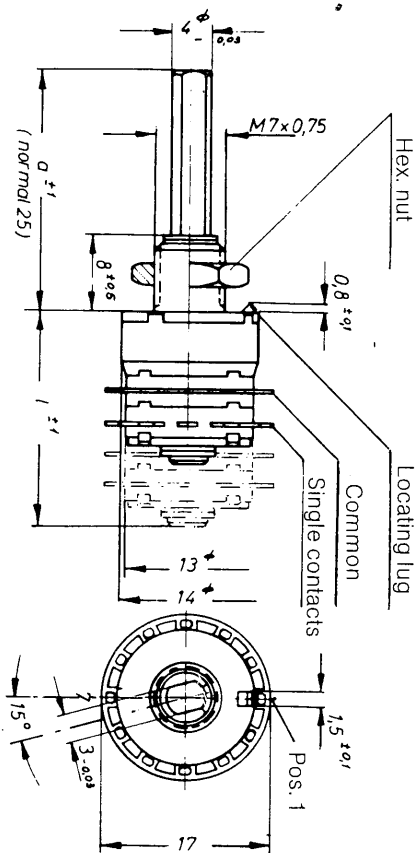


No. of wafers	1	2	3	4
l =	10	14	18	22

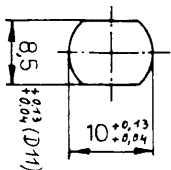
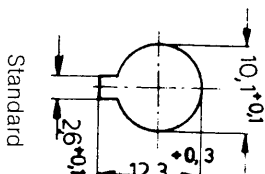
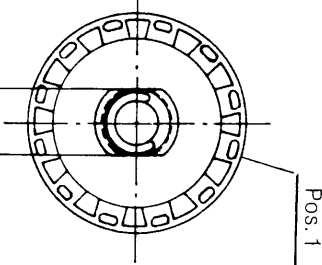
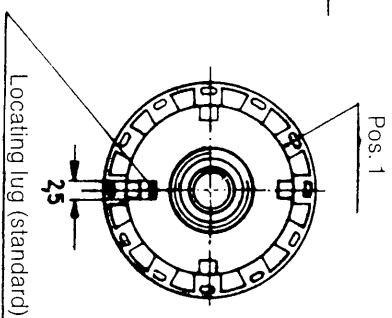
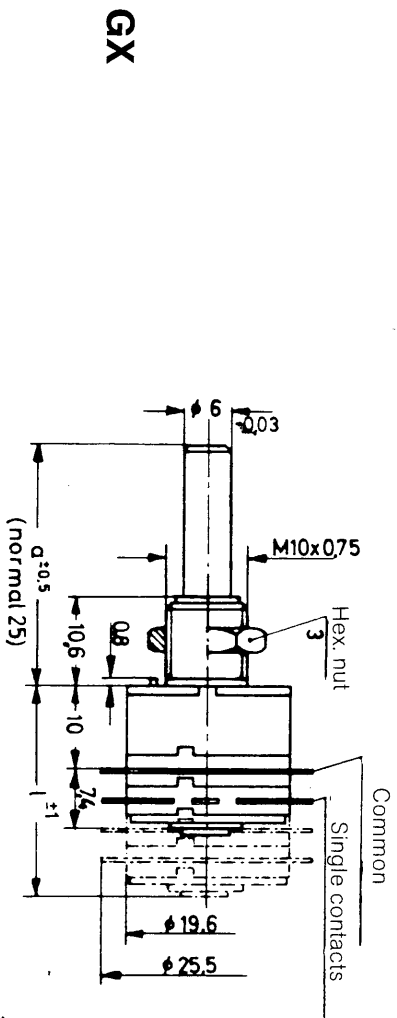
Standard shaft length a = 20 ± 0,5 mm
 Mounting bush water sealed:
 Bush length 6,5 mm; dimension l = + 0,5 mm.



Mounting hole in panel

No. of wafers	1	2	3	4	5	6
l =	16	22,5	29	35,5	42	48,5

Standard shaft length a = 25 ± 0,5 mm
 On request shaft 4 mm ϕ round.
 Mounting bush water sealed: Bush length 7 mm;
 shaft 4 mm ϕ round; mounting hole DIN 41 634.



Mounting hole

No. of wafers	1	2	3	each add. wafer
l =	19	26	33,5	7,4

Standard shaft length a = 25 ± 0,5 mm
 Drawing for sealed bush on request.

Standard contact arrangements