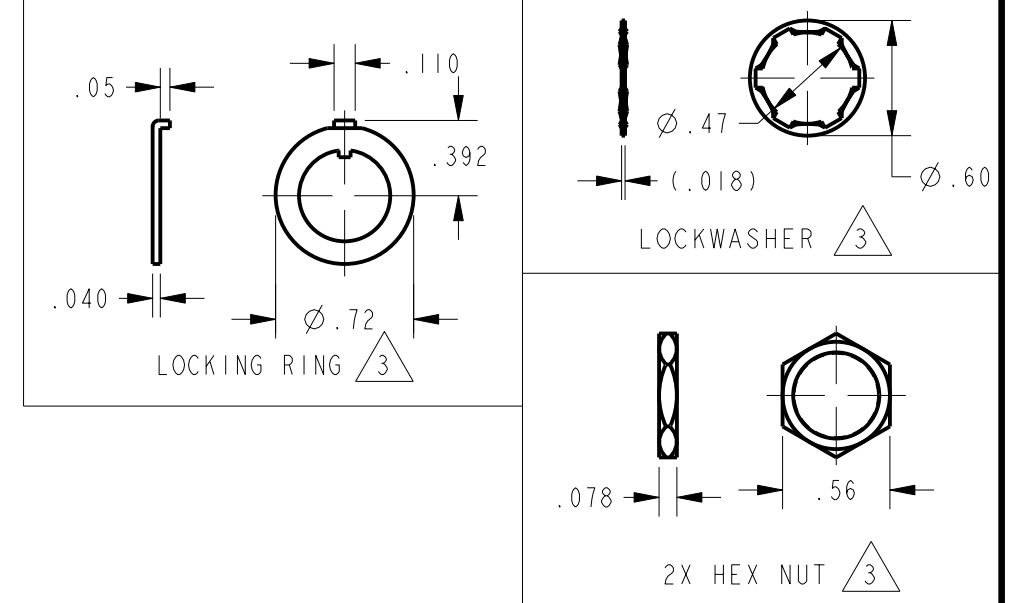
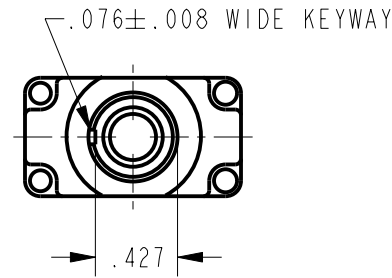


CATALOG LISTING 3INT91 SERIES CHART 1
 PAGE 1 OF 1
 RELEASE NO. PR-20625
 REPLACES -
 CHECK
 REVISIONS
 A C094360 TSM 20NOV99
 B 203335 GJW 20JUN01
 C 203551 GJW 06AUG01
 D 206707 TSM 7MAR03
 E 207782 CSL 27 MAR 03
 CHECK
 29NOV99
 SAV
 CHECK
 29NOV99
 DRAWN
 PTC/CAD 2D
 TSM

CATALOG LISTING	CIRCUIT MADE WITH TOGGLE LEVER IN 4			ELECTRICAL DATA
	KEYWAY SIDE (1-2)	CENTER (1-2)	OPPOSITE KEYWAY (2-3)	
3INT91-1	ON	OFF	ON	L191 15A 125, <u>250</u> , 277 VAC 1/2HP 125 VAC 1HP <u>250</u> , 277 VAC 5A 125 VAC "L" CE UL
3INT91-2	OFF	NONE	ON	
3INT91-3	ON	NONE	ON	
3INT91-21	NONE	OFF	ON	
3INT91-31	NONE	ON	ON	
C	MOM OFF	NONE	ON	L192 10A 125, <u>250</u> , 277 VAC 1/4HP 125 VAC, 1/2HP <u>250</u> , 277 VAC 3A 125 VAC "L" CE UL
3INT91-5	MOM ON	OFF	ON	
3INT91-6	MOM ON	NONE	OFF	
3INT91-7	MOM ON	OFF	MOM ON	
3INT91-8	MOM ON	NONE	ON	
3INT91-51	NONE	ON	MOM ON	
3INT91-61	MOM ON	OFF	NONE	



- NOTES
- SWITCH WILL WITHSTAND TEMPERATURE OF 160°F CONTINUOUSLY AT FULL RATED LOAD
 - MICRO SWITCH CAT. LIST. MARKED ON SIDE OF SWITCH
 - FURNISHED UNASSEMBLED
 - APPLIES ONLY TO "ON" AND "MOMENTARY ON" POSITIONS
 - TO ORDER WITHOUT HARDWARE ADD (-NH) SUFFIX TO CATALOG LISTING

THIRD ANGLE PROJECTION	
SCALE	FULL
DO NOT SCALE PRINT	
UNLESS OTHERWISE SPECIFIED TOLERANCES ARE	
ONE PLACE	(.0) ±.030
TWO PLACE	(.00) ±.015
THREE PLACE	(.000) ±.005
ANGLES	±
WEIGHT	.07 LB APPROX