

FIBOX EK

FOUR EASY STEPS TO BUILD A DISTRIBUTION PANEL THAT WORKS

BASE

FURNISH

CLAD

ROOF



Medium to large size enclosures manufactured using impact resistant polycarbonate.

Available with one or more flange openings. The flange openings allow modular assembly of several enclosures and the addition of various size cable glands and knockout flanges. Select from a large selection of standard flanges or request flanges machined separately to customer specifications. The EK bases feature multiple mounting pods.

A large range of accessories is available.

BASE

EXAMPLE OF THE ASSEMBLY OF ONE ENCLOSURE

THE SIZE OF THE WHOLE ENCLOSURE ACCORDING TO THE LETTER:
The enclosure sized (280x190x230) can be assembled as follows:

- Base, EKJB 280x190x100
- Mounting plate, EKJVT 238x148
- Extension frame, EKJZR 280x190x50
- Cover with hinges, EKJ30-G-2FSH 280x190x80

- Base, EKOE 280x280x100
- Front plate, FP 12x2-2828
- Extension frame, EKOZR

C459.8 Tm17 0 0 Tw58100ORDER

Screw, SS10256

The order symbol indicates the size (FP 12x2-2828) or the toolnumber (SS 10256) of some products



ASSEMBLY ENCLOSURES

	ORDER SYMBOL	SIZE
Connector set + 4 screws	MB 10671	1
Connector set + 4 screws	MB 10670	2
Connector set + 4 screws	MB 10672	3
Plastic head screw for the assembly of bases with size 1 opening	MB 10472	M6x30
Plastic head screw for the assembly of bases with size 2 openings	MB 10474	M8x30
Lock nuts for plastic head screws	M6 M8	M6 M8

The plate connectors can be used to assemble bases or flanges and bases

Plastic head screw

EXTENSION FRAMES

	SIZE mm
EKJZR	280x190x50
EKMZR	380x190x50
EKOZR	280x280x50
EKPZR	380x280x50
EKTZR	560x280x50
EKUZR	560x380x50

Extension frame 50 mm, between base and cover.

Extension frame screws included



SUPPORT FLANGES

	ORDER SYMBOL	SIZE
Support flange	MB 10025	2
Support flange	MB 10026	1



WALL FASTENING LUG

Separate enclosures and small distribution panels (2-4 enclosures) can be assembled straight to the wall with screws or with wall fastening lugs.

	ORDER SYMBOL
Wall fastening lug set, 4 pcs incl. screws	MB 10674



FASTENING OF BIG SYSTEMS

	ORDER SYMBOL
Connecting rail, standard length 2000 mm	EKZKH1
Stud rail, standard length 2000 mm	EKSZY2
Lock for connecting rail	EKZKH1



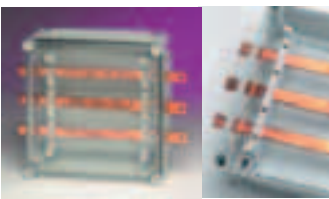
THE BASE CONNECTORS

	ORDER SYMBOL	SIZE
Connection bridge and gasket	MB 10717	2
Connection bridge and gasket	MB 10718	3

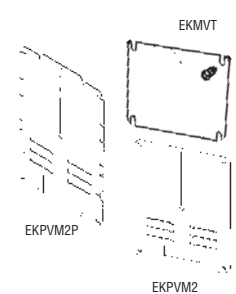
The plate connectors can be used for assembling bases together or flanges to bases.



FURNISH



MOUNTING PLATES



Mounting plate, metal
 Mounting plate, metal
 Mounting plate, metal
 Mounting plate, metal
 Mounting plate, metal
 Mounting plate, metal

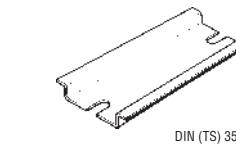
ORDER SYMBOL	SIZE mm
EKHVT	148x148
EKJVT	238x148
EKMVT	338x148
EKQVT	238x238
EKQVT	338x238
EKTVT	518x238
EKUVT	518x338

Note!
 EK-mounting plates also for Solid-enclosure.

KWh-mounting plate, metal
 KWh-mounting plate, plastic
 Accessory screws for mounting the KWh meter

EKPVM2	338x238
EKPVM2P	338x238
M6x16	6x16

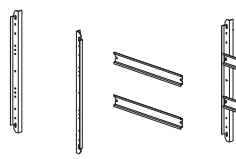
DIN RAILS



DIN-rail
 DIN-rail
 DIN-rail
 DIN-rail
 Self-cutting mounting screw

ORDER SYMBOL	SIZE mm
EKV 12	35x160
EKV 22	35x235
EKV 32	35x335
EKV 50	35x500
MSM PT 5x10	4.8x9.5

DIN RAIL FRAME

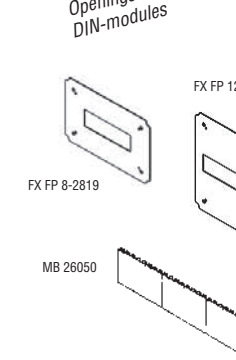


DIN frame profile
 DIN frame profile
 DIN frame profile
 DIN frame profile

ORDER SYMBOL	SIZE mm
MS PROF 19	87
MS PROF 28	166
MS PROF 38	266
MS PROF 56	444

Screws for DIN-rail (terminal) assembly order MSM PT 5x10

FX FP FRONT PLATES FX20 SET -CORNER STUDS

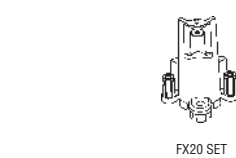


Blue 2 mm PC front plate
 Blue 2 mm PC front plate
 Blue 2 mm PC front plate
 Blue 2 mm PC front plate

ORDER SYMBOL	SIZE mm
FX FP 8-2819	280x190
FX FP 12-2828	280x280
FX FP 2*12-2838	280x380
FX FP 3*12-2856	280x560

Cover plate (12 mod.) MB 26050

CORNER STUD FX 2000

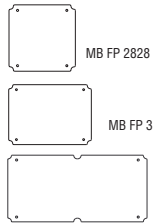


Set of corner studs FX 2000
 Corner stud FX 2000 (separate)
 Front plate screw FX 2000
 PE/N brass bar
 Screws for mounting PE/N brass bar

ORDER SYMBOL	SIZE mm
FX20 SET	
MB 10791	
MB 10792	
MS BAR 2+18	10x6.5x187
MR 28005EU	40x18

FURNISH

MB FP FRONT PLATES FOR MB 60MM BUS-BAR HOLDES



	ORDER SYMBOL	SIZE mm
Blue 2 mm PC front plate	MB FP 2828	280x280
Blue 2 mm PC front plate	MB FP 3828	380x280
Blue 2 mm PC front plate	MB FP 5628	560x280

60 MM BUS-BAR



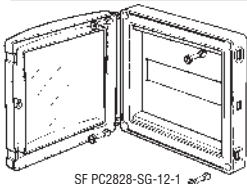
ORDER SYMBOL
MB 60MM

Bus-bar support set
incl. screws and support

For assembling to middle of the enclosure use screws KN4.8x13

RATED CURRENT	250 A	400 A
Bus-bar sizes	L1, L2, L3 20 x 5 mm	20 x 10 mm
	PE/N 15 x 5 mm	15 x 5 mm

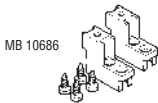
SOLID FRAME COVERS



	ORDER SYMBOL	SIZE mm
Solid Frame covers		
With opening 1x12 mod.	SF PC2828-SG-12-1	280x280x54
With opening 2x12 mod.	SF PC2828-SG-12-2	280x280x54

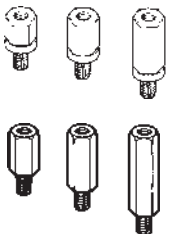
DIN-rail EKV 22 35x235

Note!
SOLIDFRAME cover fits to
EKOE and SOLID 2828 bases



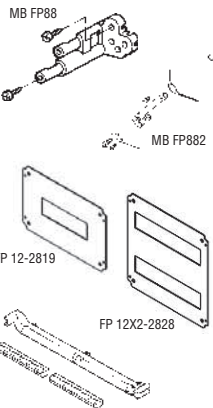
Extension for DIN rail/mbc MB 10686 15/34

SPACERS

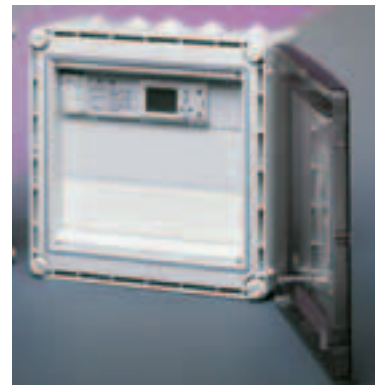


	ORDER SYMBOL	SIZE mm
M6 spacers, self-cutting for corners of the base	MR 10726	15
M6 spacers, self-cutting for corners of the base	MR 10727	20
M6 spacers, self-cutting for corners of the base	MR 10728	30
M6 spacers, self-cutting for corners of the base	MR 10729	54
M6/M6 extension for MR spacer	HR 10	10
M6/M6 extension for MR spacer	HR 15	15
M6/M6 extension for MR spacer	HR 20	20
M6/M6 extension for MR spacer	HR 30	30
M5 spacers, self-cutting for middle mounting pods	FA 12052	42
	FA 12053	14

FP FRONT PLATES FOR FB88 AND FP882 SPACERS



	ORDER SYMBOL	SIZE mm
Distance spacer for front plates, 1set, 2 pcs	MB FP88	88
Distance spacer for front plates, 1set, 2 pcs	MB FP882	88
FP front plate with DIN-openings	FP12-2819	280x190
FP front plate with DIN-openings	FP12-2828	280x280
FP front plate with DIN-openings	FP12x2-2828	280x280
FP front plate with DIN-openings	FP12x2-2838	280x380
FP front plate with DIN-openings	FP12x3-2838	280x380
FP front plate with DIN-openings	FP12x3-2856	280x560
N/PE-terminal bracket, incl. 2 pcs of MR 26100 terminals (16-holes)	MB 26069SET	
Terminal bus-bar clamp, 25 mm ²	MS BAR CLAMP	
Terminal bus-bar clamp, 35 mm ²	MR 26145	



PLATES

METRIC!



MEMBRANE FLANGE PLATE

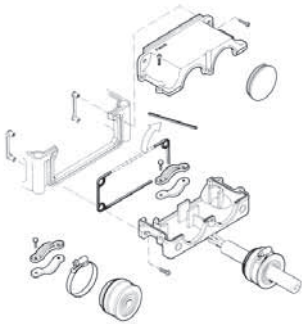
PLATE EXTENSION

WATER PLUG VENTILATOR



GLAD

CABLE ENTRY BOXES



Including: base, cover, cover screws, 1 blind plug,
1 pull-off, hose clamp with screws, membrane
cable gland, and plate connector set.

ORDER SYMBOL

MB 2260

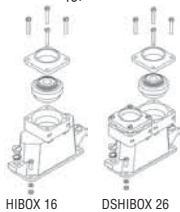
Accessory set
Including: membrane cable gland, pull-off,
and hose clamp with screws.

MB 2260A



Use plastic head screws
for assembly

CABLE ENTRY



HIBOX 16

DSHIBOX 26



EPA 2160



EPA 2260



MK 10426



MK 10428

Cable entry, 1 cable (incl. rubber gasket)
Cable entry, 2 cables (incl. rubber gasket)

Cable entry (1 cable)
Cable entry (2 cables)
Cable entry (1 cable)
Cable entry (2 cables)

ORDER SYMBOL FLANGE SIZE

HIBOX 16 2
DSHIBOX 26 2

EPA 1130 1
EPA 1230 1
EPA 2160 2
EPA 2260 2

Rubber gasket for cable entry EPA 1130-1230
Rubber gasket for cable entry EPA 2160-2260

MK 10426 10-31
MK 10428 28-60



CABLE GLANDS

METRIC!



Metric Cable gland, PA
PA=cable glands in polyamide
Grey RAL 7035
Temperature range
-40° (+100°)
New metric
dimensions EN 60423!

ORDER SYMBOL	FOR CABLE mm	METRIC SIZE	CLEARANCE HOLE Ø mm
GPA M12	3-6	M12x1,5	12,5
GPA M16	5-10	M16x1,5	16,5
GPA M20	8-13	M20x1,5	20,5
GPA M25	11-17	M25x1,5	25,5
GPA M32	15-21	M32x1,5	32,5
GPA M40	19-28	M40x1,5	40,5
GPA M50	27-35	M50x1,5	50,5
GPA M63	32-42	M63x1,5	60,5



Metric Hexagonal lock nut PA
B=lock nuts for cable gland,
polyamide

GPA M12-B	M12x1,5
GPA M16-B	M16x1,5
GPA M20-B	M20x1,5
GPA M25-B	M25x1,5
GPA M32-B	M32x1,5
GPA M40-B	M40x1,5
GPA M50-B	M50x1,5
GPA M63-B	M63x1,5



Membrane cable glands
EPDM
IP 65 (EN 60529)
Wall thickness (C) 1,5 -5 mm

ORDER SYMBOL	FOR CABLE mm	METRIC SIZE	CLEARANCE HOLE, PG
FEM 3-5	3-5	M12	12,5
FEM 5-7	5-7	M16	16,5
FEM 7-10	7-10	M20	20,5
FEM 10-14/23	10-14	M23/PG16	23,5
FEM 10-14/25	10-14	M25	25,5
FEM 14-20	14-20	M32	32,5
FEM 20-26	20-26	M40	40,5
FEM 26-35	26-35	M50	50,5
FEM 30-45	30-45	M60	60,5



Multifem

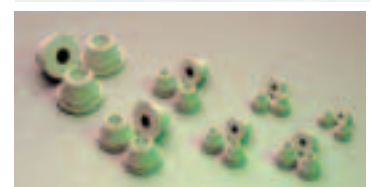
ORDER SYMBOL FOR CABLE CLEARANCE HOLE, PG

ORDER SYMBOL	FOR CABLE mm	CLEARANCE HOLE, PG
MFM 8-12	3x6-10, 3x10-14	M50 50,5



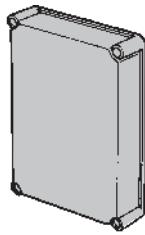
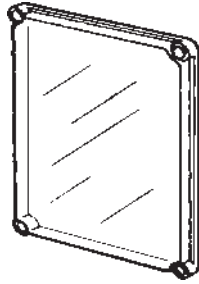
Membrane cable glands
Flame resistance UL 96-V2
Grey RAL 7035
Temperature range
-50°C +70°C
Fet 5-7 for cables 5-7 ø
Fet 7-10 for cables 7-10 ø etc.

FET 5-7	5-7	PG 9
FET 7-10	7-10	PG 11
FET 8-14	8-14	PG 16
FET 14-20	14-20	PG 21
FET 20-26	20-26	PG 29
FET 26-35	26-35	PG 36

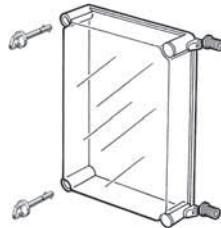
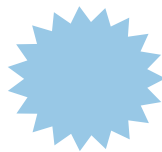




COVERS
















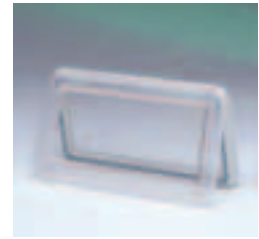
EKM 80-G



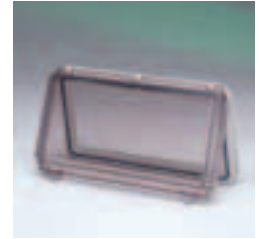
ROOF

COVERS SCREWS

	ORDER SYMBOL	FOR COVERS
 Wing head screw	HS 10255	30
 Slotted head screw, sealable	SS 10535	30
 Triangle head screw	DS 10581	30/80/100
 Cross head screw	CS 10256	30/100
 Slotted head screw, quick-lock, *)	SS 10544	30/100
 Wing head screw, quick-lock, *)	HS 10533	30
 Quick-locking wing head screw, hinged, *)	HS 10532	30
 *) Threaded bushing	MB 10534	
 *) Threaded bushing (needed for quick-locking screws)		
 Cross head screw	SS 10563	80
 Wing head screw	HS 10562	80
 Noryl slotted head screw (good chemical resistance)	SS 10256N	30
 Noryl wing head screw (good chemical resistance)	HS 10255N	30
Set of four cross head screws	SS 10256-4	30/100
Set of six cross head screws	SS 10256-6	30/100
Set of four cross head screws	SS 10563-4	80



L 12 clear



L 12 II transparent smoked grey



L 13 clear



SOLID FRAME application



L 24 clear

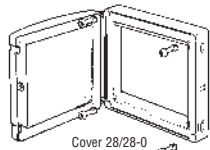
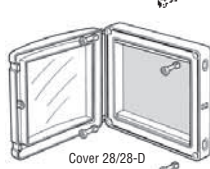
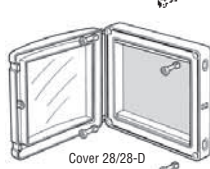


L 44 II transparent smoked grey



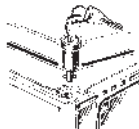
L 43 II transparent smoked grey

SOLID FRAME

	ORDER SYMBOL	SIZE mm
 Frame, with opening	Cover 28/28-0	280x280
 Front plate aluminium	FP 28/28	
 Frame, no opening	Cover 28/28-D	280x280
	MR 26065	

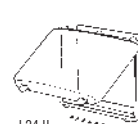
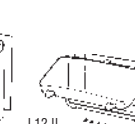






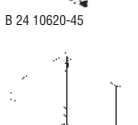
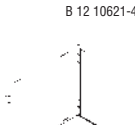

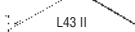


Solid Frames also fit EKOE and SOLID 2828 beses.

KEY-LOCK SET

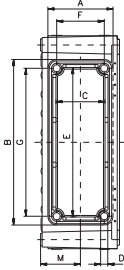
	ORDER SYMBOL
 Key-lock set incl., lock and 2 keys for 30 mm covers	MB 10597

INSPECTION WINDOWS

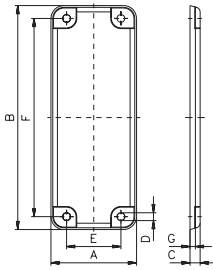
The order symbol indicates the amount of the DIN modules for example L08=8 modules.

	ORDER SYMBOL	SIZE mm
 Windows, IP 65	L12 II	248x128
 Windows, IP 65	L24 II	248x128
 Windows, IP 65	L12	248x128
 Windows, IP 65	L24	248x128
 Windows, IP 65	L13	257x108
 Windows, IP 54	L10	199x77
 Windows, IP 54	L08	162x77
 Windows, IP 54	L06	130x77
 Windows, IP 54	L04	96x77
 Windows, IP 54	L02	60x77
 Front plates for L 12 windows	B12 10621-45	
 Front plates for L 24 windows	B24 10620-45	
 Large size windows, IP 65, for enclosure EKW 100-G	L44 II	377x331
	L43 II	331x277

DIMENSIONAL DRAWINGS



FLANGE OPENINGS								
Plate size	Dimensions							
	A	B	C	D	E	F	G	M
1	48	138	33	7	121	30	120	31
2	86	217	63	9,5	195	62	193	52
3	127	332	101	11,5	306	80	292	71



COVER PLATES								
Order symbol	Plate size	Dimensions						
		A	B	C	D	E	F	G
MB 10215	1	49	140,5	10	7	30	120	5
MB 10546	2	85	217	10	9,5	62	193	5
MB 10324	3	127	332	15	11,5	80	292	8

TECHNICAL INFORMATION

PROPERTY	POLYCARBONATE (PC)	CONFORMITY TO STANDARDS
Ingress Protection (EN 60529)	IP66/IP67	USA Enclosures for Electrical Equipment PC: UL Type 1, 3, 3S, 4, 4X, 6, 6P and 12 (UL 50/508)
Impact Resistance (EN 50102)	IK 08	Canada Industrial Control Equipment Enclosures for Electrical Equipment/ULc
Temperature Range (short term)	Celsius: -40° . . 120°C Fahrenheit: -40° . . 250°F	Europe Enclosures for Switch Gear and Control Gear Assemblies EN 50298:1998
Temperature Range (continuous)	Celsius: -40° . . 80°C Fahrenheit: -40° . . 175°F	Europe Safety of Information Technology Equipment EN 60950
Electrical Insulation	Totally insulated <input checked="" type="checkbox"/>	Australia Enclosures for switch gear and control gear AS 3132-1991
Light Grey Parts Colour	RAL 7035	DNV PC: DNV Rules for Classification of Ships and Mobile Offshore Units
Transparent Clear PC Cover	Clear Transparent	GL PC: GL Regulations for the Performance of Type Test, Part 1
Cover Screws	RAL 7035	
Cover Screws	Polyamide (PA)	LR Marine offshore and industrial installations
Gasket	PUR	BV BV Rules
Enclosure Flammability Rating	UL94-5V	UL 746 C 5 in. vertical flame test
Glow Wire Test	960°C	IEC 695-2-1, Self-extinguishing
Non-toxicity	Halogen Free	DIN/VDE 0472, Part 815
UV resistance	UL 508	CE, FI -mark
Chemical Resistance *	720 hours in "Weatherometer" Good	

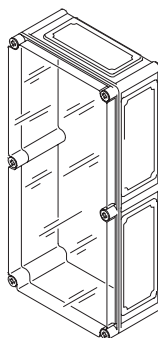
Data subject to change without notice. *Consult separate raw material data for more detailed information

NEW!

EK enclosure sets

Some most popular EK sizes are now available as complete enclosures with just one order symbol.

Sets include base, cover and cover screws. Naturally same wide SOLID/EK accessory range allows you to customise these "easy-to-order" sets to your needs.



EKTH 130 T

ORDER SYMBOL	SIZE mm
EKHA 130 G	190x190x130
EKJB 130 G	280x190x130
EKMB 130 G	380x190x130
EKOE 130 G	280x280x130
EKPE 130 G	380x280x130
EKTH 130 G	560x280x130
EKUH 180 G	560x380x180
EKWH 250 G	760x560x250
EKHA 130 T	190x190x130
EKJB 130 T	280x190x130
EKMB 130 T	380x190x130
EKOE 130 T	280x280x130
EKPE 130 T	380x280x130
EKTH 130 T	560x280x130
EKUH 180 T	560x380x180