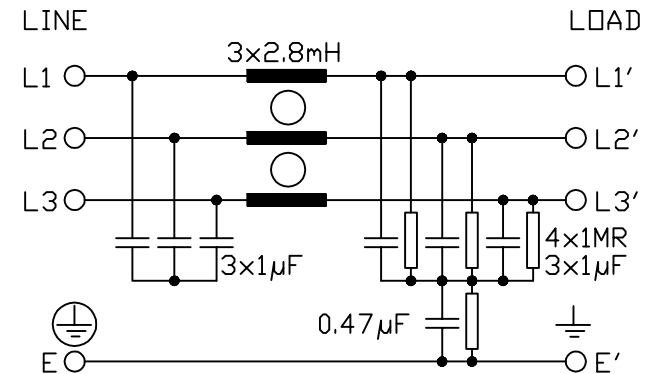
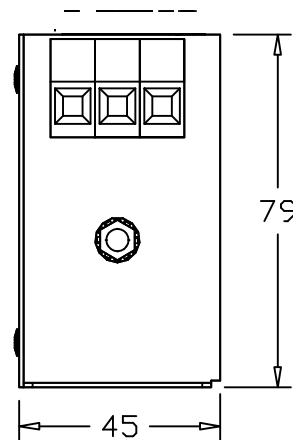
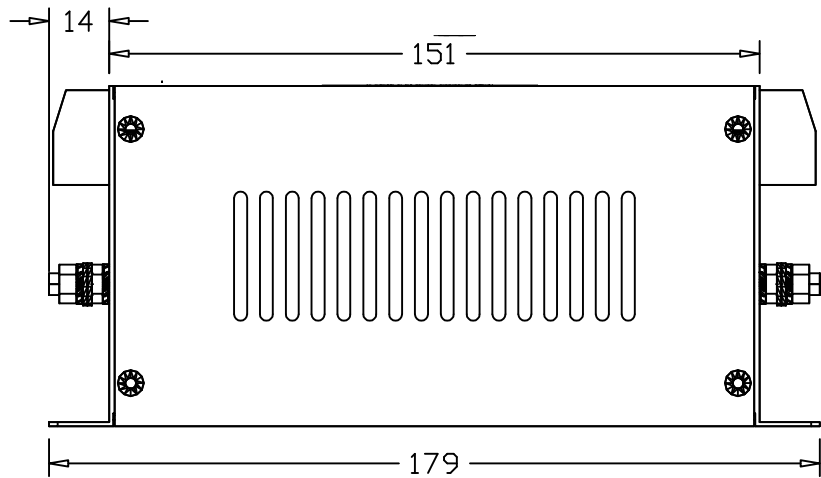


SPECIFICATIONS

VOLTAGE 500Vac
 FREQUENCY 50/60Hz
 CURRENT 10A @ 40°C
 TEMPERATURE -25 TO 100°C
 LEAKAGE CURRENT 21mA @ 500V 50Hz
 HUMIDITY 90% RH (NON-CONDENSING)
 VIBRATION 10-200Hz 1.8G
 SURGE 4500Vpk 1.2/50µs
 ELECTRIC STRENGTH 2250Vac/1min.
 POWER DISSIPATION 4.2W
 MASS 0.49kg
 TERMINALS 4sqmm TERMINAL BLOCK
 EARTH TERMINALS M5 STUD
 FLANGE MOUNTING 4x M5



STANDARD FILTER

ALL DIMENSIONS IN MM / ANGLES IN DECIMAL DEGREES

ROXBURGH ELECTRONICS LTD

TITLE 3 PHASE 10A 500V INDUSTRIAL FILTER

DwgNo **KMF310-GS**

ISSUE **2**

GENERAL SPECIFICATION
FOR KMF310

CUSTOMER

REFERENCE

Sheet 1of1 | Aprvd Date 26/09/97 | Aprvd By AT | Drwn by AT | SCALE | CNN | Location N: \DWG\GS\GS000079

© ROXBURGH ELECTRONICS LTD, FOXHILLS INDUSTRIAL PARK, SCUNTHORPE, NORTH LINCOLNSHIRE, DN15 8QJ TEL +44 1724 281770 F +44 1724 270230