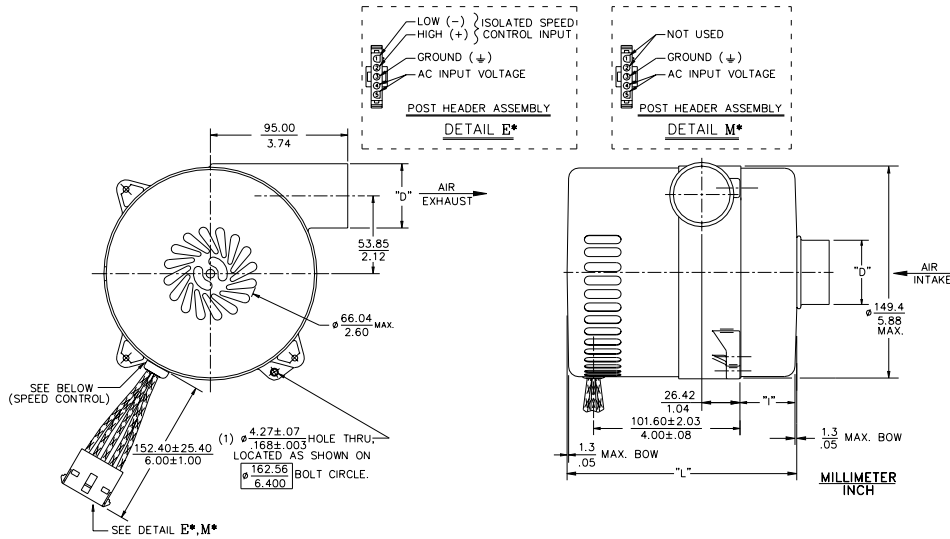


# Tech Bulletin

## 5.7" (145mm) DC Bypass Blower

## 1200 WATT, 240 VOLT



Blower Data	Unit of Measure	Part Number			
		Standard Flow	High Flow		Ultra Flow
		117416 M*	119152 M*	119154 M*	
		117415 E*	119151 E*	119153 E*	119155 E*
Stages		3	1	2	1
Vacuum, Max. (Sealed Vacuum)	in. H <sub>2</sub> O	135	50	91	33
	mBar	335	124	226	82
Pressure, Max. (Sealed Pressure)	in. H <sub>2</sub> O	144	54	97	39
	mBar	357	134	241	97
Flow Rate, Max. (Open Flow)	CFM	82	190	156	307
	L/sec	39	90	74	145
Inlet/Outlet Diameter	inches	1.25	1.75	1.75	2.75/2.50
(Dimension "D" above)	mm	31.75	44.45	44.45	69.85/63.50
Length (Dimension "I" above)	inches	2.12	.47	1.53	.70
	mm	53.85	11.94	38.86	17.78
Length (Dimension "L" above)	inches	6.87	5.11	6.35	5.47
	mm	174.50	128.77	161.29	138.94

### Typical Performance Points

Air Flow	Pressure			
0 CFM	in. H <sub>2</sub> O	144.3	54.0	97.0
20 CFM	in. H <sub>2</sub> O	129.1	53.9	92.5
40 CFM	in. H <sub>2</sub> O	102.9	51.1	85.8
60 CFM	in. H <sub>2</sub> O	60.8	47.0	75.9
80 CFM	in. H <sub>2</sub> O	10.8	43.2	62.3
100 CFM	in. H <sub>2</sub> O		37.0	40.5
120 CFM	in. H <sub>2</sub> O		29.4	32.1
140 CFM	in. H <sub>2</sub> O		22.3	15.0
160 CFM	in. H <sub>2</sub> O		14.2	
180 CFM	in. H <sub>2</sub> O			18.5
200 CFM	in. H <sub>2</sub> O			16.1
220 CFM	in. H <sub>2</sub> O			13.1
240 CFM	in. H <sub>2</sub> O			10.0
260 CFM	in. H <sub>2</sub> O			7.4
280 CFM	in. H <sub>2</sub> O			4.3
300 CFM	in. H <sub>2</sub> O			1.0

\*These part numbers are available through AMETEK Rotron distributors.

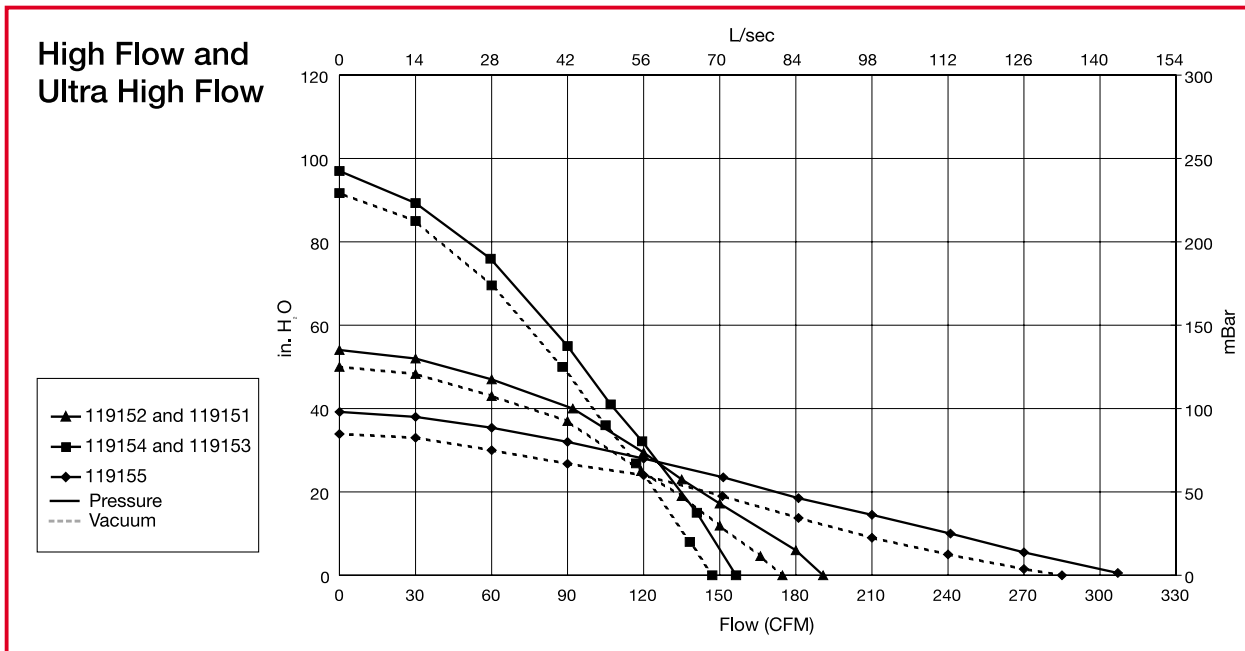
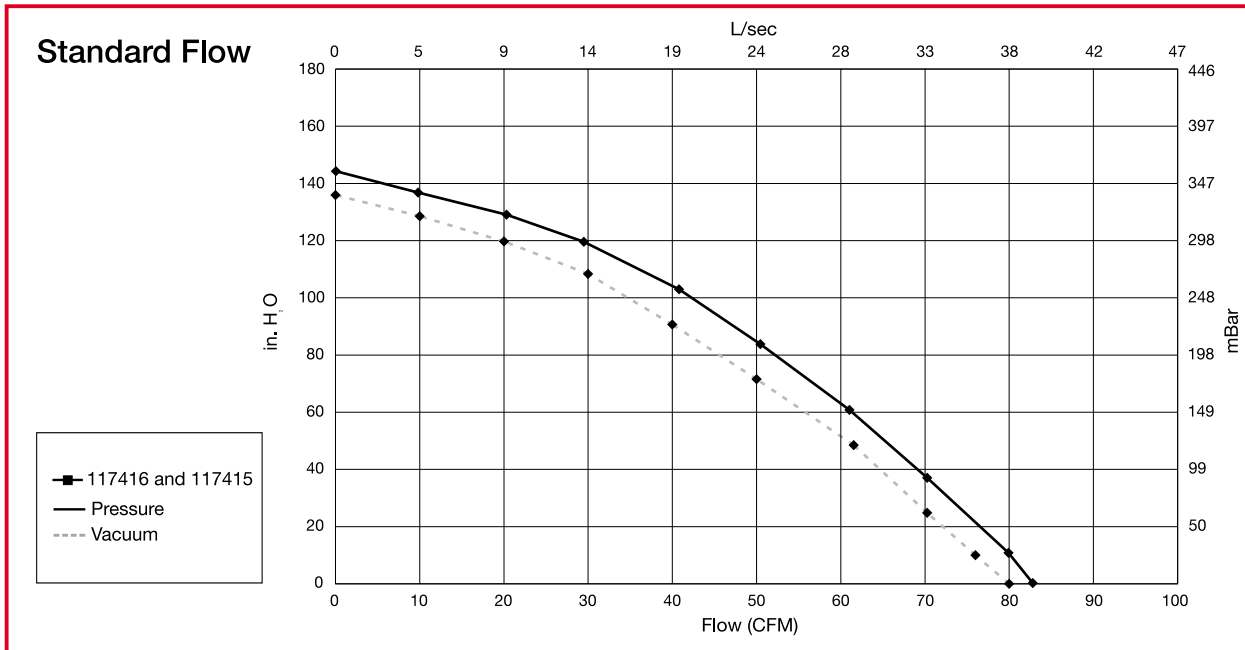
#### NOTES:

- **Nominal input voltage:** 240 Volts AC RMS +/- 10%, 50/60Hz
- **Input current:** 5 amps AC RMS maximum
- **Temperature:** Working Air: 0°C to 50°C, Ambient Air: 0°C to 50°C, Storage Air: -40°C to 85°C
- **Dielectric Testing:** 1500 volts AC RMS 60Hz applied for one second between input pins and ground, 3mA leakage max.
- **Maximum Approximate Weight:** 6 lbs.

**5.7" (145mm) DC Bypass Blower**

**1200 WATT, 240 VOLT**

HIGH-VOLTAGE BLOWERS



- **Speed Control:** E (Electrical): Pulse Width Modulation or Analog input voltage (User Supplied), 0 to 10 Volts DC Nominal, 10mA Maximum, 3 to 15 volts DC Maximum. Access to sensitivity adjustment for 0-10 VDC speed control. (Ref. pin connection)  
 M (Mechanical): A potentiometer is available for speed control of the blower. The potentiometer can be preset for a specific speed. Access to speed adjustment.
- **Regulatory Agency Certification:** T.U.V. Rheinland Bauart Certification\* is qualified per EN60950 under License No. 9571008; Underwriters Laboratories, Inc. is qualified per UL507 under File E 94403; Canadian Standards Association is qualified per C22.2#113 under File LR 43448.
- **Miscellaneous:** Intake & exhaust tubes, all cooling ducts and vents must not be obstructed. Intake and exhaust must be free of grease, oil, or foreign particles. Amp housing #350809-1 (to be supplied by customer), mates with post header assembly.

IEC 801 testing has been completed, and specific data can be provided upon request.

Mating harness available upon request. Refer to (page 84) for specific part numbers.

This document is for informational purposes only and should not be considered as a binding description of the products or their performance in all applications. The performance data on this page depicts typical performance under controlled laboratory conditions, data is corrected to 0.075 lb./ft<sup>3</sup> air density (29.92" Hg @ 70° F). Actual performance will vary depending on the operating environment and application. AMETEK Rotron products are not designed for use with volatile, hazardous or corrosive gases. Blower housings are not sealed, slight air/gas leakage will occur. AMETEK Rotron products are not designed for and should not be used in medical life support applications. AMETEK reserves the right to revise its products without notification. The above characteristics represent standard products. For product designed to meet specific applications contact AMETEK Rotron Marketing and Sales.