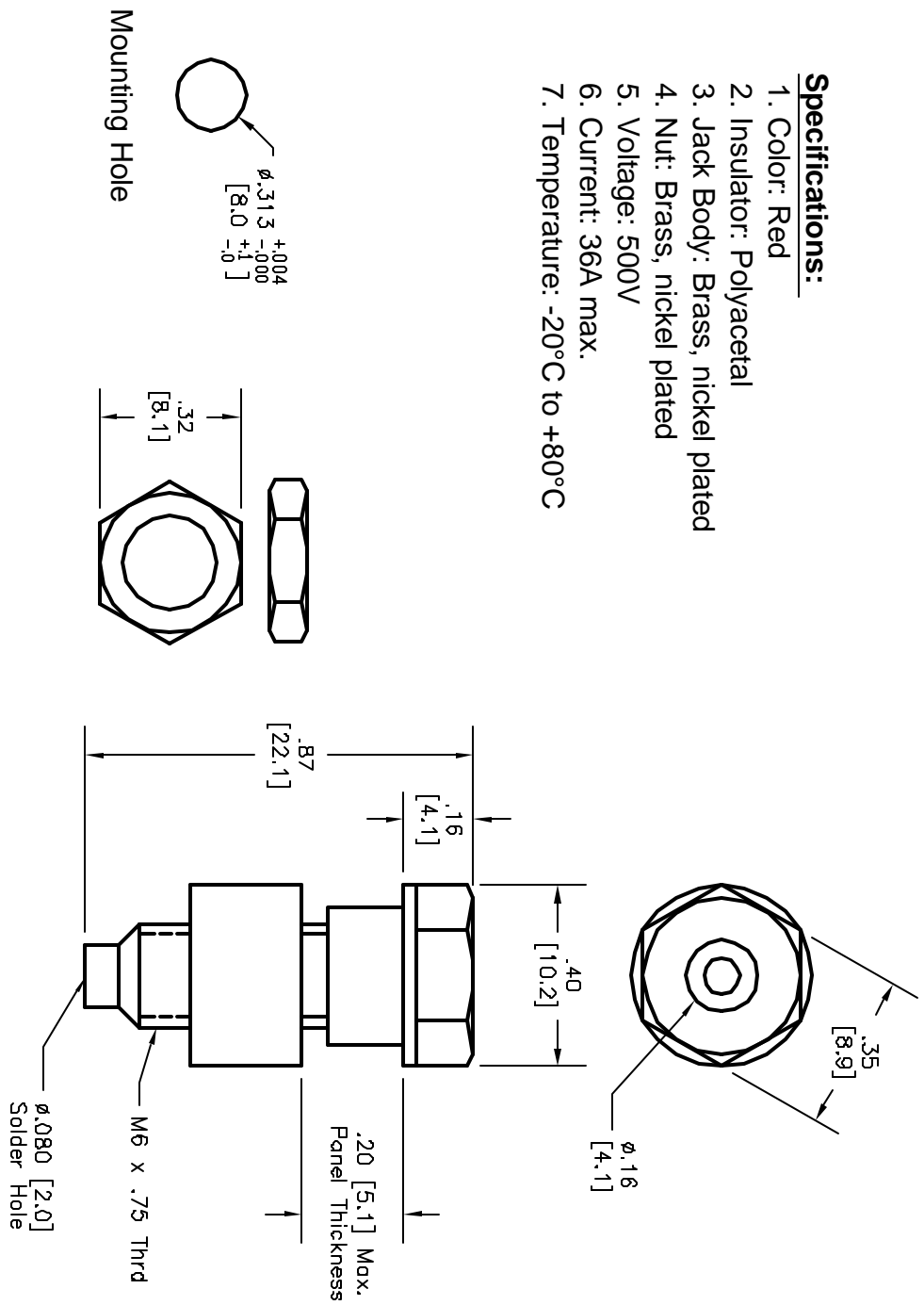


ALL RIGHTS RESERVED. NO PORTION OF THIS PUBLICATION, WHETHER IN WHOLE OR IN PART CAN BE REPRODUCED WITHOUT THE EXPRESS WRITTEN CONSENT OF SPC TECHNOLOGY.

REVISIONS		DOC. NO.	SPC-F005	Effective:	12/21/98	DCP No:	880
DCP #	REV	DESCRIPTION	DRAWN	DATE	CHECKD	DATE	APPRVD
170	A	RELEASED	HYO	1/21/00	JC	2/16/00	DJC

**Specifications:**

1. Color: Red
2. Insulator: Polyacetal
3. Jack Body: Brass, nickel plated
4. Nut: Brass, nickel plated
5. Voltage: 500V
6. Current: 36A max.
7. Temperature: -20°C to +80°C



**DISCLAIMER**  
 ALL STATEMENTS AND TECHNICAL INFORMATION CONTAINED HEREIN ARE BASED UPON INFORMATION AND/OR TESTS WE BELIEVE TO BE ACCURATE AND RELIABLE. SINCE CONDITIONS OF USE ARE BEYOND OUR CONTROL, THE USER SHALL DETERMINE THE SUITABILITY OF THE PRODUCT FOR THE INTENDED USE AND ASSUME ALL RISK AND LIABILITY WHATSOEVER IN CONNECTION THEREWITH.

**SPC TECHNOLOGY**  
 DRAWING TITLE: **ø4mm Insulated Jack, Solder**

Tolerances Unless Otherwise Specified	FRACIONS ± 1/32	DECIMALS .XX ± .01	XXX ± .005
DRAWN BY:	HISHAM ODISH	DATE:	1/21/00
CHECKED BY:	JOHN COLE	DATE:	2/18/00
APPROVED BY:	DANIEL CAREY	DATE:	2/24/00
SIZE	DWG. NO.	ELECTRONIC FILE	REV
A	2298	92N4660.dwg	A
SCALE:	NTS	U.O.M.: INCHES [mm]	SHEET: 1 OF 1