

926218

926 127 - 926 231
not inclusive



COOLING FAN
S U N O N



PRODUCT

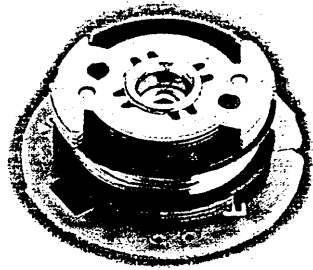
GUIDE

SPECIALIST IN FAN
DESIGN & PRODUCTION



PATENTED MOTOR DESIGN

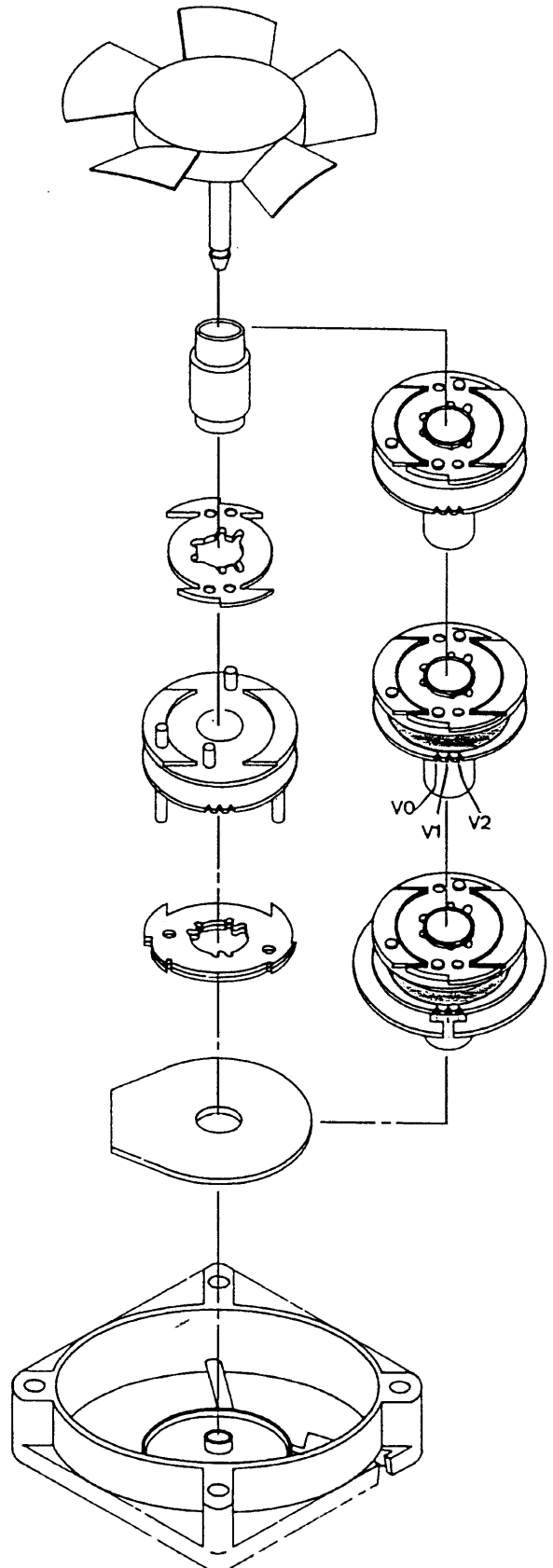
BRUSHLESS DC FANS



THE ADVANTAGES OF SUNON PATENTED MOTOR DESIGN

1. Allows creation of the smallest and thinnest Brushless DC Fan Motor in the world.
2. The bobbin design protects the winding coils from abrasion and damage during assembly.
3. Ease of manufacture and assembly providing low cost and high reliability.
4. Superior dielectric strength due to the unique wound bobbin construction of the Sunon design.
5. Increased performance to size ratio due to smaller hub design which allows for larger fan blades.
6. Increased torque through more poles to reduce the power consumption of fan motor. Example: Dual poles can be augmented into four, six and eight poles respectively.
7. The notches in the bobbin separate the 3 coil wires which adjoin v0, v1 and v2 to the circuit board provided the protection from a short circuit condition.
8. Acquired patents in 23 countries in this revolutionary design motor.

U.S. PATENT NO:5,093,599 · 4,987,331

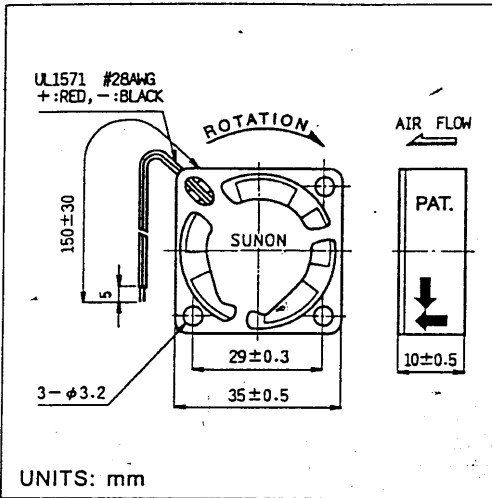


PRODUCT GUIDE



BRUSHLESS DC FANS

DIMENSIONS

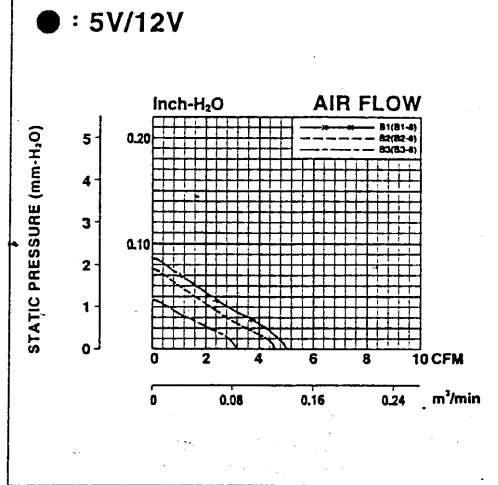


35 x 35 x 10mm

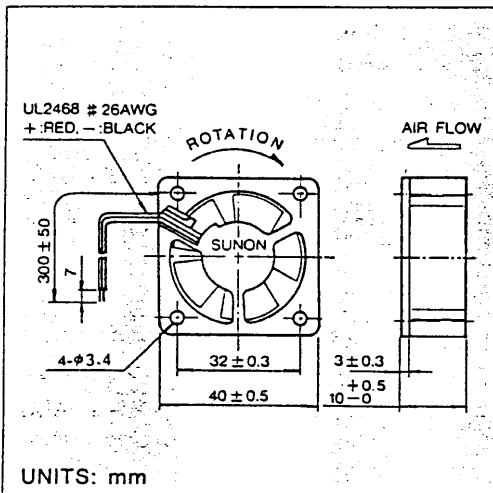
- 3.2 to 5.2 CFM
- 5 and 12 VDC (nominal)
- Patented Single-coil Brushless 8 Poles DC Motor Design
- Locked Rotor Protection
- Low Power Consumption
- Lubricated Sintered Sleeve Bearing System or Precision Ball Bearing System
- 28 AWG UL Rating Leadwire, "+" Red and "-" Black
- UL, CUR & TUV Approval

PERFORMANCE

899-896



DIMENSIONS

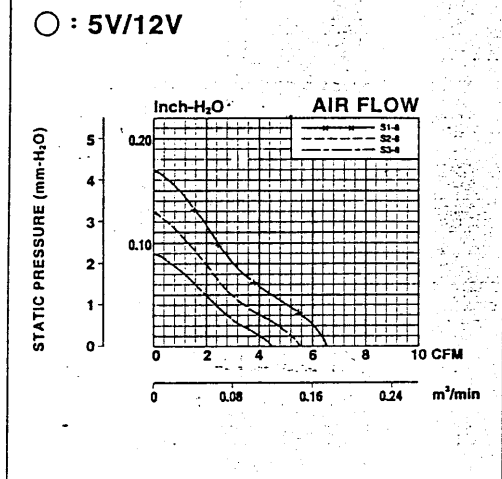


40 x 40 x 10mm

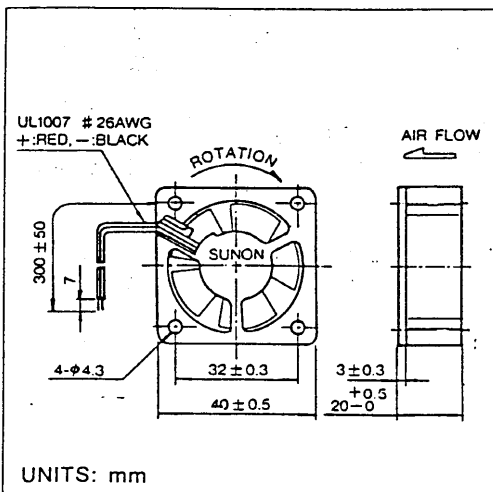
- 4.5 to 6.9 CFM
- 5 and 12 VDC (nominal)
- Patented Single-coil Brushless DC Motor Design
- Available with 4 Poles or 8 Poles Motor
- Locked Rotor Protection
- Low Power Consumption
- Polarity Protected
- Lubricated Sintered Sleeve Bearing System or Precision Ball Bearing System
- 26 AWG UL Rating Leadwire, "+" Red and "-" Black
- UL, CUR & TUV Approval

PERFORMANCE

899-902



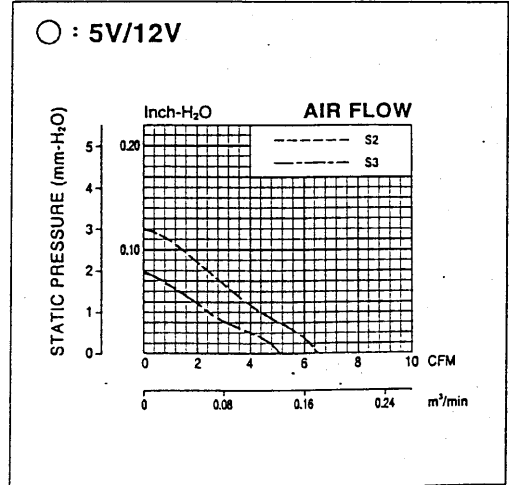
DIMENSIONS



40 x 40 x 20mm

- 5.2 to 7.0 CFM
- 5 and 12 VDC (nominal)
- Patented Single-coil Brushless 4 Poles DC Motor Design
- Locked Rotor Protection
- Low Power Consumption
- Polarity Protected
- Lubricated Sintered Sleeve Bearing System or Precision Ball Bearing System
- 26 AWG UL Rating Leadwire, "+" Red and "-" Black
- UL, CUR & TUV Approval

PERFORMANCE



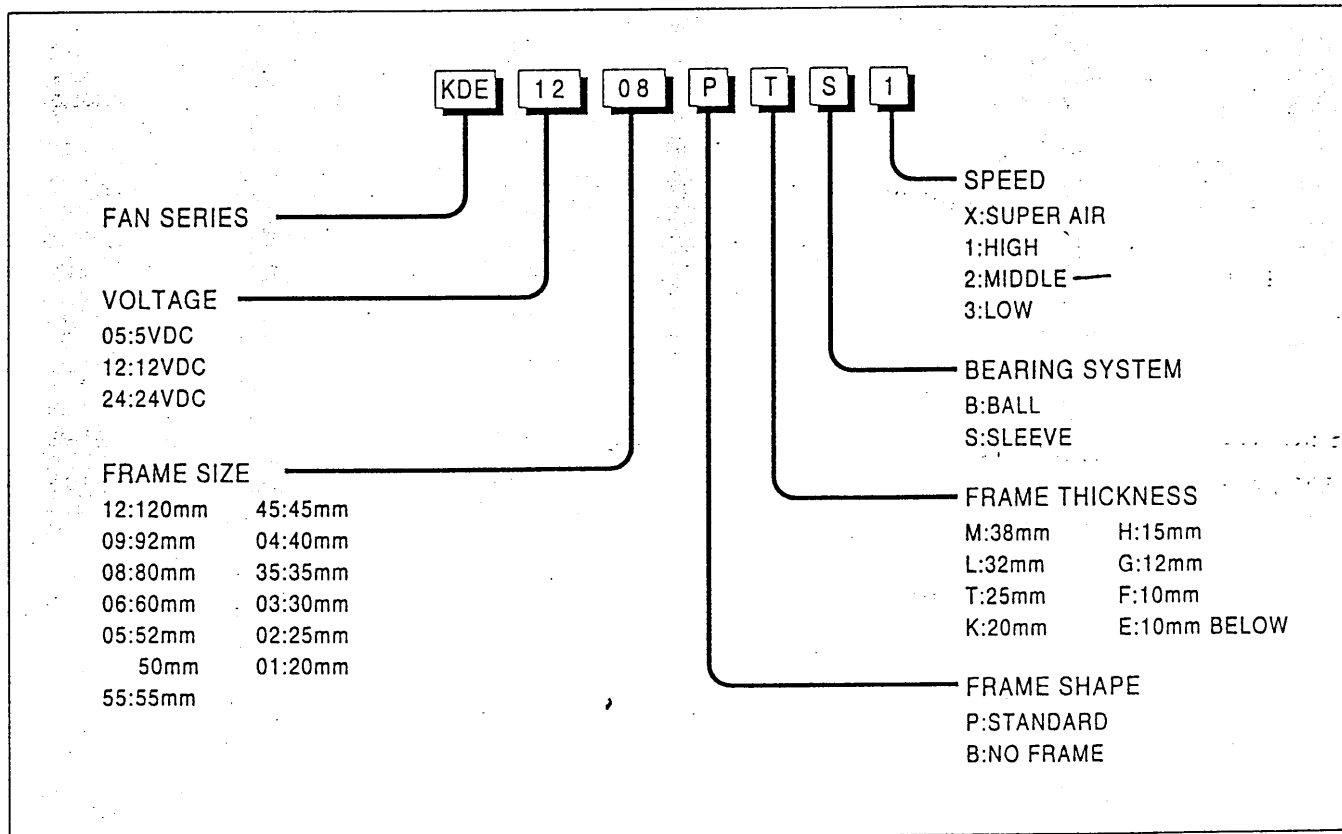
GENERAL DATA



BRUSHLE DC FANS

MOTOR:	Patented Brushless DC motor design
FRAME:	Injection molded non-flammable black thermoplastic UL 94V-O Rating
IMPELLER:	Injection molded non-flammable black thermoplastic UL 94V-O Rating
BEARING:	Precision, life-lubricated ball bearing system Precision, oil-impregnated sintered sleeve bearing system
INSULATION:	Class E integral ground system rated @ 100°C
INSULATION RESISTANCE:	More than 500M ohm between internal stator and lead wire (+) measured by DC 500V
DIELECTRIC STRENGTH:	600VAC for one minute
SAFETY PROTECTION:	Electronic locked rotor protected
OPERATING TEMPERATURE:	-10 to +70°C
STORAGE TEMPERATURE:	-40 to +80°C
OPERATING VOLTAGE:	Rated Voltage ±15%
PROFESSIONAL DESIGN:	Should you have any other special requirements, we are willing to design accordingly.

MODEL NUMBERING SYSTEM



NOMENCLATURE

Basic Model Number for Brushless DC fan is with four poles motor.

Suffixes have the following significance:

- 6/-8: Motor with six poles / Motor with eight poles
- 6A: Motor (six poles) protection by IC
- 6AS: Motor (six poles) protection by IC combined with a temperature sensor
- 6AM: Motor (six poles) protection by IC combined with an alarm
- 6AD: Motor combination of 6AS and 6AM
- 6AR: Motor (six poles) protection by IC combined with 2-speed
- 6B: Motor (six poles) without automatic restart function

Not all suffixes are available on all models.



SPECIFICATION CHART

BRUSHLESS DC FANS

SPECIFICATIONS

Dimensions	Model	Voltage	Bearing	Current	Input	Speed	Air Flow	Static Pressure	Noise
mm		(VDC)	○ Sleeve ● Ball	(AMP)	(WATTS)	(RPM)	(CFM)	(Inch-H ₂ O)	(dBA)
20x20x10	KDE0501PFB2-8	5	●	0.10	0.5	14000	0.65	0.15	25.5
	KDE0501PFB3-8	5	●	0.06	0.3	8500	0.43	0.065	21
25x25x10 899-872	KDE0502PFB1-8	5	●	0.17	0.9	13000	2.4	0.20	25.5
	KDE0502PFB2-8	5	●	0.12	0.6	10000	2.0	0.16	24
	KDE0502PFB3-8	5	●	0.06	0.3	7000	1.3	0.09	23
	KDE1202PFB1	12	●	0.14	1.7	13000	2.4	0.20	25.5
	KDE1202PFB2	12	●	0.10	1.2	10000	2.0	0.16	24
	KDE1202PFB3	12	●	0.08	0.9	7000	1.3	0.09	23
30x30x10 899-884	KDE0503PFB1-8	5	●	0.18	0.9	9500	3.5	0.14	22.5
	KDE0503PFB2-8	5	●	0.12	0.6	8000	3.0	0.11	20.5
	KDE0503PFB3-8	5	●	0.06	0.3	5500	2.3	0.07	18.5
	KDE1203PFB1	12	●	0.13	1.6	9500	3.5	0.14	22.5
	KDE1203PFB2	12	●	0.12	1.5	8000	3.0	0.11	20.5
	KDE1203PFB3	12	●	0.08	0.9	5500	2.3	0.07	18.5
35x35x10 899-896	KDE0535PFB1-8	5	●	0.19	1.0	7000	5.2	0.09	22.5
	KDE0535PFB2-8	5	●	0.13	0.7	6000	4.5	0.08	21
	KDE0535PFB3-8	5	●	0.07	0.3	4500	3.2	0.05	18
	KDE1235PFB1	12	●	0.13	1.7	7000	5.2	0.09	22.5
	KDE1235PFB2	12	●	0.12	1.5	6000	4.5	0.08	21
	KDE1235PFB3	12	●	0.08	0.9	4500	3.2	0.05	18
40x40x10 899-902	KDE0504PFS1-8	5	○	0.15	0.7	7000	6.6	0.17	25
	KDE0504PFS2-8	5	○	0.11	0.6	6000	5.6	0.13	24
	KDE0504PFS3-8	5	○	0.08	0.4	4500	4.5	0.09	22.8
	KDE0504PFB1-8	5	●	0.15	0.7	7300	6.9	0.19	25.5
	KDE0504PFB2-8	5	●	0.11	0.6	6500	6.2	0.14	24.5
	KDE0504PFB3-8	5	●	0.08	0.4	5300	4.8	0.10	23.5
	KDE1204PFS1-8	12	○	0.06	0.7	7000	6.6	0.17	25
	KDE1204PFS2-8	12	○	0.05	0.6	6000	5.6	0.13	24
	KDE1204PFS3-8	12	○	0.04	0.5	4500	4.5	0.09	22.8
	KDE1204PFB1-8	12	●	0.06	0.7	7300	6.9	0.19	25.5
	KDE1204PFB2-8	12	●	0.05	0.6	6500	6.2	0.14	24.5
	KDE1204PFB3-8	12	●	0.04	0.5	5300	4.8	0.10	23.5
40x40x20 926-127 550-966 926-139(24V)	KDE0504PKS2	5	○	0.21	1.0	6000	6.5	0.12	25.5
	KDE0504PKS3	5	○	0.14	0.7	4500	5.2	0.08	22.8
	KDE1204PKS2	12	○	0.07	0.9	6000	6.5	0.12	25.5
	KDE1204PKS3	12	○	0.05	0.6	4500	5.2	0.08	22.8
	KDE0504PKB2	5	●	0.21	1.0	6500	7.0	0.16	26.5
	KDE0504PKB3	5	●	0.14	0.7	5300	6.2	0.12	24.0
	KDE1204PKB2	12	●	0.07	0.9	6400	6.8	0.15	26.5
KDE1204PKB3	12	●	0.05	0.6	5000	6.0	0.11	23.5	
45x45x10	KDE0545PFS1-8	5	○	0.16	0.8	6000	8	0.14	28.5
	KDE0545PFS2-8	5	○	0.12	0.6	5200	7	0.11	27
	KDE0545PFS3-8	5	○	0.09	0.4	4000	5.5	0.07	23
	KDE0545PFB1-8	5	●	0.16	0.8	6300	9	0.155	29
	KDE0545PFB2-8	5	●	0.12	0.6	5500	7.5	0.12	28
	KDE0545PFB3-8	5	●	0.09	0.4	4500	6.2	0.095	26
	KDE1245PFS1-8	12	○	0.07	0.8	6000	8	0.14	28.5
	KDE1245PFS2-8	12	○	0.06	0.7	5200	7	0.11	27
	KDE1245PFS3-8	12	○	0.04	0.5	4000	5.5	0.07	23
	KDE1245PFB1-8	12	●	0.07	0.8	6300	9	0.155	29
	KDE1245PFB2-8	12	●	0.06	0.7	5500	7.5	0.12	28
	KDE1245PFB3-8	12	●	0.04	0.5	4500	6.2	0.095	26
50x50x10	KDE0505PFS1-8	5	○	0.17	0.9	5100	9.6	0.105	30.5
	KDE0505PFS2-8	5	○	0.13	0.6	4300	8	0.09	29
	KDE0505PFS3-8	5	○	0.09	0.4	3500	7	0.065	21
	KDE0505PFB1-8	5	●	0.17	0.9	5400	10.2	0.11	31.5
	KDE0505PFB2-8	5	●	0.13	0.6	4700	9.2	0.10	30
	KDE0505PFB3-8	5	●	0.09	0.4	3800	7.2	0.07	22
	KDE1205PFS1-8	12	○	0.07	0.9	5100	9.6	0.105	30.5
	KDE1205PFS2-8	12	○	0.06	0.7	4300	8	0.09	29
	KDE1205PFS3-8	12	○	0.04	0.5	3500	7	0.065	21
	KDE1205PFB1-8	12	●	0.07	0.9	5400	10.2	0.11	31.5
	KDE1205PFB2-8	12	●	0.06	0.7	4700	9.2	0.10	30
	KDE1205PFB3-8	12	●	0.04	0.5	3800	7.2	0.07	22

Specifications subject to change without notice

SPECIFICATION CHART



BRUSHLESS DC FANS

SPECIFICATIONS

Dimensions mm	Model	Voltage (VDC)	Bearing	Current (AMP)	Input (WATTS)	Speed (RPM)	Air Flow (CFM)	Static Pressure (Inch-H ₂ O)	Noise (dBA)	
			○ Sleeve ● Ball							
52x52x15	KDE0505PHS2	5	○	0.38	1.9	5000	12.4	0.14	27	
	KDE0505PHS3	5	○	0.24	1.2	4000	7.6	0.12	24	
	KDE1205PHS2	12	○	0.14	1.7	5000	12.4	0.14	27	
	KDE1205PHS3	12	○	0.08	0.9	4000	7.6	0.12	24	
	KDE0505PHB2	5	●	0.38	1.9	5300	12.7	0.16	27.8	
	KDE0505PHB3	5	●	0.24	1.2	4300	8.5	0.14	25.4	
	KDE1205PHB2	12	●	0.14	1.7	5300	12.7	0.16	27.8	
60x60x15	KDE1205PHB3	12	●	0.08	0.9	4300	8.5	0.14	25.4	
	KDE0506PHS2	5	○	0.39	1.9	4000	17.8	0.135	31	
	KDE0506PHS3	5	○	0.24	1.2	3300	14.8	0.11	26	
	KDE1206PHS2	12	○	0.16	1.9	4000	17.8	0.135	31	
	KDE1206PHS3	12	○	0.09	1.2	3300	14.8	0.11	26	
60x60x25	KDE1206PHB2	12	●	0.16	1.9	4200	18.5	0.15	31.5	
	KDE1206PHB3	12	●	0.09	1.2	3500	15.2	0.13	26.5	
	KDE1206PTS1	12	○	0.19	2.3	4500	21.7	0.20	34	
	KDE1206PTS2	12	○	0.13	1.6	3800	17.6	0.15	31	
	KDE1206PTS3	12	○	0.09	1.1	3300	15.9	0.10	26.7	
	KDE2406PTS1	24	○	0.11	2.6	4500	21.7	0.20	34	
	KDE2406PTS2	24	○	0.08	1.9	3800	17.6	0.15	31	
	KDE2406PTS3	24	○	0.06	1.4	3300	15.9	0.10	26.7	
	KDE1206PTB1	12	●	0.19	2.2	5100	22.1	0.22	34.3	
	KDE1206PTB2	12	●	0.12	1.4	4300	18	0.16	31.3	
80x80x25	KDE1206PTB3	12	●	0.09	1.1	3600	16.2	0.11	27	
	KDE1208PTS1-6A/B	12	○	0.22	2.6	3000	41.7	0.18	34	
	KDE1208PTS2-6A/B	12	○	0.16	2.0	2650	34.4	0.16	30	
	KDE1208PTS3-6	12	○	0.12	1.4	2200	29.4	0.11	24.5	
	KDE2408PTS1-6A/B	24	○	0.12	2.9	3000	41.7	0.18	34	
	KDE2408PTS2-6A/B	24	○	0.10	2.4	2650	34.4	0.16	30	
	KDE2408PTS3-6	24	○	0.07	1.7	2200	29.4	0.11	24.5	
	KDE1208PTB1-6A/B	12	●	0.22	2.6	3200	42.5	0.23	36.5	
	KDE1208PTB2-6A/B	12	●	0.16	2.0	2800	35	0.20	32.5	
	KDE1208PTB3-6	12	●	0.12	1.4	2500	30	0.14	28.5	
92x92x25	KDE1209PTS1-6A/B	12	○	0.23	2.8	2800	50	0.17	35	
	KDE1209PTS2-6A/B	12	○	0.18	2.1	2500	44	0.15	33	
	KDE1209PTS3-6	12	○	0.13	1.6	2100	39	0.11	27	
	KDE2409PTS1-6A/B	24	○	0.12	2.9	2800	50	0.17	35	
	KDE2409PTS2-6A/B	24	○	0.09	2.2	2500	44	0.15	33	
	KDE2409PTS3-6	24	○	0.07	1.7	2100	39	0.11	27	
	KDE1209PTB1-6A/B	12	●	0.23	2.8	3000	51	0.20	37	
	KDE1209PTB2-6A/B	12	●	0.18	2.1	2600	45	0.18	34	
	KDE1209PTB3-6	12	●	0.13	1.6	2300	40	0.13	28	
	120x120x25	KDE1212PTS1-6A	12	○	0.45	5.4	3000	88	0.27	44
KDE1212PTS2-6A		12	○	0.30	3.6	2700	78	0.21	40	
KDE1212PTS3-6A		12	○	0.20	2.4	2300	67	0.16	35	
KDE2412PTS1-6A		24	○	0.25	6.0	3000	88	0.27	44	
KDE2412PTS2-6A		24	○	0.20	4.8	2700	78	0.21	40	
KDE2412PTS3-6A		24	○	0.13	3.1	2300	67	0.16	35	
KDE1212PTB1-6A		12	●	0.45	5.4	3100	90	0.28	44.5	
120x120x25	KDE1212PTB2-6A	12	●	0.30	3.6	2800	80	0.22	41	
	KDE1212PTB3-6A	12	●	0.20	2.4	2400	69	0.17	35.5	
	KDE2412PTB1-6A	24	●	0.25	6.0	3100	90	0.28	44.5	
	KDE2412PTB2-6A	24	●	0.20	4.8	2800	80	0.22	41	
	KDE2412PTB3-6A	24	●	0.13	3.1	2400	69	0.17	35.5	
	120x120x38	KDE1212PMSX-6A	12	○	0.63	7.6	3100	119	0.32	45
		KDE1212PMS1-6A	12	○	0.57	6.8	3000	107	0.30	41
KDE1212PMS2-6A		12	○	0.43	5.1	2700	97	0.24	36	
KDE1212PMS3-6A		12	○	0.27	3.2	2300	83	0.18	34	
KDE2412PMSX-6A		24	○	0.33	7.9	3100	119	0.32	45	
KDE2412PMS1-6A		24	○	0.31	7.4	3000	107	0.30	41	
KDE2412PMS2-6A		24	○	0.23	5.5	2700	97	0.24	36	
KDE2412PMS3-6A		24	○	0.17	4.0	2300	83	0.18	34	
120x120x38		KDE1212PMBX-6A	12	●	0.63	7.6	3150	120	0.34	46.5
		KDE1212PMB1-6A	12	●	0.57	6.8	3100	108	0.31	42
	KDE1212PMB2-6A	12	●	0.43	5.1	2800	98	0.25	36.5	
	KDE1212PMB3-6A	12	●	0.27	3.2	2400	84	0.19	35	
	KDE2412PMBX-6A	24	●	0.33	7.9	3150	120	0.34	46.5	
	KDE2412PMB1-6A	24	●	0.31	7.4	3100	108	0.31	42	
	KDE2412PMB2-6A	24	●	0.23	5.5	2800	98	0.25	36.5	
120x120x38	KDE2412PMB3-6A	24	●	0.17	4.0	2400	84	0.19	35	

Specifications subject to change without notice

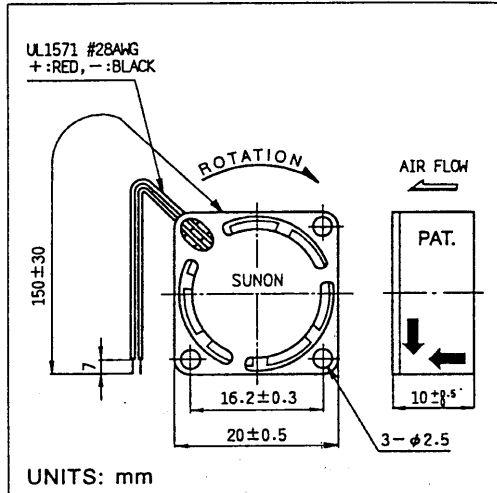


899-872/884/896/902

PRODUCT GUIDE

BRUSHLESS DC FANS

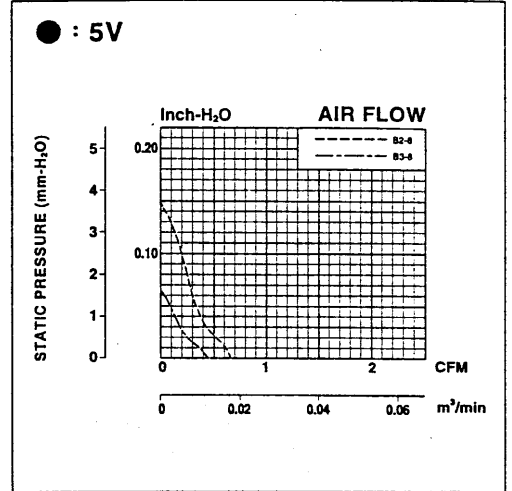
DIMENSIONS



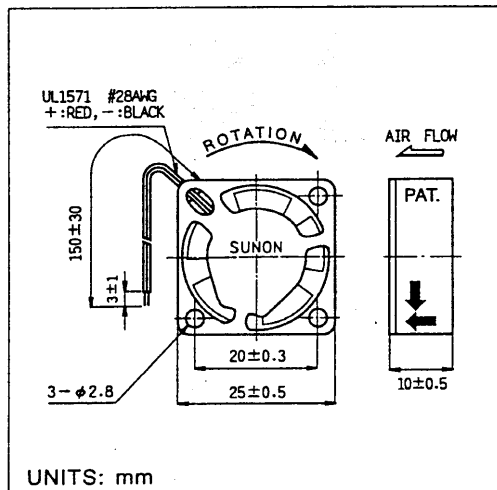
20 x 20 x 10mm

- 0.43 to 0.65 CFM
- 5 VDC (nominal)
- Patented Single-coil Brushless 8 Poles DC Motor Design
- Locked Rotor Protection
- Low Power Consumption
- Lubricated Sintered Sleeve Bearing System or Precision Ball Bearing System
- 28 AWG UL Rating Leadwire, *+* Red and *- * Black
- UL & CUR Approval

PERFORMANCE



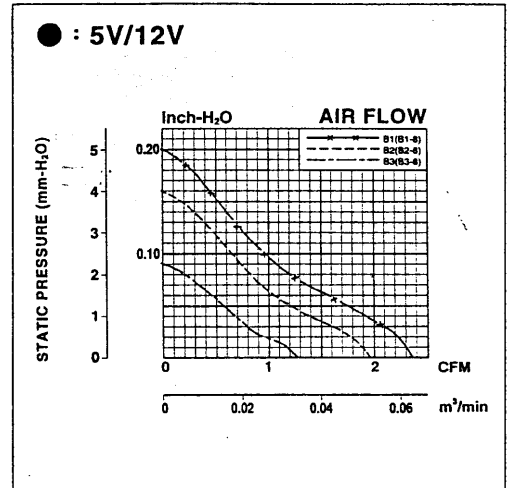
DIMENSIONS



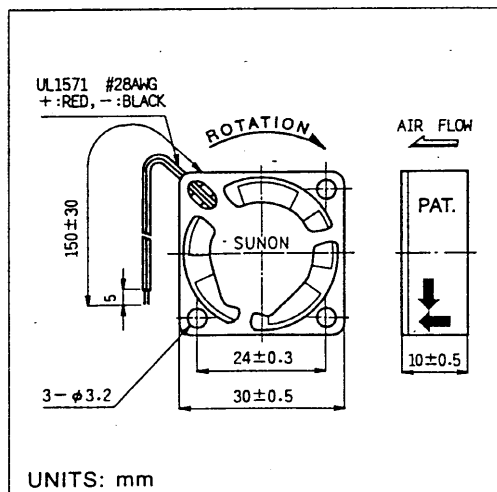
25 x 25 x 10mm

- 1.3 to 2.4 CFM
- 5 and 12 VDC (nominal)
- Patented Single-coil Brushless 8 Poles DC Motor Design
- Locked Rotor Protection
- Low Power Consumption
- Lubricated Sintered Sleeve Bearing System or Precision Ball Bearing System
- 28 AWG UL Rating Leadwire, *+* Red and *- * Black
- UL, CUR & TUV Approval

PERFORMANCE



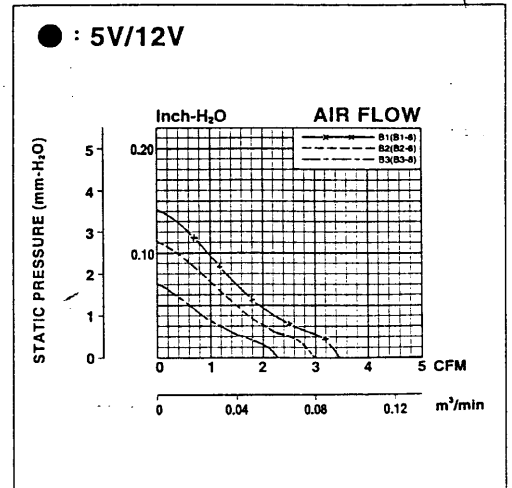
DIMENSIONS



30 x 30 x 10mm

- 2.3 to 3.5 CFM
- 5 and 12 VDC (nominal)
- Patented Single-coil Brushless 8 Poles DC Motor Design
- Locked Rotor Protection
- Low Power Consumption
- Lubricated Sintered Sleeve Bearing System or Precision Ball Bearing System
- 28 AWG UL Rating Leadwire, *+* Red and *- * Black
- UL, CUR & TUV Approval

PERFORMANCE

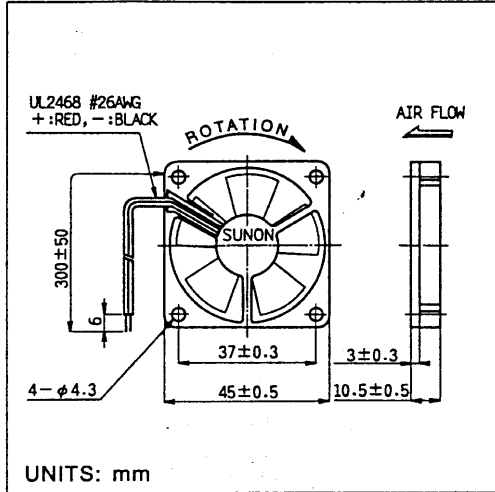




PRODUCT GUIDE

BRUSHLESS DC FANS

DIMENSIONS

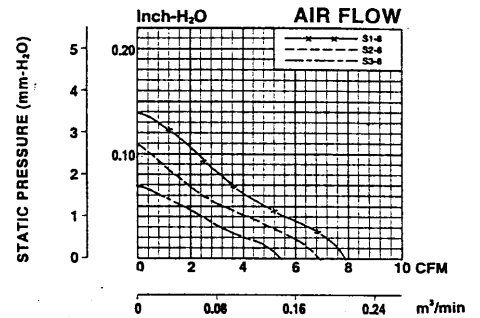


45 x 45 x 10mm

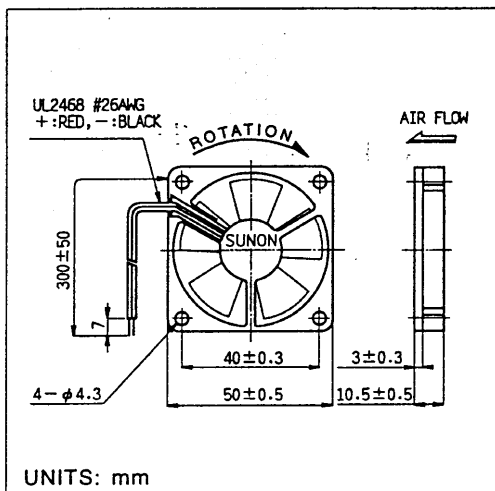
- 5.5 to 9.0 CFM
- 5 and 12 VDC (nominal)
- Patented Single-coil Brushless 8 Poles DC Motor Design
- Locked Rotor Protection
- Polarity Protected
- Low Power Consumption
- Lubricated Sintered Sleeve Bearing System or Precision Ball Bearing System
- 26 AWG UL Rating Leadwire, '+' Red and '-' Black
- UL, CUR & TUV Approval

PERFORMANCE

○ : 5V/12V



DIMENSIONS

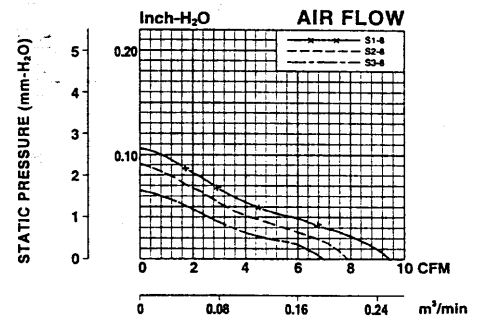


50 x 50 x 10mm

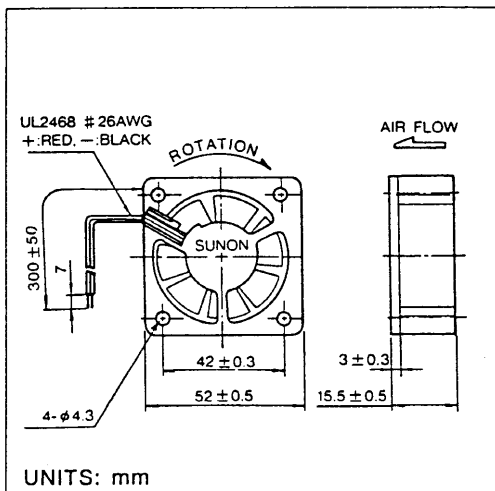
- 7.0 to 10.2 CFM
- 5 and 12 VDC (nominal)
- Patented Single-coil Brushless 8 Poles DC Motor Design
- Locked Rotor Protection
- Low Power Consumption
- Polarity Protected
- Lubricated Sintered Sleeve Bearing System or Precision Ball Bearing System
- 26 AWG UL Rating Leadwire, '+' Red and '-' Black
- UL, CUR & TUV Approval

PERFORMANCE

○ : 5V/12V



DIMENSIONS

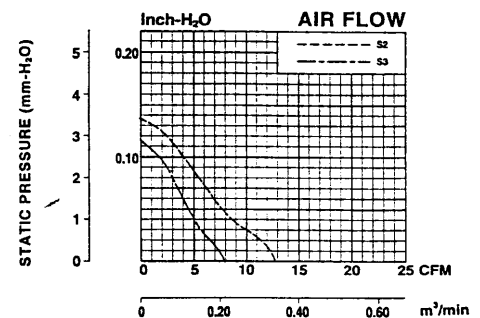


52 x 52 x 15mm

- 7.6 to 12.7 CFM
- 5 and 12 VDC (nominal)
- Patented Single-coil Brushless 4 Poles DC Motor Design
- Locked Rotor Protection
- Lubricated Sintered Sleeve Bearing System or Precision Ball Bearing System
- 26 AWG UL Rating Leadwire, '+' Red and '-' Black
- UL, CUR & TUV Approval

PERFORMANCE

○ : 5V/12V

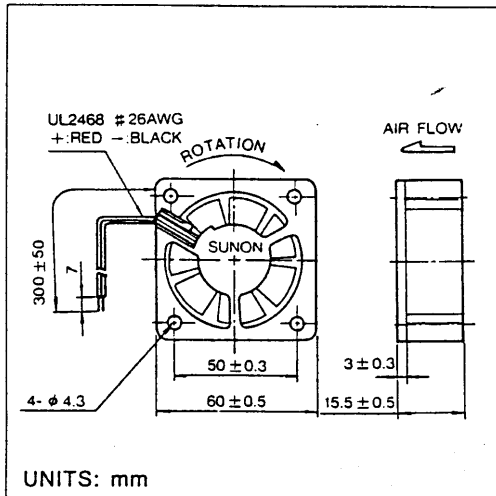


PRODUCT GUIDE



BRUSHLESS DC FANS

DIMENSIONS

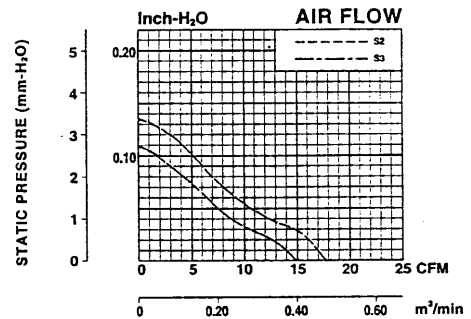


60 x 60 x 15mm

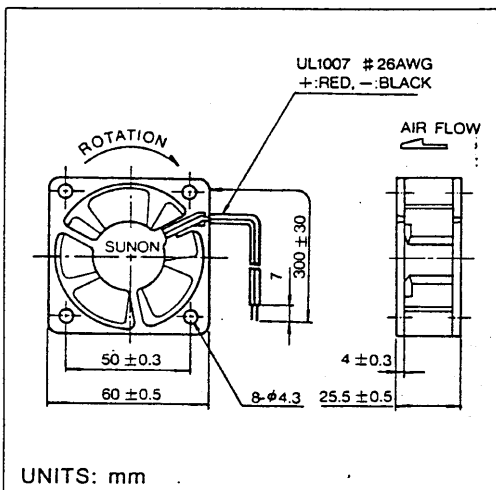
- 14.8 to 18.5 CFM
- 5 and 12 VDC (nominal)
- Patented Single-coil Brushless 4 Poles DC Motor Design
- Locked Rotor Protection
- Polarity Protected
- Lubricated Sintered Sleeve Bearing System or Precision Ball Bearing System
- 26 AWG UL Rating Leadwire, "+" Red and "-" Black
- UL, CSA & TUV Approval

PERFORMANCE

○ : 5V/12V



DIMENSIONS

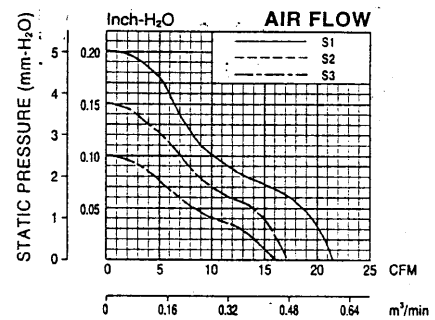


60 x 60 x 25mm

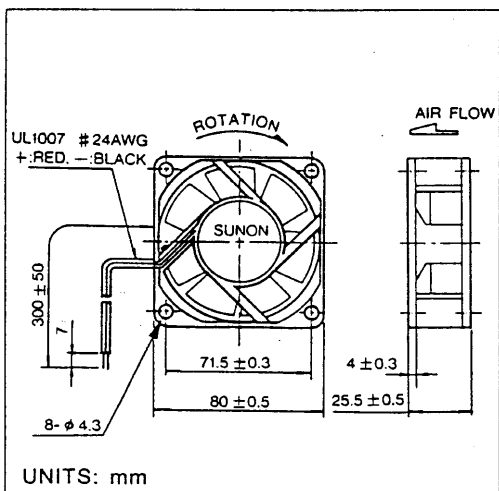
- 15.9 to 22.1 CFM
- 12 and 24 VDC (nominal)
- Patented Single-coil Brushless 4 Poles DC Motor Design
- Locked Rotor Protection
- Polarity Protected
- Lubricated Sintered Sleeve Bearing System or Precision Ball Bearing System
- 26 AWG UL Rating Leadwire, "+" Red and "-" Black
- UL, CSA & TUV Approval

PERFORMANCE

○ : 12V/24V



DIMENSIONS

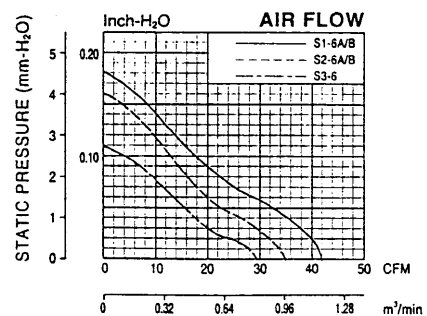


80 x 80 x 25mm

- 29.4 to 42.5 CFM
- 12 and 24 VDC (nominal)
- Patented Single-coil Brushless DC Motor Design
- Available with 4 Poles or 6 Poles Motor
- Locked Rotor Protection
- Polarity Protected
- Lubricated Sintered Sleeve Bearing System or Precision Ball Bearing System
- 24 AWG UL Rating Leadwire, "+" Red and "-" Black
- UL, CUR & TUV Approval

PERFORMANCE

○ : 12V/24V

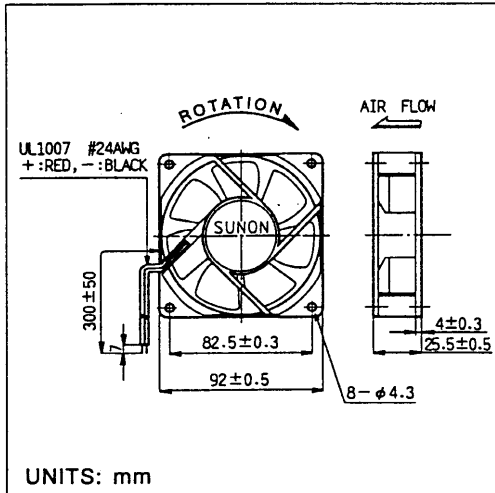




PRODUCT GUIDE

BRUSHLESS DC FANS

DIMENSIONS

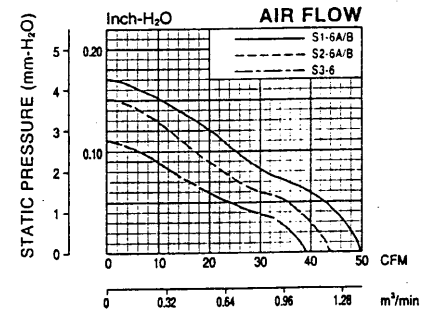


92 x 92 x 25mm

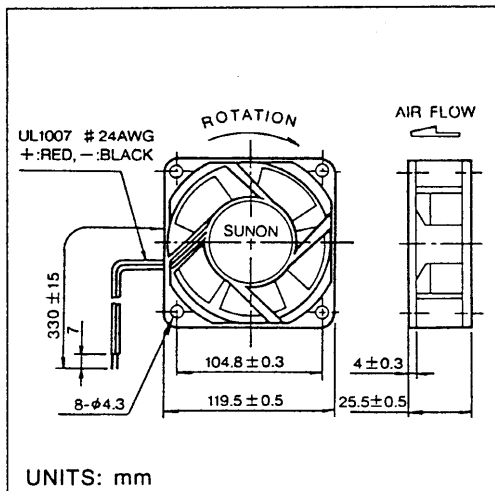
- 39 to 51 CFM
- 12 and 24 VDC (nominal)
- Patented Single-coil Brushless DC Motor Design
- Locked Rotor Protection
- Available with 4 Poles Motor or 6 Poles Motor
- Locked Rotor Protection
- Polarity Protected
- Lubricated Sintered Sleeve Bearing System or Precision Ball Bearing System
- 24 AWG UL Rating Leadwire, "+" Red and "-" Black
- UL, CUR & TUV Approval

PERFORMANCE

○ : 12V/24V



DIMENSIONS

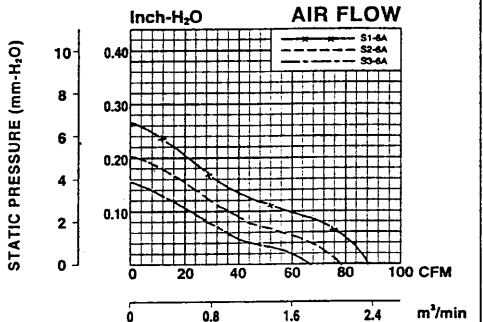


120 x 120 x 25mm

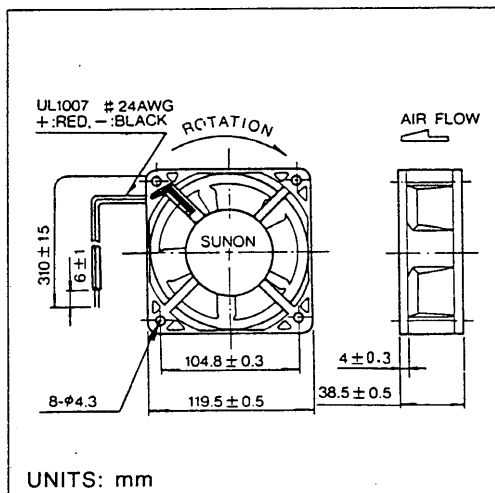
- 67 to 90 CFM
- 12 and 24 VDC (nominal)
- Patented Single-coil Brushless 6 Poles DC Motor Design
- DC Motor Protected by IC
- Locked Rotor Protection
- Polarity Protected
- Lubricated Sintered Sleeve Bearing System or Precision Ball Bearing System
- 24 AWG UL Rating Leadwire, "+" Red and "-" Black

PERFORMANCE

○ : 12V/24V



DIMENSIONS



120 x 120 x 38mm

- 83 to 120 CFM
- 12 and 24 VDC (nominal)
- Patented Single-coil Brushless 6 Poles DC Motor Design
- DC Motor Protected by IC
- Locked Rotor Protection
- Polarity Protected
- Lubricated Sintered Sleeve Bearing System or Precision Ball Bearing System
- 24 AWG UL Rating Leadwire, "+" Red and "-" Black
- UL, CUR & TUV Approval

PERFORMANCE

○ : 12V/24V

