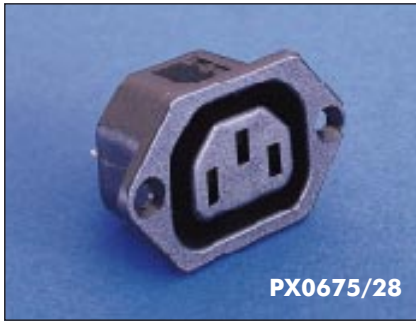
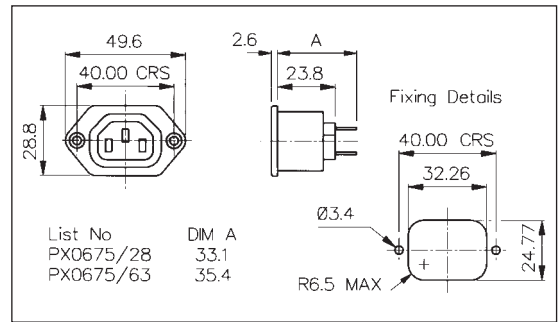


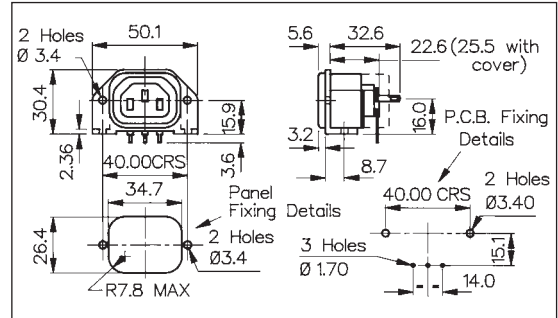
## EN60 320-2-2 (Standard Sheet F Class I)



- Flange Mount Outlet
- 2.8mm or 6.3mm Tabs
- 10A, 250V a.c.  
(15A, 250V a.c. UL & CSA)



- PC Flange Rear Mount Outlet
- PC Spills
- 10A, 250V a.c.  
(15A, 250V a.c. UL & CSA)



Specification	PX0675/Termination	PX0675/PC
Fixing:	Flange	P.C.B./Flange
Terminations:	/28 (2.8mm solder), /63 (6.3mm tab)	P.C. Spills
Max. Rating:	10A, 250V a.c. (UL & CSA 15A, 250V a.c.)	10A, 250V a.c. (UL & CSA 15A, 250V a.c.)
Contact Resistance:	<10mΩ	<10mΩ
Insulation Resistance:	>10 <sup>4</sup> MΩ	>10 <sup>4</sup> MΩ
A.C. Breakdown:	Pole-Pole 7kV. Poles-Panel 9kV	Pole-Pole 4kV. Poles-Panel 9kV
Operating Temp. Range:	-40°C to +70°C	-40°C to +70°C
Mouldings:	Nylon, Flammability Rating UL 94V-0	Nylon, Flammability Rating UL 94V-0
Contacts:	Brass, Tin Plated	Brass, Tin Plated
Approvals:		
Accessories / Notes:	P.No. 12075, KT0006 (See Page 48)	Standard without cover. With cover add /12599 to P.No.
Mates with:	PX0685, PX0686, PX0686/SE, PZ0500, PZ0600	PX0685, PX0686, PX0686/SE, PZ0500, PZ0600