

IF IN DOUBT - ASK

THIS IS A CAD DRAWING. ALL PRINTS ARE FOR REFERENCE ONLY. DO NOT AMMEND HARD COPIES. ALL CHANGES TO BE MADE TO ORIGINAL CAD DRAWING ONLY.

9-712 → 839
 160-001 → 160-064
 186-788 → 186-831

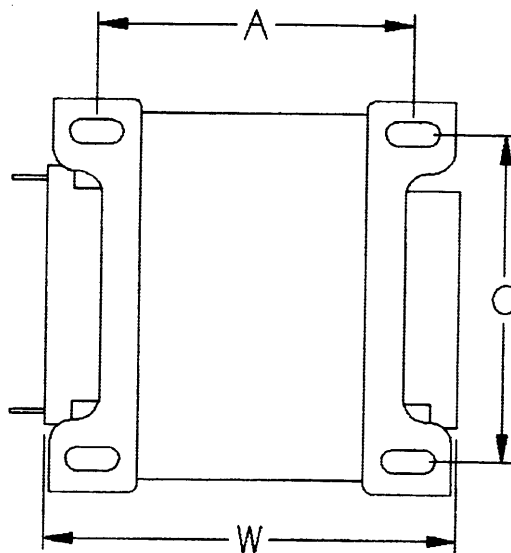
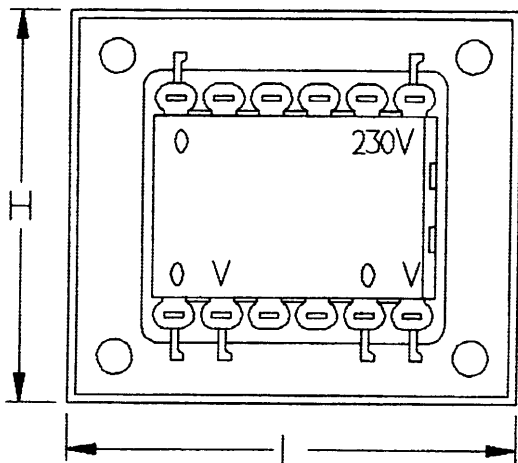
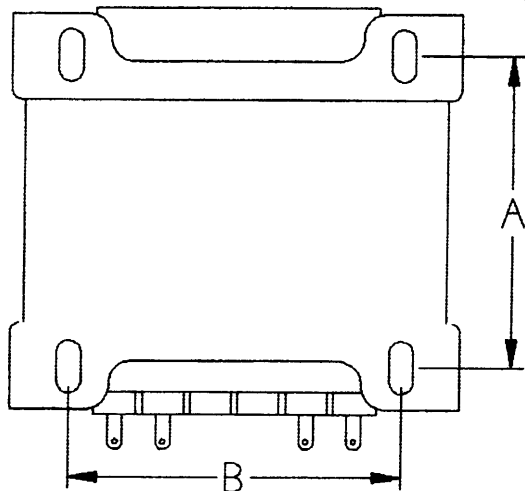
75VA-200VA 230V CHASSIS RANGE

Tech Cabinet

159-712 to 159-839

160-003 to 160-064

186-788 to 186-831



RATED VA	REG %	DIMENSIONS			FIXINGS				wt. KG
		L	W.#	H.	A	B	C	SIZE	
75	8	80	71	67	55	54	54	4BA	1.48
100	10	89	65	75	44	57	57	M5	1.55
200	8	102	85	85	68	72	56	M5	2.75

EXCLUDES TAGS

Third Angle Projection	DRAWING NAME OUTLINE DRAWINGS AND DATA	DRAWING No OLD-0005			
General Tolerance x - ± 0.4mm x.x - ± 0.2mm x.xx - ± 0.1mm	USED ON 75VA-200VA 230V CHASSIS RANGE	ISSUE	DATE	ENG	ECN
<small>THIS DRAWING IS THE PROPERTY OF DUNNELL ELECTRONICS LIMITED WHICH MAKES NO WARRANTY AS TO THE ACCURACY OR COMPLETENESS OF THE INFORMATION CONTAINED HEREIN. IT IS THE RESPONSIBILITY OF THE USER TO OBTAIN NECESSARY PERMISSIONS FROM THE ORIGINAL DRAWING OR TO A THIRD PARTY AND SHALL BE RESPONSIBLE FOR ANY REPRODUCTION OR USE OF THIS DRAWING OR ITS CONTENTS WITHOUT THE PRIOR WRITTEN PERMISSION OF DUNNELL ELECTRONICS LIMITED.</small>	FINISH	SCALE N.T.S.			