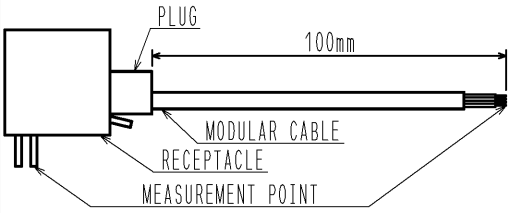


APPLICABLE STANDARD		ANSI/TIA/EIA-568-B.2.10 CAT6a		
RATING	OPERATING TEMPERATURE RANGE	① -25 °C TO 60 °C	STORAGE TEMPERATURE RANGE	-25 °C TO 60 °C
	VOLTAGE	125 V AC	OPERATING HUMIDITY RANGE	95 % MAX
	CURRENT	1 A	APPLICABLE CABLE	AWG# 24 ~ AWG# 27

SPECIFICATIONS

ITEM	TEST METHOD	REQUIREMENTS	QT	AT
CONSTRUCTION				
GENERAL EXAMINATION	VISUALLY AND BY MEASURING INSTRUMENT.	ACCORDING TO DRAWING.	X	X
MARKING	CONFIRMED VISUALLY.		X	X

ELECTRIC CHARACTERISTICS				
CONTACT RESISTANCE	100 mA (DC OR 1000 Hz AC).	50 mΩ MAX.	X	X
				
INSULATION RESISTANCE	100 V DC.	100 MΩ MIN.	X	X
VOLTAGE PROOF	500 V AC FOR 1 min.	NO FLASHOVER OR BREAKDOWN.	X	X

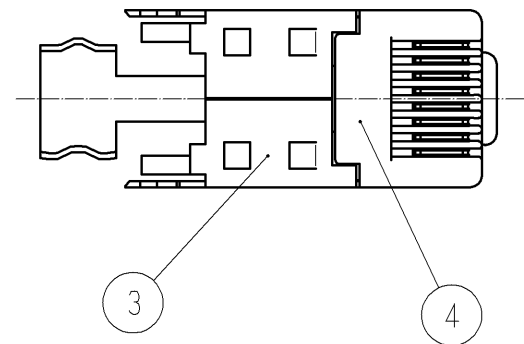
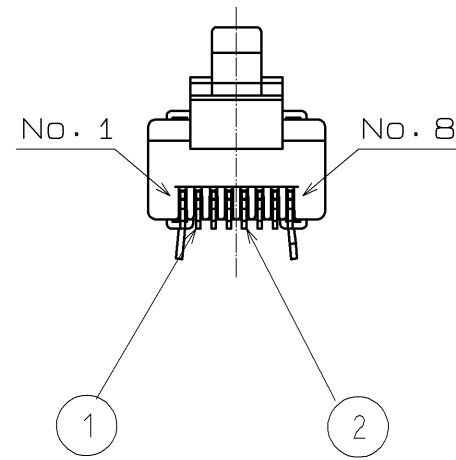
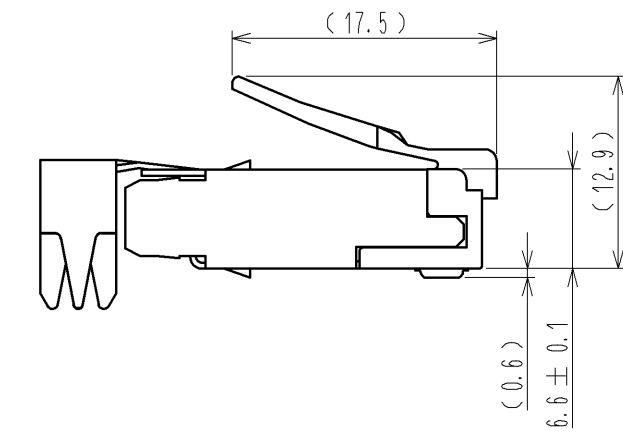
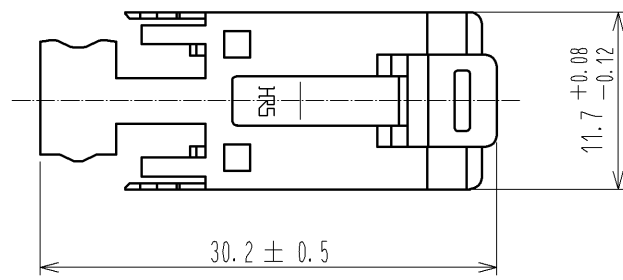
MECHANICAL CHARACTERISTICS				
MECHANICAL OPERATION	200 TIMES INSERTIONS AND EXTRACTIONS.	1)CONTACT RESISTANCE: 70 mΩ MAX. 2)NO DAMAGE, CRACK AND LOOSENESS, OF PARTS.	X	—
VIBRATION	FREQUENCY 10 TO 55Hz, SINGLE AMPLITUDE 0.75 mm, AT 2h, FOR 3 DIRECTIONS.	1)NO ELECTRICAL DISCONTINUITY OF 1 μs. 2)CONTACT RESISTANCE: 70 mΩ MAX. 3)NO DAMAGE, CRACK AND LOOSENESS, OF PARTS.	X	—
SHOCK	490 m/s ² DIRECTIONS OF PULSE 11 ms AT 3 TIMES FOR 6 DIRECTIONS.		X	—

ENVIRONMENTAL CHARACTERISTICS				
DAMP HEAT (STEADY STATE)	EXPOSED AT 40 °C, 90 TO 95 %, 500h.	1)CONTACT RESISTANCE: 70 mΩ MAX. 2)INSULATION RESISTANCE: 1 MΩ MIN.(AT HIGH HUMIDITY) 10MΩ MIN.(AT DRY) 3)NO DAMAGE, CRACK AND LOOSENESS, OF PARTS.	X	—
RAPID CHANGE OF TEMPERATURE	TEMPERATURE: -55 → 15 TO 35 → 85 → 15 TO 35 °C TIME: 30 → 2 TO 3 → 30 → 2 TO 3 min. UNDER 5 CYCLES.	1)CONTACT RESISTANCE: 70 mΩ MAX. 2)INSULATION RESISTANCE: 100 MΩ MIN. 3)NO DAMAGE, CRACK AND LOOSENESS, OF PARTS.	X	—
CORROSION SALT MIST	EXPOSED IN 5 % SALT WATER SPRAY FOR 48 h.	1)CONTACT RESISTANCE: 70 mΩ MAX. 2)NO DAMAGE, CRACK AND LOOSENESS, OF PARTS.	X	—

- ① THE OPERATION TEMPERATURE INCLUDES THE TEMPERATURE RISE BY CURRENT CARRYING.
 ② TEMPERATURE RANGE FOR A CONNECTOR UNMATED.
 ③ USE UNDER THE CONDITION RECOMMENDED BY A CABLE MANUFACTURE.

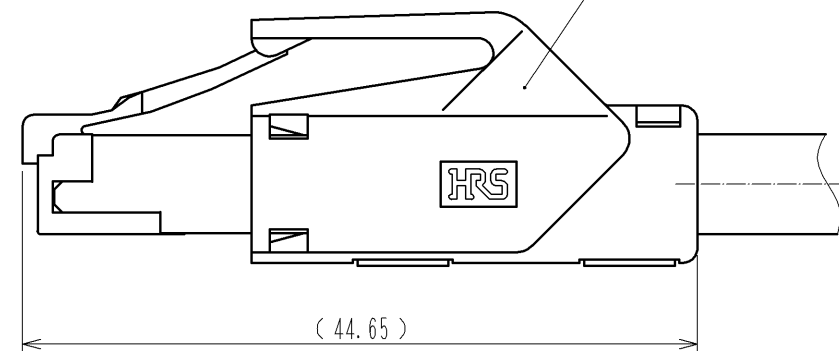
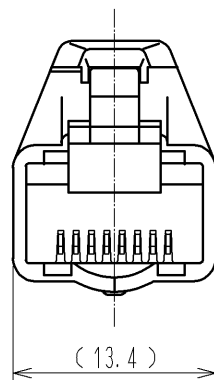
COUNT	DESCRIPTION OF REVISIONS	DESIGNED	CHECKED	DATE
△				
REMARK			APPROVED	YH. ENAMI 09.06.02
			CHECKED	YH. ENAMI 09.06.02
			DESIGNED	MT. ITANO 09.06.02
Unless otherwise specified, refer to JIS C 5402.			DRAWN	MT. ITANO 09.06.02

Note QT:Qualification Test AT:Assurance Test X:Applicable Test		DRAWING NO. ELC4-126868-01	
HRS	SPECIFICATION SHEET	PART NO.	TM31P-TM-88P (01)
	HIROSE ELECTRIC CO., LTD.	CODE NO.	CL222-4626-7-01
			△ 1/1



4 CL222-2862-9-**
TM21P-88P(**)

COVER(SOLD SEPARATEIL)MATED



1 TABLE-1

APPLICABLE CABLE WIRE		
	CONDUCTOR	AWG#24 STRANDED WIRE ~ AWG#27 STRANDED WIRE
	INSULATOR DIAMETER	($\phi 0.9 \sim \phi 1.0$)
	JACKET DIAMETER	($\phi 5.8 \sim \phi 6.0$)

- NOTES 1 APPLICABLE CABLE IS SHOWN IN TABLE-1
 2. () INDICATES THE REFERENCE DIMENSIONS.
 3. TO SATISFY CAT6a PERFORMANCE, PLEASE ASSEMBLE ACCORDING TO HRS INSTRUCTION. (ETAD-E2847)
 4. COLORS ARE DIFFERENT DEPENDING ON THE SPECIFICATION NUMBER.

2	PHOSPHOR BRONZE	CONTACT: GOLD PLATING 1.27 μ m MIN LEAD: GOLD PLATING 0.03 μ m MIN UNDER: NICKEL PLATING 2 μ m MIN			
1	PHOSPHOR BRONZE	CONTACT: GOLD PLATING 1.27 μ m MIN LEAD: GOLD PLATING 0.03 μ m MIN UNDER: NICKEL PLATING 2 μ m MIN	4	POLYCARBONATE	(YELLOW)UL94V-2
			3	STAINLESS STEEL	OVER:NICKEL PLATING 0.5 μ m MIN
NO.	MATERIAL	FINISH . REMARKS	NO.	MATERIAL	FINISH . REMARKS
UNITS mm		SCALE 2 : 1	COUNT Δ	DESCRIPTION OF REVISIONS	
DESIGNED		CHECKED		DATE	
APPROVED : YH. ENAMI		09.06.02		DRAWING NO. EDC3-126868-01	
CHECKED : YH. ENAMI		09.06.02		PART NO. TM31P-TM-88P(01)	
DESIGNED : MT. ITANO		09.06.02		CODE NO. CL222-4626-7-01	
DRAWN : MT. ITANO		09.06.02		Δ 1/1	