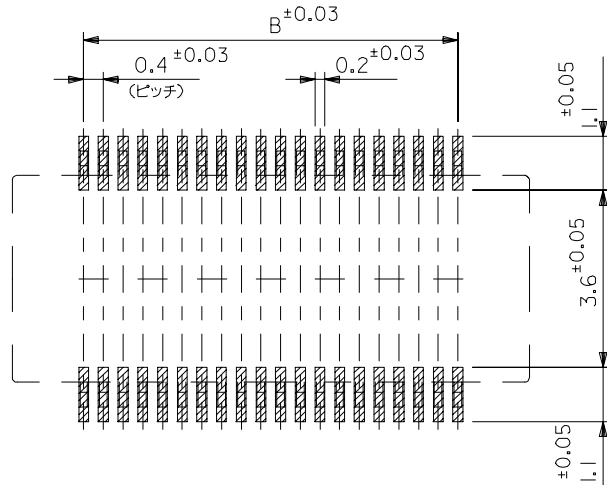


18.52	17.6	20.5	54796-0901	90
16.52	15.6	18.5	54796-0801	80
12.52	11.6	14.5	54796-0601	60
10.52	9.6	12.5	54796-0501	50
8.52	7.6	10.5	54796-0401	40
6.92	6.0	8.9	54796-0321	32
C	B	A	MATERIAL NO.	CK+

REVISED EC NO: J2007-1035 DRW: MNABEI 2006/10/17 CHK: KYOYODA 2006/10/19 APPR: NUKITA 2006/10/23	GENERAL TOLERANCES (UNLESS SPECIFIED)		DIMENSION STYLE MM ONLY		SCALE ---	DESIGN UNITS METRIC	THIRD ANGLE PROJECTION
	10 UNDER	±0.2	DRAWN BY S. AIHARA	DATE '00/05/30	TITLE 0.4 B/B CONN REC ASSY WITHOUT NAIL (HGT=1.5)		
	10 OVER 30 UNDER	±0.25	CHECKED BY T. ITO	DATE '02/04/03	APPROVED BY TO. YAMAGUCHI		
	30 OVER	±0.3	DATE '02/04/03	MOLEX INCORPORATED			
	ANGULAR ±3 °	DRAFT WHERE APPLICABLE MUST REMAIN WITHIN DIMENSIONS		MATERIAL NO. SEE CHART		DOCUMENT NO. SD-54796-003	SHEET NO. 1 OF 2
		THIS DRAWING CONTAINS INFORMATION THAT IS PROPRIETARY TO MOLEX INCORPORATED AND SHOULD NOT BE USED WITHOUT WRITTEN PERMISSION					

10 9 8 7 6 5 4 3 2 1



参考基板レイアウト (マウント面)
P.C.BOARD PATTERN DIMENSION (REFERENCE)
(MOUNTING AREA)

注記 NOTES:

1. 使用材料 MATERIAL
ハウジング:液晶ポリマー ガラス充填 UL94V-0 (黒)
HOUSING:LIQUID CRYSTAL POLYMER(GLASS FILLED)
UL94V-0 (COLOR:BLACK)
ターミナル:リン青銅 (t=0.15)
TERMINAL:PHOSPHOR BRONZE(t=0.15)
2. メッキ仕様 PLATING
ターミナル TERMINAL
金メッキ 0.25マイクロメートル以上 (コンタクト部)
GOLD 0.25MICROMETER MINIMUM (CONTACT AREA)
金メッキ 0.4マイクロメートル以下 (テール部)
GOLD 0.4MICROMETER MAXIMUM (TAIL AREA)
下地メッキ:ニッケルメッキ1.5マイクロメートル以上
UNDER PLATING :NICKEL 1.5MICROMETER MINIMUM
△ (全極数/2) = 偶数の場合に適用。
APPLY FOR (CIRCUIT/2)=EVEN.
4. 嵌合相手: 55622-***1
MATE WITH : 55622-***1
5. テール平坦度は、0.08以下
TAIL COPLANARITY TO BE 0.08MAXIMUM

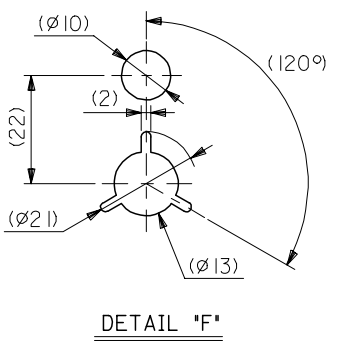
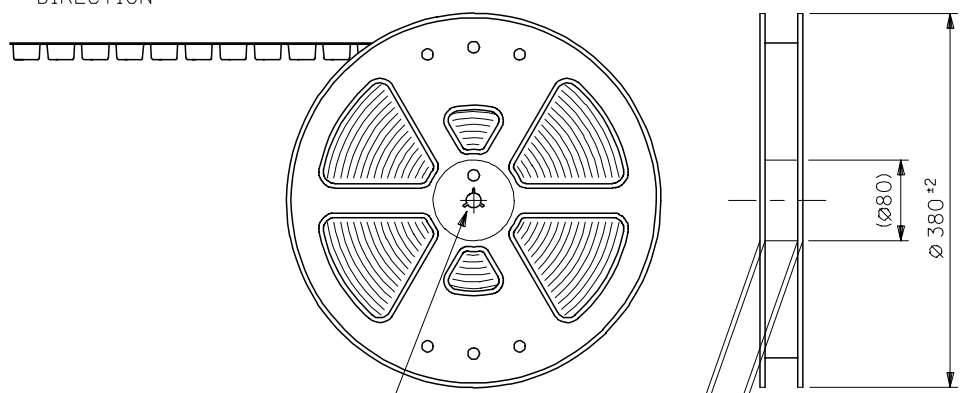
MODEL NO. 54796-***1

REVISED EC NO: J2007-1035 DRWN: NABEI 2006/10/17 CHKD: TOYODA 2006/10/19 APPR: NUKITA 2006/10/23	GENERAL TOLERANCES (UNLESS SPECIFIED)		DIMENSION STYLE MM ONLY		SCALE ---	DESIGN UNITS METRIC	THIRD ANGLE PROJECTION
	10 UNDER	± 0.2	DRAWN BY S. AIHARA	DATE '00/05/30	TITLE 0.4 B/B CONN REC ASSY WITHOUT NAIL (HGT=1.5)		
	10 OVER 30 UNDER	± 0.25	CHECKED BY T. ITO	DATE '02/04/03	APPROVED BY TO. YAMAGUCHI '02/04/03		
	30 OVER	± 0.3	APPROVED BY TO. YAMAGUCHI '02/04/03		MOLEX INCORPORATED		
	ANGULAR	± 3 °	MATERIAL NO. SEE CHART		DOCUMENT NO. SD-54796-003	SHEET NO. 2 OF 2	
REV	DRAFT WHERE APPLICABLE MUST REMAIN WITHIN DIMENSIONS		SIZE A3		THIS DRAWING CONTAINS INFORMATION THAT IS PROPRIETARY TO MOLEX INCORPORATED AND SHOULD NOT BE USED WITHOUT WRITTEN PERMISSION		

10 9 8 7 6 5 4 3 2 1

F
E
D
C
B
A

引き出し方向
PULL OUT
DIRECTION



NOTES

- 製品詳細寸法については図面 SD-54796-003 を参照下さい。
RE DETAILED DIMENSION, SEE SD-54796-003
 - 梱包数量：3000個/リール
NUMBER OF CONNECTORS：3000PCS/REEL
 - リードテープ長さ LEAD TAPE LENGTH
20PCS. MIN. トップテープ接着部 (空エンボス)
TOP TAPE BONDED PART. (EMPTY)
-
- 材料 (MATERIAL)
キャリアテープ (CARRIER TAPE)：ポリプロピレン (POLYPROPYLENE)
トップテープ (TOPTAPE)：PET, PE, PEF
リール (REEL)：ポリスチレン (PS) <リサイクル材を含む>
POLYSTYRENE (PS) <RECYCLE MATERIAL CONTAINED>

MODEL NO. 54796-****8

REVISED EC NO: J2007-1035 DRWN: NABEI 2006/10/17 CHKD: TOYODA 2006/10/19 APPR: NUKITA 2006/10/23	GENERAL TOLERANCES (UNLESS SPECIFIED)		DIMENSION STYLE MM ONLY		SCALE ---	DESIGN UNITS METRIC	THIRD ANGLE PROJECTION	
	10 UNDER	± 0.2	DRAWN BY S. AIHARA	DATE '00/05/30	TITLE 0.4 B/B REC ASSY W/O NAIL (HGT=1.5) EMBSTP PKG			
	10 OVER 30 UNDER	± 0.25	CHECKED BY T. ITO	DATE '02/04/03	MOLEX INCORPORATED			
	30 OVER	± 0.3	APPROVED BY TO. YAMAGUCHI	DATE '02/04/03	DOCUMENT NO. SD-54796-004			
	ANGULAR	± 3 °	MATERIAL NO. SEE CHART		SHEET NO. 1 OF 3			
DRAFT WHERE APPLICABLE MUST REMAIN WITHIN DIMENSIONS		THIS DRAWING CONTAINS INFORMATION THAT IS PROPRIETARY TO MOLEX INCORPORATED AND SHOULD NOT BE USED WITHOUT WRITTEN PERMISSION						

10 9 8 7 6 5 4 3 2 1

F

E

D

C

B

A

F

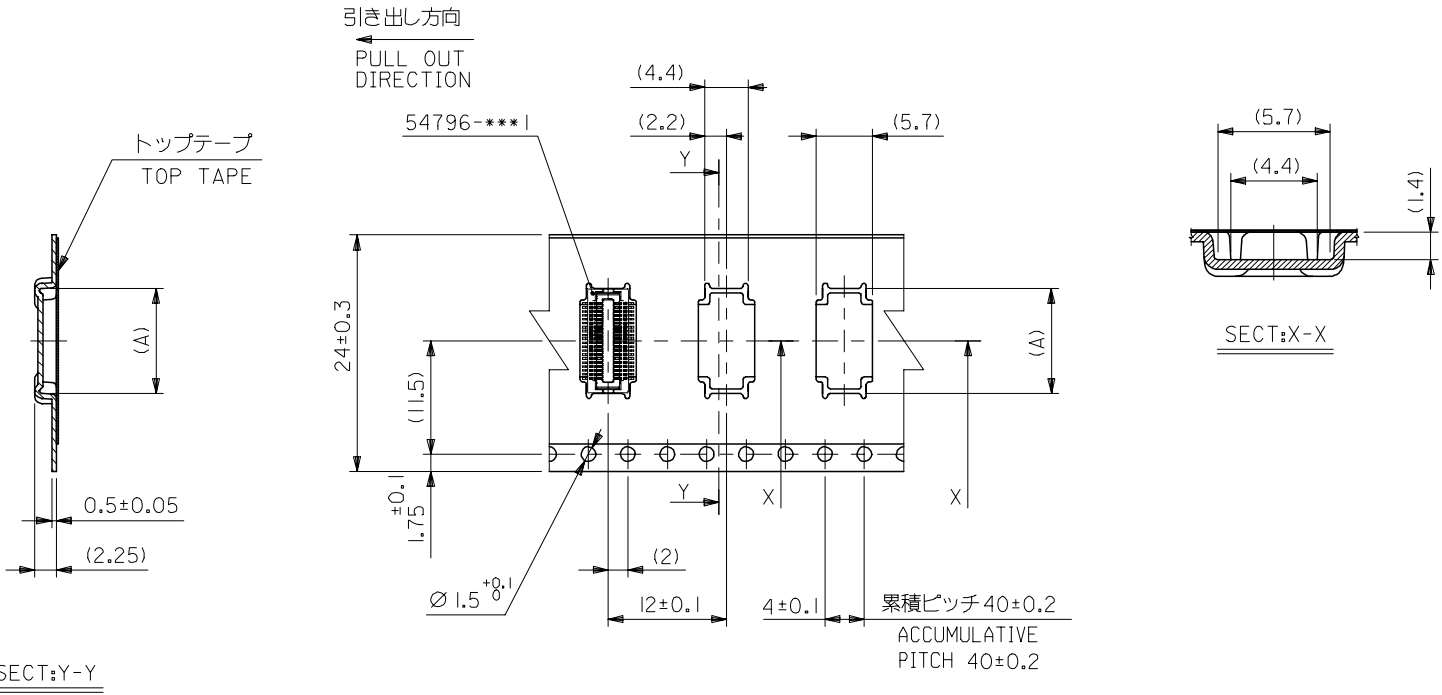
E

D

C

B

A



24mm幅キャリアテープ
24mm WIDTH CARRIER TAPE

24	29.4	25.4	14.7	54796-0608	60
			12.7	54796-0508	50
			10.7	54796-0408	40
			9.1	54796-0328	32
キャリアテープ幅 CARRIER TAPE WIDTH			C	B	(A)
			MATERIAL NO.	極数 CK+	

MODEL NO. 54796-***8

REVISED EC NO: J2007-1035 DRW: MABEI 2006/10/17 CHK: KTOYODA 2006/10/19 APPR: NUKITA 2006/10/23	GENERAL TOLERANCES (UNLESS SPECIFIED)		DIMENSION STYLE MM ONLY	SCALE ---	DESIGN UNITS METRIC	THIRD ANGLE PROJECTION
	10 UNDER	±0.2	DRAWN BY S. AIHARA	DATE '00/05/30	TITLE 0.4 B/B REC ASSY W/O NAIL (HGT=1.5) EMBSTP PKG	
	10 OVER 30 UNDER	±0.25	CHECKED BY T. ITO	DATE '02/04/03	MOLEX INCORPORATED	
	30 OVER	±0.3	APPROVED BY TO. YAMAGUCHI	DATE '02/04/03	DOCUMENT NO. SD-54796-004	SHEET NO. 2 OF 3
	ANGULAR	±3 °	MATERIAL NO.	SEE CHART		
DRAFT WHERE APPLICABLE MUST REMAIN WITHIN DIMENSIONS		SIZE A3	THIS DRAWING CONTAINS INFORMATION THAT IS PROPRIETARY TO MOLEX INCORPORATED AND SHOULD NOT BE USED WITHOUT WRITTEN PERMISSION			

10 9 8 7 6 5 4 3 2 1

F

E

D

C

B

A

F

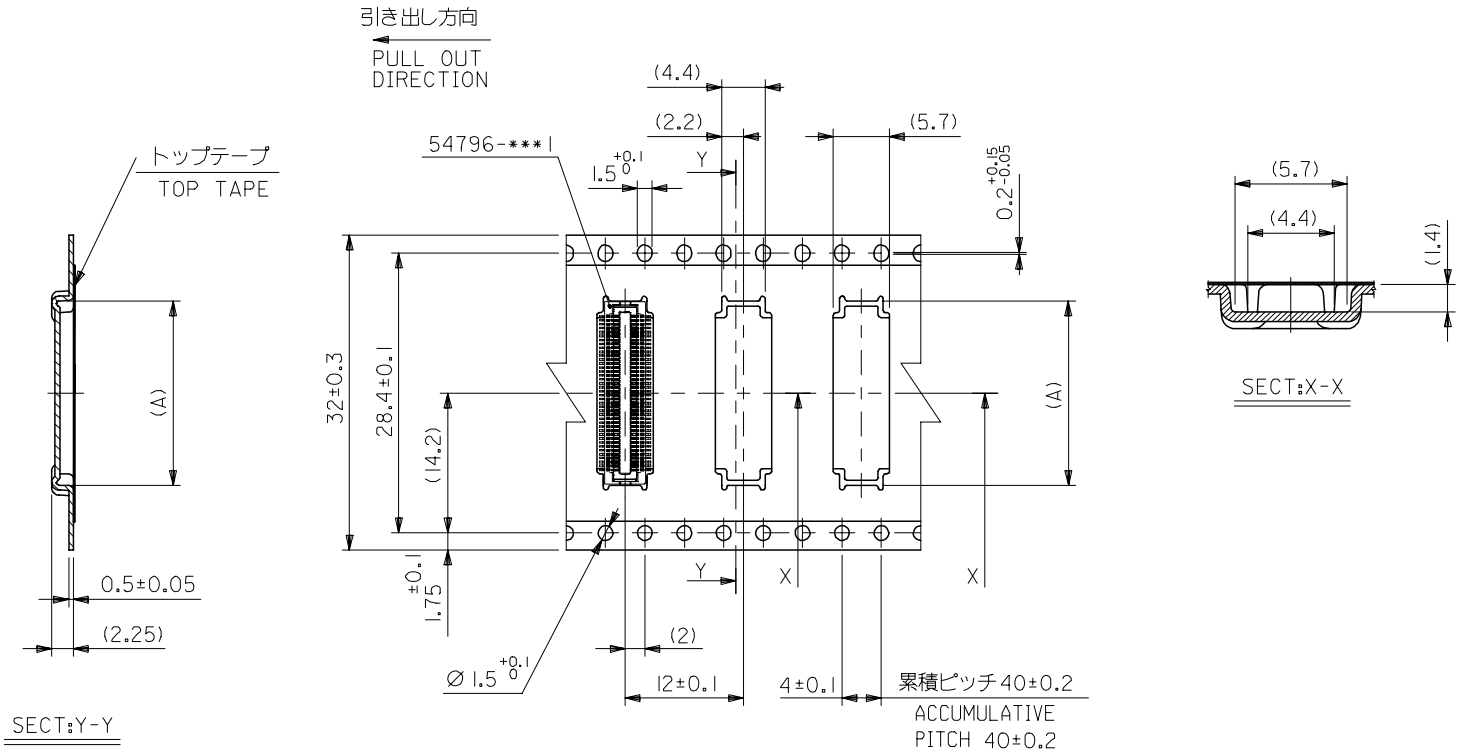
E

D

C

B

A



SECT:Y-Y

SECT:X-X

32mm幅キャリアテープ
32mm WIDTH CARRIER TAPE

32	37.4	33.4	20.7	54796-0908	90
			18.7	54796-0808	80
キャリアテープ幅 CARRIER TAPE WIDTH	C	B	(A)	MATERIAL NO.	極数 CK+
MODEL NO.				54796-***8	

REVISED EC NO: J2007-1035 DRWN: NABEI 2006/10/17 CHKD: KTOYODA 2006/10/19 APPR: NUKITA 2006/10/23	GENERAL TOLERANCES (UNLESS SPECIFIED)		DIMENSION STYLE MM ONLY		SCALE ---	DESIGN UNITS METRIC	THIRD ANGLE PROJECTION
	10 UNDER	±0.2	DRAWN BY S. AIHARA	DATE '00/05/30	TITLE 0.4 B/B REC ASSY W/O NAIL (HGT=1.5) EMBSTP PKG		
	10 OVER 30 UNDER	±0.25	CHECKED BY T. ITO	DATE '02/04/03	APPROVED BY TO. YAMAGUCHI '02/04/03		
	30 OVER	±0.3	MATERIAL NO.		DOCUMENT NO.		SHEET NO.
	ANGULAR	±3 °	SEE CHART		SD-54796-004		3 OF 3
DRAFT WHERE APPLICABLE MUST REMAIN WITHIN DIMENSIONS		THIS DRAWING CONTAINS INFORMATION THAT IS PROPRIETARY TO MOLEX INCORPORATED AND SHOULD NOT BE USED WITHOUT WRITTEN PERMISSION					