

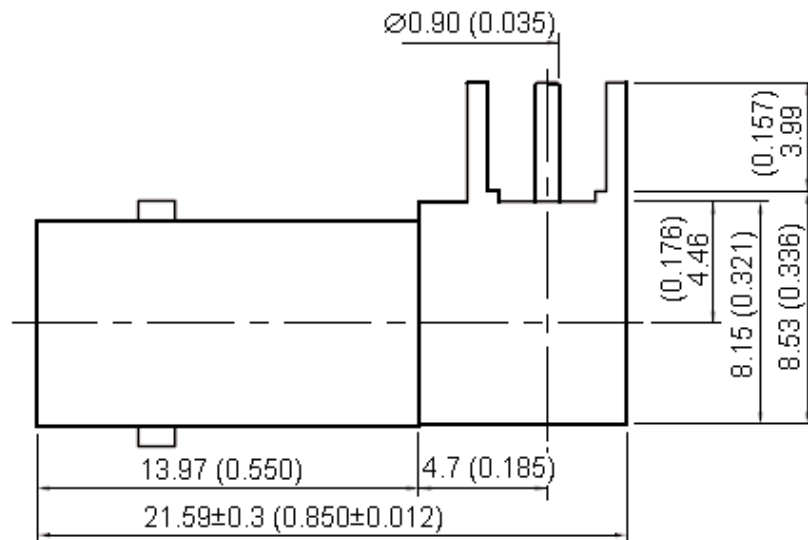
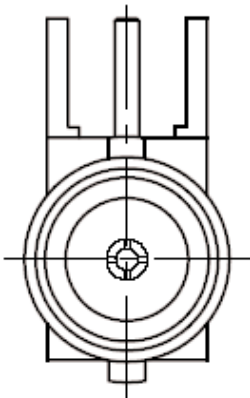
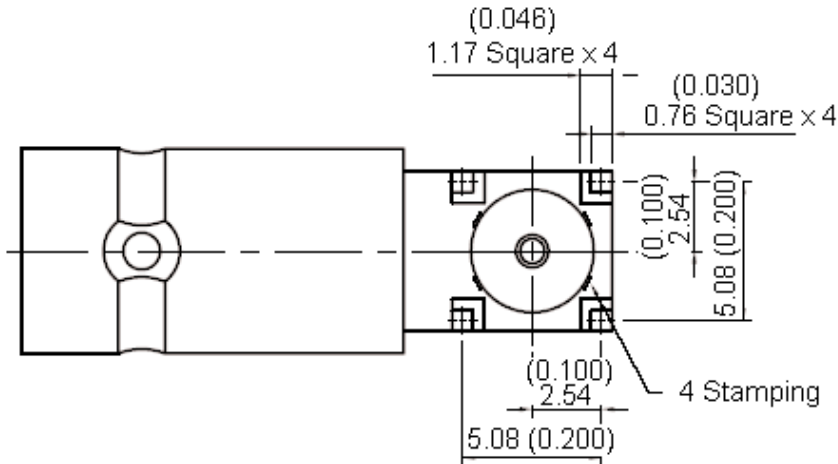
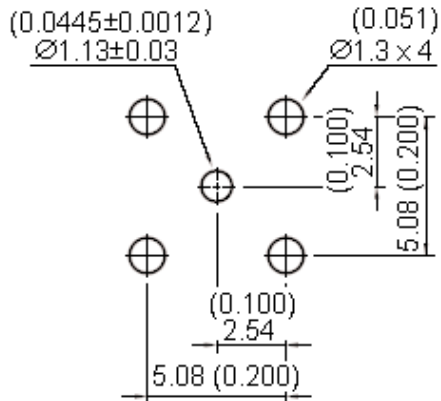


PART NO.

56-06-TGN

REVISIONS

ECN #	REV	DESCRIPTION	DRAWN	DATE	CHECKD	DATE	APPRVD	DATE
-	A	RELEASED	Jagan	22/10/09	Sreejesh	22/10/09	Farnell	05/11/09



Dimensions : Millimetres (Inches)

This data sheet and its contents (the "Information") belong to the Premier Farnell Group (the "Group") or are licensed to it. No licence is granted for the use of it other than for information purposes in connection with the products to which it relates. No licence of any intellectual property rights is granted. The Information is subject to change without notice and replaces all data sheets previously supplied. The Information supplied is believed to be accurate but the Group assumes no responsibility for its accuracy or completeness, any error in or omission from it or for any use made of it. Users of this data sheet should check for themselves the Information and the suitability of the products for their purpose and not make any assumptions based on information included or omitted. Liability for loss or damage resulting from any reliance on the Information or use of it (including liability resulting from negligence or where the Group was aware of the possibility of such loss or damage arising) is excluded. This will not operate to limit or restrict the Group's liability for death or personal injury resulting from its negligence. SPC MULTICOMP is the registered trademark of the Group. © Premier Farnell plc 2009.

TOLERANCES:
UNLESS OTHERWISE SPECIFIED, DIMENSIONS ARE FOR REFERENCE PURPOSES ONLY.

DRAWN BY:	DATE:
Jagan	22/10/09
CHECKED BY:	DATE:
Sreejesh	22/10/09
APPROVED BY:	DATE:
Farnell	05/11/09

DRAWING TITLE:

Mini BNC Jack, PCB Right Angle - 50 Ohm

SIZE	DWG NO.	ELECTRONIC FILE	REV
A	M10002408	1342659-DWG	A
SCALE: NTS		U.O.M.: mm (Inches)	SHEET: 1 OF 2



PART NO.

56-06-TGN

REVISIONS

ECN #	REV	DESCRIPTION	DRAWN	DATE	CHECKD	DATE	APPRVD	DATE
-	A	RELEASED	Jagan	22/10/09	Sreejesh	22/10/09	Farnell	05/11/09

Specifications:

Electrical:

Frequency Range : DC-2GHz.
 Nominal Impedance : 50 ohms.
 Maximum Working Voltage : 300V
 Proof Voltage : 1000V
 Maximum VSWR : 1.1 at 750MHz
 1.16 at 1GHz

Materials:

Bodies : Brass per JIS-C3604.
 Centre Contact : Phosphor Bronze JIS-H3270.
 Insulation : PTFE per ASTM D1457 and ASTM D1710.

Environmental:

Operating Temperature Range : -40°C to +85°C

Specification Table

Number	Description	Material	Finish	Part Number
1	Washer	Brass	Nickel 100µ" Minimum	56-06-TGN
2	Insulation I	PTFE	None	
3	Centre Contact	Phosphor Bronze	Gold	
4	Body I	Brass	Nickel 100µ" Minimum	
5	Body II			
6	Insulation II	PTFE	None	

<http://www.farnell.com>

<http://www.newark.com>

<http://www.cpc.co.uk>

This data sheet and its contents (the "Information") belong to the Premier Farnell Group (the "Group") or are licensed to it. No licence is granted for the use of it other than for information purposes in connection with the products to which it relates. No licence of any intellectual property rights is granted. The Information is subject to change without notice and replaces all data sheets previously supplied. The Information supplied is believed to be accurate but the Group assumes no responsibility for its accuracy or completeness, any error in or omission from it or for any use made of it. Users of this data sheet should check for themselves the Information and the suitability of the products for their purpose and not make any assumptions based on information included or omitted. Liability for loss or damage resulting from any reliance on the Information or use of it (including liability resulting from negligence or where the Group was aware of the possibility of such loss or damage arising) is excluded. This will not operate to limit or restrict the Group's liability for death or personal injury resulting from its negligence. SPC MULTICOMP is the registered trademark of the Group. © Premier Farnell plc 2009.

TOLERANCES:

UNLESS OTHERWISE SPECIFIED, DIMENSIONS ARE FOR REFERENCE PURPOSES ONLY.

DRAWN BY:	DATE:
Jagan	22/10/09
CHECKED BY:	DATE:
Sreejesh	22/10/09
APPROVED BY:	DATE:
Farnell	05/11/09

DRAWING TITLE:			
Mini BNC Jack, PCB Right Angle - 50 Ohm			
SIZE	DWG NO.	ELECTRONIC FILE	REV
A	M10002408	1342659-DWG	A
SCALE: NTS		U.O.M.: mm (Inches)	SHEET: 2 OF 2