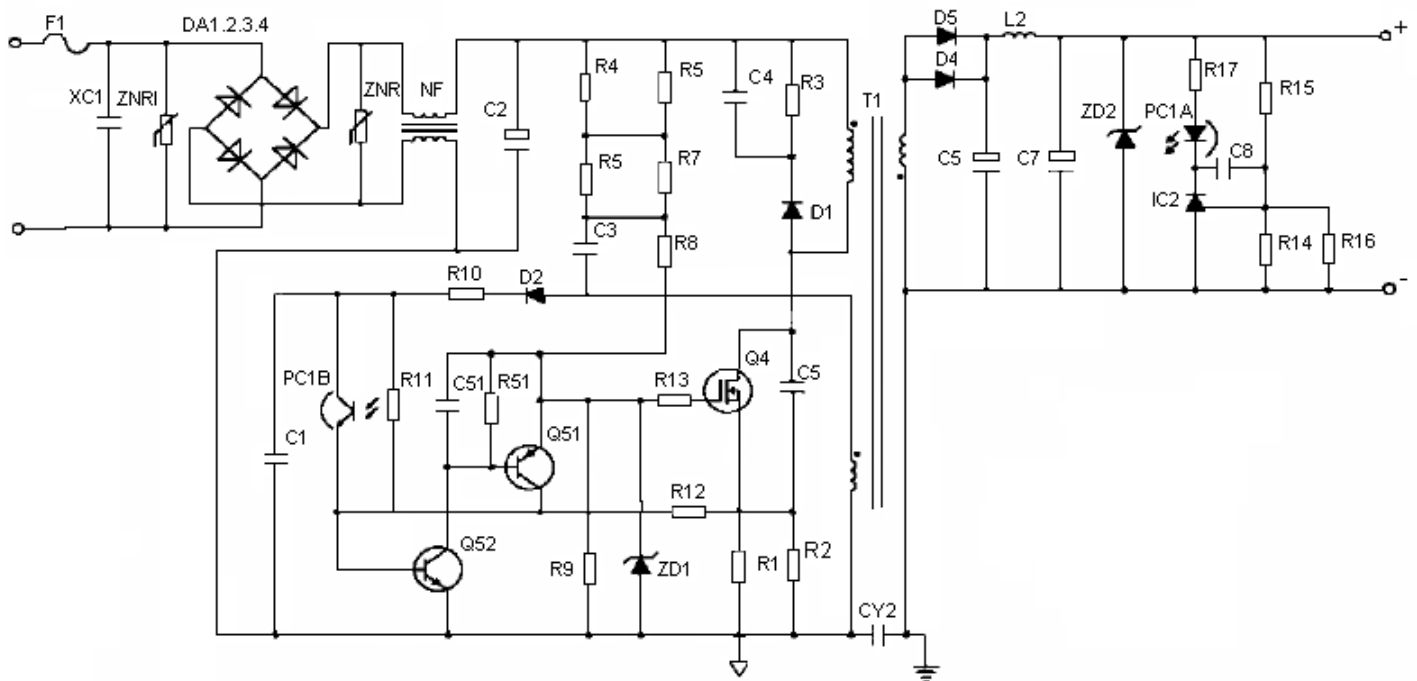


In-line PSU

13A



Schematic



Specifications

Input volts	100 to 240V ac
Frequency	50 to 60Hz
Minimum input current	100mA maximum
Maximum input current	300mA rms
Leakage current	0.25mA
Minimum efficiency	60%
Output volts no load	9V dc
Output volts	9V dc ($\pm 5\%$)
Output current	1.3A
Over voltage (shut down)	11.4 to 12.6V dc



In-line PSU

13A



Specifications

Short circuit (shut down and auto restart)	
Ripple and noise (p-p)	100mV
Operating temperature	0 to 40°C
Humidity	20 to 80%
Storage temperature	-10 to 70°C
Humidity	10 to 90%
Flash test (input to output)	3KV ac
Input connector	2 pin Euro
Lead length	2M
Output connector	2.1 x 5.5 x 12mm
Lead length	1.8M
Length	91mm
Width	68mm
Depth	53.5mm
Mounting	Wall
Mounting centres	105mm
Weight	200g

Part Number Table

Description	Part Number
PSU, In-line, 9V, 1.33A	T2402AD SWITCHING

Disclaimer This data sheet and its contents (the "Information") belong to the Premier Farnell Group (the "Group") or are licensed to it. No licence is granted for the use of it other than for information purposes in connection with the products to which it relates. No licence of any intellectual property rights is granted. The Information is subject to change without notice and replaces all data sheets previously supplied. The Information supplied is believed to be accurate but the Group assumes no responsibility for its accuracy or completeness, any error in or omission from it or for any use made of it. Users of this data sheet should check for themselves the Information and the suitability of the products for their purpose and not make any assumptions based on information included or omitted. Liability for loss or damage resulting from any reliance on the Information or use of it (including liability resulting from negligence or where the Group was aware of the possibility of such loss or damage arising) is excluded. This will not operate to limit or restrict the Group's liability for death or personal injury resulting from its negligence. SPC Multicomp is the registered trademark of the Group. © Premier Farnell plc 2009.

<http://www.farnell.com>
<http://www.newark.com>
<http://www.cpc.co.uk>

