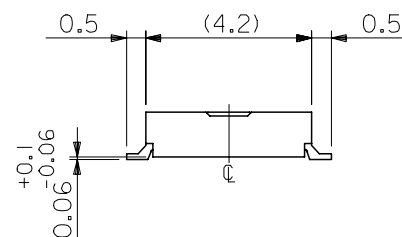
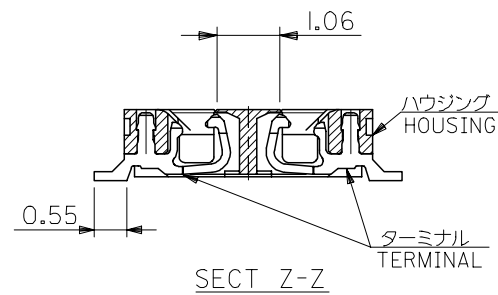
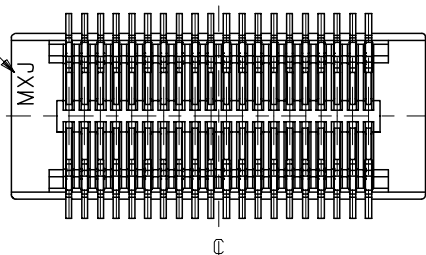


トレードマーク  
TRADE MARK



18.52	17.6	20.5	54796-0903	90
16.52	15.6	18.5	54796-0803	80
12.52	11.6	14.5	54796-0603	60
10.52	9.6	12.5	54796-0503	50
8.52	7.6	10.5	54796-0403	40
6.92	6.0	8.9	54796-0323	32
C	B	A	MATERIAL NO.	極数 CK+

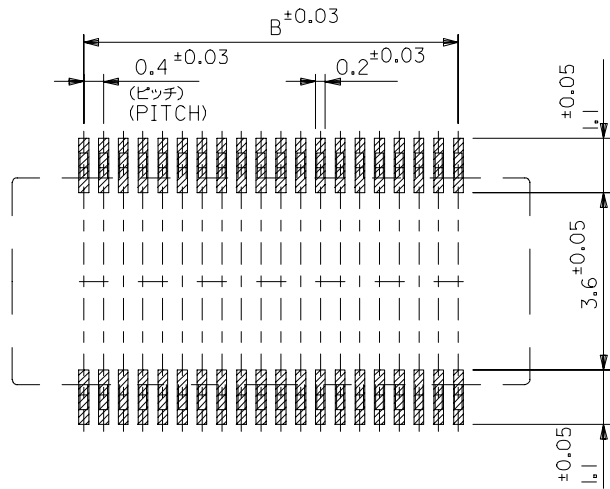
材料 MATERIAL	
注記参照 SEE NOTES	
仕上げ FINISH	—#—
適用電線範囲 WIRE RANGE	—#—
被覆外径 INS. RANGE	—#—

REVISED	2005/04/06
EC NO: J2005-2961	2005/04/07
DRWN:MNABE	2005/04/12
CHKD:KTOJO	
APPR:NUKITA	
DESCRIPTION	
REV	

GENERAL TOLERANCES (UNLESS SPECIFIED)	
10 UNDER	±0.2
10 OVER 30 UNDER	±0.25
30 OVER	±0.3
ANGULAR	±3 °
DRAFT WHERE APPLICABLE MUST REMAIN WITHIN DIMENSIONS	

DIMENSION STYLE MM ONLY	
DRAWN BY T. ITO	DATE '03/07/18
CHECKED BY T. YAMAGUCHI	DATE '03/07/18
APPROVED BY T. YAMAGUCHI	DATE '03/07/18
MATERIAL NO. SEE CHART	
SIZE A 3	

SCALE ---	MODEL NO. 54796-***3
DESIGN UNITS METRIC	THIRD ANGLE PROJECTION
TITLE 0.4 B-TO-B CONN REC ASSY [NI BARRIER] (HGT=1.5) -LEAD FREE-	
MOLEX INCORPORATED	
DOCUMENT NO. SD-54796-005	SHEET NO. 1 OF 2
THIS DRAWING CONTAINS INFORMATION THAT IS PROPRIETARY TO MOLEX INCORPORATED AND SHOULD NOT BE USED WITHOUT WRITTEN PERMISSION	



参考基板レイアウト (マウント面)  
P.C. BOARD PATTERN DIMENSION (REFERENCE)  
(MOUNTING AREA)

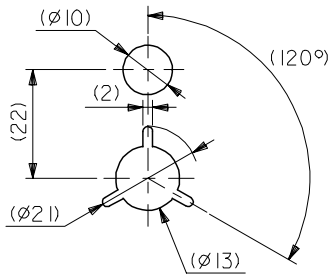
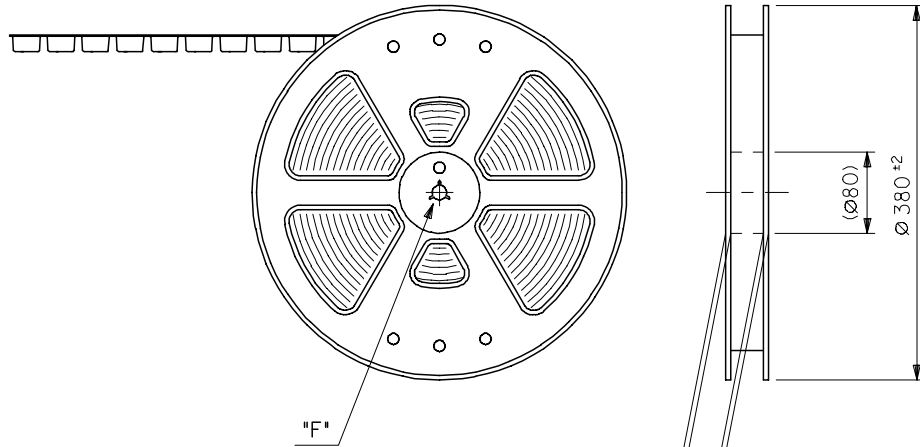
注記 NOTES:

1. 使用材料 MATERIAL  
ハウジング: 液晶ポリマー (LCP) ガラス充填 UL 94V-0 (黒)  
HOUSING: LIQUID CRYSTAL POLYMER (GLASS FILLED)  
UL94V-0 (COLOR: BLACK)  
ターミナル: リン青銅 (t=0.15)  
TERMINAL: PHOSPHOR BRONZE (t=0.15)
  2. メッキ仕様 PLATING  
ターミナル TERMINAL  
金メッキ 0.25マイクロメートル以上 (コンタクト部)  
GOLD 0.25MICROMETER MINIMUM (CONTACT AREA)  
金メッキ 0.4マイクロメートル以下 (テール部)  
GOLD 0.4MICROMETER MAXIMUM (TAIL AREA)  
下地メッキ: ニッケルメッキ 1.5マイクロメートル以上  
UNDER PLATING: NICKEL 1.5MICROMETER MINIMUM  
\*コンタクト部とテール部はニッケルメッキによって分断されている金メッキです。  
DIVIDE INTO PARTS THE GOLD PLATING OF THE CONTACT AND THE TAIL PART BY THE NICKEL PLATING.
- △ (全極数/2) = 偶数の場合に適用。  
APPLY FOR (CIRCUIT/2)=EVEN.
4. 嵌合相手: 55622 シリーズ  
MATE WITH: 55622 SERIES
  5. テール平坦度は、0.08以下  
TAIL COPLANARITY TO BE 0.08MAXIMUM

MODEL NO. 54796-\*\*\*3

REVISED EC NO: J2005-2961 DRWN: NABEI 2005/04/06 CHKD: KTOJO 2005/04/07 APPR: NUKITA 2005/04/12 DESCRIPTION REV A	GENERAL TOLERANCES (UNLESS SPECIFIED)		DIMENSION STYLE MM ONLY		SCALE ---	DESIGN UNITS METRIC	THIRD ANGLE PROJECTION
	10 UNDER	± 0.2	DRAWN BY T. ITO	DATE '03/07/18	TITLE 0.4 B-TO-B CONN REC ASSY [NI BARRIER] (HGT=1.5) -LEAD FREE-		
	10 OVER 30 UNDER	± 0.25	CHECKED BY T. YAMAGUCHI	DATE '03/07/18			
	30 OVER	± 0.3	APPROVED BY T. YAMAGUCHI	DATE '03/07/18	MOLEX INCORPORATED		
	ANGULAR	± 3 °	MATERIAL NO.	DOCUMENT NO. SD-54796-005			
DRAFT WHERE APPLICABLE MUST REMAIN WITHIN DIMENSIONS		SIZE A3		THIS DRAWING CONTAINS INFORMATION THAT IS PROPRIETARY TO MOLEX INCORPORATED AND SHOULD NOT BE USED WITHOUT WRITTEN PERMISSION			

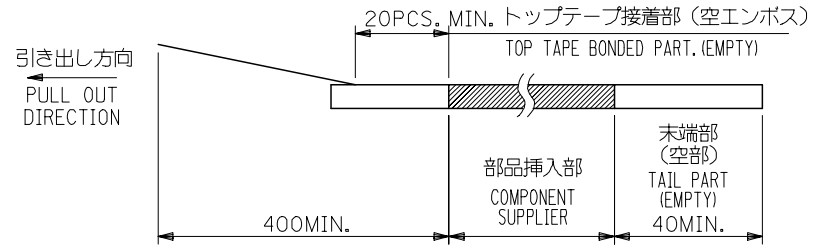
引き出し方向  
PULL OUT  
DIRECTION



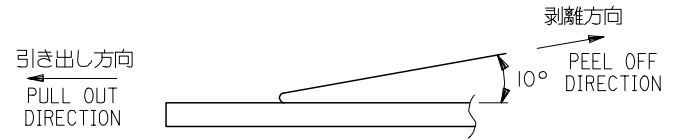
DETAIL 'F'

NOTES

- 製品詳細寸法については図面 SD-54796-005 を参照下さい。  
RE DETAILED DIMENSION, SEE SD-54796-005
- 梱包数量：3000個/リール  
NUMBER OF CONNECTORS : 3000PCS/REEL
- リードテープ長さ LEAD TAPE LENGTH



- トップテープの剥離強度：0.1~1.3N (10~130gf)  
(剥離方向は下図参照)  
尚、本規格値は出荷時に適用。(但し、輸送時に剥離が発生しないこと。)  
PEELING OFF FORCE OF TOP TAPE : 0.1~1.3N (10~130gf)  
(PEELING DIRECTION AS SHOWN IN FOLLOWING FIG.)  
THIS REQUIREMENT SHOULD BE APPLIED AT SHIPMENT.  
PEEL OFF SHOULD NOT BE ALLOWED , DURING TRANSPORTATION.



- 材料 (MATERIAL)  
キャリアテープ (CARRIER TAPE) : ポリプロピレン (POLYPROPYLENE)  
トップテープ (TOPTAPE) : PET , PE , PEF  
リール (REEL) : ポリスチレン (PS) <リサイクル材を含む>  
POLYSTYRENE(PS) <RECYCLE MATERIAL CONTAINED>

MODEL NO. 54796-\*\*\*4

材料 MATERIAL 注記参照 SEE NOTES 仕上げ FINISH # 適用電線範囲 WIRE RANGE # 被覆外径 INS. RANGE #	REVISED EC NO: J2005-2961 DRAWN: NABEI 2005/04/06 CHKD: KTOJO 2005/04/07 APPR: NUKITA 2005/04/12 A	GENERAL TOLERANCES (UNLESS SPECIFIED)		DIMENSION STYLE MM ONLY		SCALE ---	DESIGN UNITS METRIC	THIRD ANGLE PROJECTION		
		10 UNDER	±0.2	DRAWN BY T. ITO	DATE '03/07/18	TITLE 0.4 B-TO-B REC ASSY W/O NAIL HGT=1.5 EMBSTP PKG -LEAD FREE-				
		10 OVER 30 UNDER	±0.25	CHECKED BY T. YAMAGUCHI	DATE '03/07/18	APPROVED BY T. YAMAGUCHI '03/07/18				
		30 OVER	±0.3	MATERIAL NO. SEE CHART		DOCUMENT NO. SD-54796-006		SHEET NO. 1 OF 3		
DRAFT WHERE APPLICABLE MUST REMAIN WITHIN DIMENSIONS		SIZE A3		THIS DRAWING CONTAINS INFORMATION THAT IS PROPRIETARY TO MOLEX INCORPORATED AND SHOULD NOT BE USED WITHOUT WRITTEN PERMISSION						

10 9 8 7 6 5 4 3 2 1

F

E

D

C

B

A

F

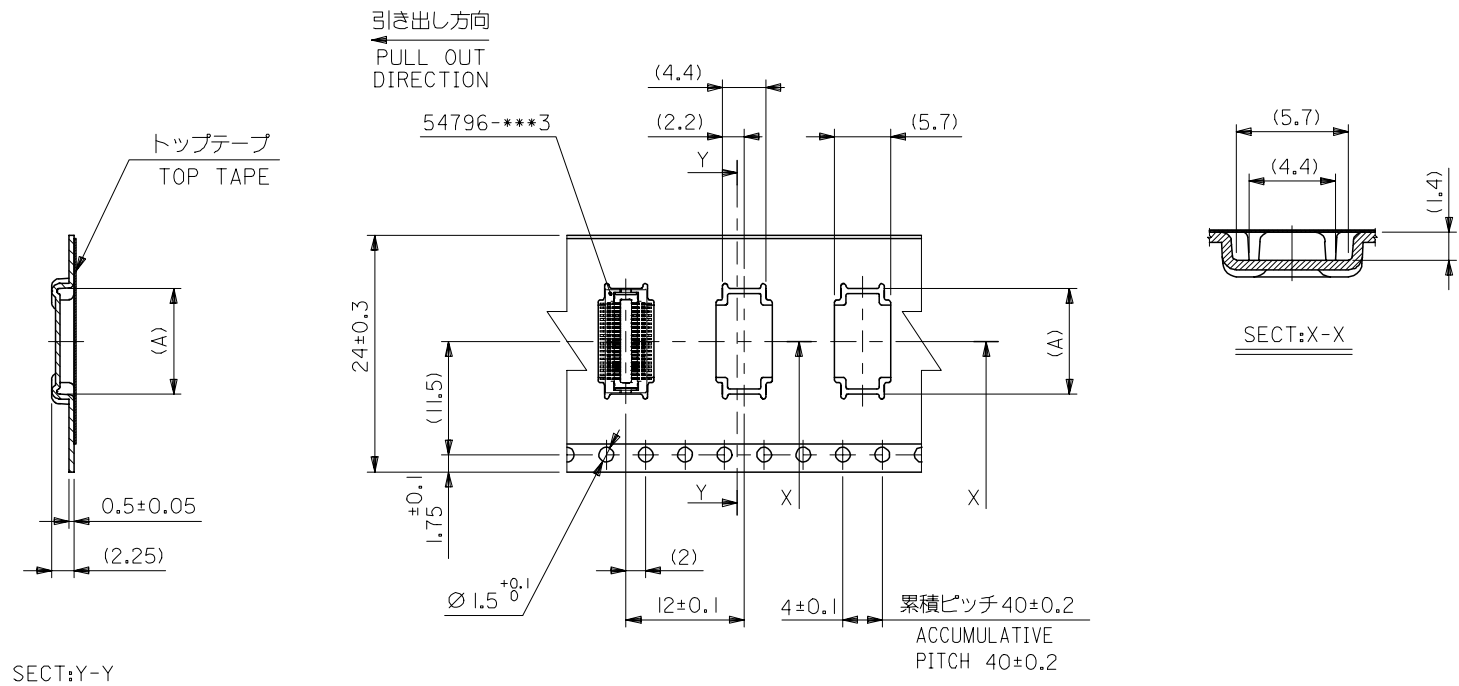
E

D

C

B

A



SECT:Y-Y

SECT:X-X

24mm幅キャリアテープ  
24mm WIDTH CARRIER TAPE

24	29.4	25.4	14.7	54796-0604	60	
			12.7	54796-0504	50	
			10.7	54796-0404	40	
			9.1	54796-0324	32	
キャリアテープ幅 CARRIER TAPE WIDTH		C	B	(A)	MATERIAL NO.	極数 CK+

REVISED EC NO: J2005-2961 DRAWN: NABEI CHKD: KTOJO APPR: NUKITA 2005/04/06 2005/04/07 2005/04/12	GENERAL TOLERANCES (UNLESS SPECIFIED)		DIMENSION STYLE MM ONLY		SCALE ---	DESIGN UNITS METRIC	MODEL NO. 54796-***4	
	10 UNDER	±0.2	DRAWN BY T. ITO		DATE '03/07/18		TITLE 0.4 B-TO-B REC ASSY W/O NAIL HGT=1.5 EMBSTP PKG -LEAD FREE-	
	10 OVER 30 UNDER	±0.25	CHECKED BY T. YAMAGUCHI		DATE '03/07/18		APPROVED BY T. YAMAGUCHI	
	30 OVER	±0.3	APPROVED BY T. YAMAGUCHI		DATE '03/07/18		MATERIAL NO.	
	ANGULAR	±3 °	MATERIAL NO.		DOCUMENT NO. SD-54796-006		SHEET NO. 2 OF 3	
DRAFT WHERE APPLICABLE MUST REMAIN WITHIN DIMENSIONS		SIZE A3		THIS DRAWING CONTAINS INFORMATION THAT IS PROPRIETARY TO MOLEX INCORPORATED AND SHOULD NOT BE USED WITHOUT WRITTEN PERMISSION				

10 9 8 7 6 5 4 3 2 1

F

E

D

C

B

A

F

E

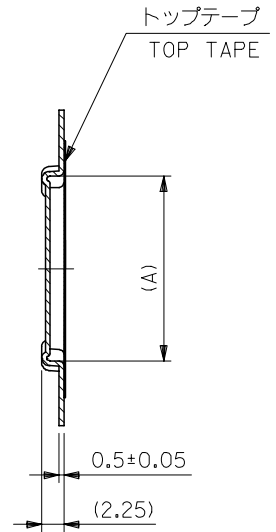
D

C

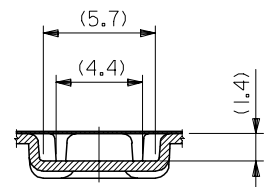
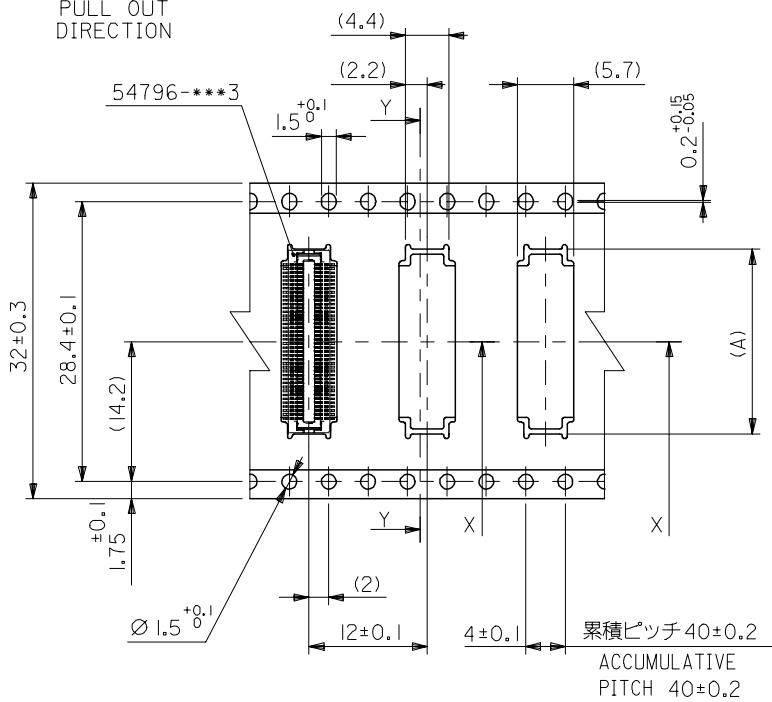
B

A

引き出し方向  
PULL OUT  
DIRECTION



SECT:Y-Y



SECT:X-X

32mm幅キャリアテープ  
32mm WIDTH CARRIER TAPE

32	37.4	33.4	20.7	54796-0904	90
			18.7	54796-0804	80
キャリアテープ幅 CARRIER TAPE WIDTH	C	B	(A)	MATERIAL NO.	極数 CK+

REVISED EC NO: J2005-2961 DRAWN: MNABEI CHKD: KTOJO APPR: NUKITA 2005/04/06 2005/04/07 2005/04/12	GENERAL TOLERANCES (UNLESS SPECIFIED)		DIMENSION STYLE MM ONLY		SCALE ---	DESIGN UNITS METRIC	THIRD ANGLE PROJECTION
	10 UNDER	±0.2	DRAWN BY T. ITO	DATE '03/07/18	TITLE 0.4 B-TO-B REC ASSY W/O NAIL HGT=1.5 EMBSTP PKG -LEAD FREE-		
	10 OVER 30 UNDER	±0.25	CHECKED BY T. YAMAGUCHI	DATE '03/07/18	MOLEX INCORPORATED		
	30 OVER	±0.3	APPROVED BY T. YAMAGUCHI	DATE '03/07/18	DOCUMENT NO. SD-54796-006		
	ANGULAR ±3 °	DRAFT WHERE APPLICABLE MUST REMAIN WITHIN DIMENSIONS		MATERIAL NO. SEE CHART		SHEET NO. 3 OF 3	
		THIS DRAWING CONTAINS INFORMATION THAT IS PROPRIETARY TO MOLEX INCORPORATED AND SHOULD NOT BE USED WITHOUT WRITTEN PERMISSION					