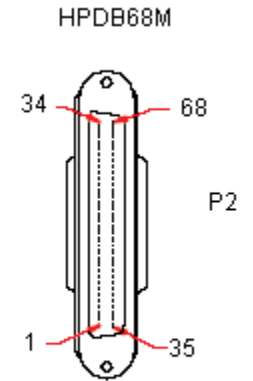
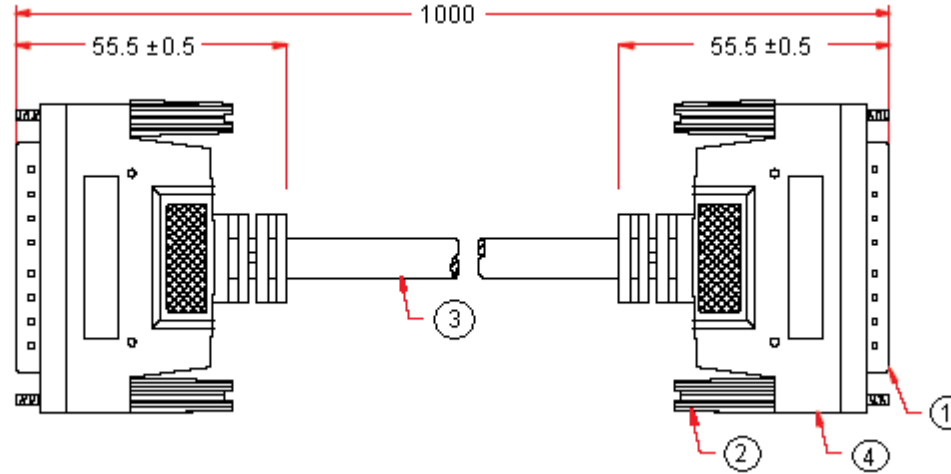
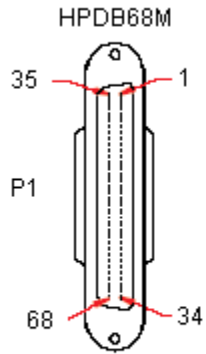


PART NO.

SS311

REVISIONS

ECN #	REV	DESCRIPTION	DRAWN	DATE	CHECKD	DATE	APPRVD	DATE
-	A	RELEASED	Kiran	04/04/09	Veena	04/04/09	Farnell	19/04/09



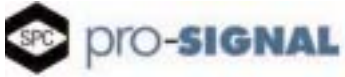
Dimensions : Millimetres

This data sheet and its contents (the "Information") belong to the Premier Farnell Group (the "Group") or are licensed to it. No licence is granted for the use of it other than for information purposes in connection with the products to which it relates. No licence of any intellectual property rights is granted. The Information is subject to change without notice and replaces all data sheets previously supplied. The Information supplied is believed to be accurate but the Group assumes no responsibility for its accuracy or completeness, any error in or omission from it or for any use made of it. Users of this data sheet should check for themselves the Information and the suitability of the products for their purpose and not make any assumptions based on information included or omitted. Liability for loss or damage resulting from any reliance on the Information or use of it (including liability resulting from negligence or where the Group was aware of the possibility of such loss or damage arising) is excluded. This will not operate to limit or restrict the Group's liability for death or personal injury resulting from its negligence. SPC pro-SIGNAL is the registered trademark of the Group. © Premier Farnell plc 2009.

TOLERANCES:
UNLESS OTHERWISE SPECIFIED, DIMENSIONS ARE FOR REFERENCE PURPOSES ONLY.

DRAWN BY:	DATE:
Kiran	04/04/09
CHECKED BY:	DATE:
Veena	04/04/09
APPROVED BY:	DATE:
Farnell	19/04/09

DRAWING TITLE:			
Cable - SCSI-III 68D To 68D, 1M			
SIZE	DWG NO.	ELECTRONIC FILE	REV
A		51411_DWG	A
SCALE: NTS	U.O.M.: mm	SHEET: 1 OF 3	

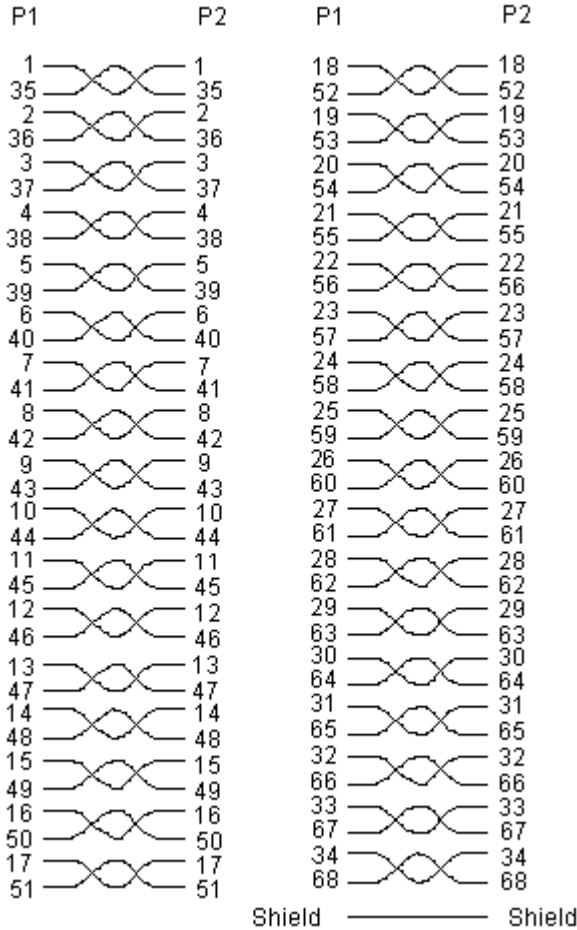


PART NO.

SS311

REVISIONS

ECN #	REV	DESCRIPTION	DRAWN	DATE	CHECKD	DATE	APPRVD	DATE
-	A	RELEASED	Kiran	04/04/09	Veena	04/04/09	Farnell	19/04/09



This data sheet and its contents (the "Information") belong to the Premier Farnell Group (the "Group") or are licensed to it. No licence is granted for the use of it other than for information purposes in connection with the products to which it relates. No licence of any intellectual property rights is granted. The Information is subject to change without notice and replaces all data sheets previously supplied. The Information supplied is believed to be accurate but the Group assumes no responsibility for its accuracy or completeness, any error in or omission from it or for any use made of it. Users of this data sheet should check for themselves the Information and the suitability of the products for their purpose and not make any assumptions based on information included or omitted. Liability for loss or damage resulting from any reliance on the Information or use of it (including liability resulting from negligence or where the Group was aware of the possibility of such loss or damage arising) is excluded. This will not operate to limit or restrict the Group's liability for death or personal injury resulting from its negligence. SPC pro-SIGNAL is the registered trademark of the Group. © Premier Farnell plc 2009.

TOLERANCES:
UNLESS OTHERWISE SPECIFIED, DIMENSIONS ARE FOR REFERENCE PURPOSES ONLY.

DRAWN BY:	DATE:
Kiran	04/04/09
CHECKED BY:	DATE:
Veena	04/04/09
APPROVED BY:	DATE:
Farnell	19/04/09

DRAWING TITLE:			
Cable - SCSI-III 68D To 68D, 1M			
SIZE	DWG NO.	ELECTRONIC FILE	REV
A		51411_DWG	A
SCALE: NTS	U.O.M.: mm	SHEET: 2 OF 3	



PART NO.

SS311

REVISIONS

ECN #	REV	DESCRIPTION	DRAWN	DATE	CHECKD	DATE	APPRVD	DATE
-	A	RELEASED	Kiran	04/04/09	Veena	04/04/09	Farnell	19/04/09

Specifications

Item	Description	Part Number
1	HPDB68 Male, Gold Flash on Contacts, Black Insulator (0.75)	SS111
2	Moulded Thumbscrew #2 to 56, Length 41mm, Light Beige	
3	34 Twisted Pairs 28AWG, Alum-mylar Foil and Copper Braid Shielding with Drain Wire, Outer Diameter 11.5mm, Jacket Light Beige	
4	Moulded PVC Light Beige	
	Moulded PE Colour Transparent	
	Copper Foil 33 x 150mm	
	Copper Foil 7.5 x 35mm	
	PE Hood Colour Transparent	

<http://www.farnell.com>

<http://www.newark.com>

<http://www.cpc.co.uk>

This data sheet and its contents (the "Information") belong to the Premier Farnell Group (the "Group") or are licensed to it. No licence is granted for the use of it other than for information purposes in connection with the products to which it relates. No licence of any intellectual property rights is granted. The Information is subject to change without notice and replaces all data sheets previously supplied. The Information supplied is believed to be accurate but the Group assumes no responsibility for its accuracy or completeness, any error in or omission from it or for any use made of it. Users of this data sheet should check for themselves the Information and the suitability of the products for their purpose and not make any assumptions based on information included or omitted. Liability for loss or damage resulting from any reliance on the Information or use of it (including liability resulting from negligence or where the Group was aware of the possibility of such loss or damage arising) is excluded. This will not operate to limit or restrict the Group's liability for death or personal injury resulting from its negligence. SPC pro-SIGNAL is the registered trademark of the Group. © Premier Farnell plc 2009.

TOLERANCES:
UNLESS OTHERWISE SPECIFIED, DIMENSIONS ARE FOR REFERENCE PURPOSES ONLY.

DRAWN BY:	DATE:
Kiran	04/04/09
CHECKED BY:	DATE:
Veena	04/04/09
APPROVED BY:	DATE:
Farnell	19/04/09

DRAWING TITLE:			
Cable - SCSI-III 68D To 68D, 1M			
SIZE	DWG NO.	ELECTRONIC FILE	REV
A		51411_DWG	A
SCALE: NTS	U.O.M.: mm	SHEET: 3 OF 3	