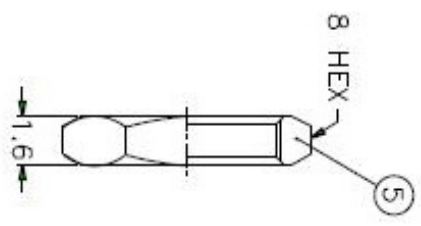
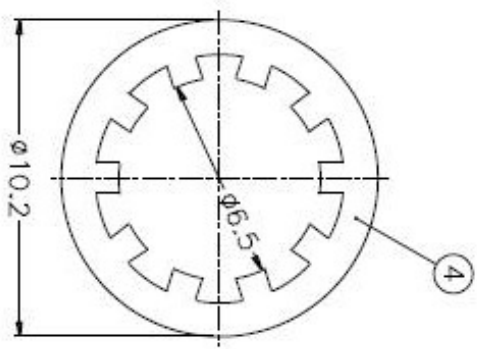
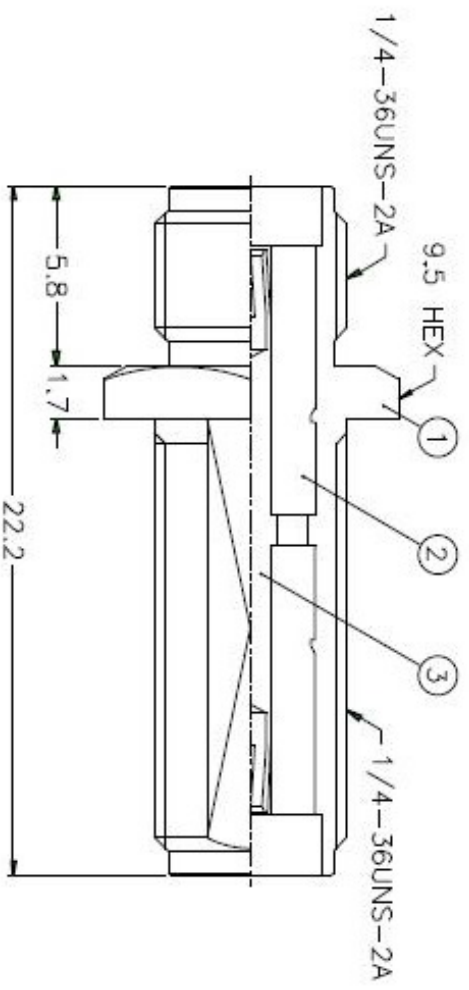
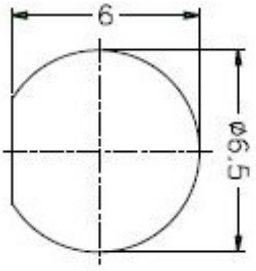


REVISIONS	
ISS ZONE	DESCRIPTION\PER REQUEST\DATE
1	
2	
3	
4	
5	
6	
7	
8	



- NOTES: FINISH (PLATING THICKNESS IN MICRO-INCHES)
1. BRASS PER 00-B-626
 2. BRASS PER 00-B-613
 3. GOLD PL. 3 MIN. THICK OVER NICKEL PL. 100 MIN. THICK OVER COPPER STRIKE
 4. BERYLLIUM COPPER PER 00-C-530
 5. GOLD PL. 50 MIN. THICK OVER NICKEL PL. 100 MIN. THICK OVER COPPER STRIKE
 6. PTFE MIL-P-19468

1. MAX. PANEL THICKNESS=6.4mm

Amphenol

DIMENSIONS ARE IN MILLIMETERS UNLESS OTHERWISE SPECIFIED	
TOLERANCES	
0.5-6 = ±0.2	
6-30 = ±0.4	
30-120 = ±0.6	
120-315 = ±1	
315-1000 = ±1.6	
1000-2000 = ±2.4	

PART NO.	SMA7471B1-3GT50G-50
APPROVED	DATE 10-11-01*
CHECKED	DATE 10-11-01*
DRAWN	DATE 10-11-01*
TITLE	SMA BULKHEAD FEMALE TO FEMALE ADAPTOR
DRAWING NO.	KJ-SMA7471B1-3GT50G-50
ITEM NO.	

NO.	DESCRIPTION	MATERIAL	FINISH	QTY	DRAWING NO.
1	HEX NUT	NOTE 1	NOTE 3	1	HNB-1/4-36X15
2	LOCK WASHER	NOTE 2	NOTE 3	1	LW-102/65X05
3	CONTACT PIN	NOTE 4	NOTE 5	1	SMA7910-3
4	INSULATOR	NOTE 6	NATURAL	2	SMA7471B1-ZT-50
5	BODY	NOTE 1	NOTE 3	1	SMA7471B1-1-B

SCALE	4/1
ISSUE	A

FILE NO.	
----------	--

DATE	10-11-01*
------	-----------

1 2 3 4 5 6 7 8