

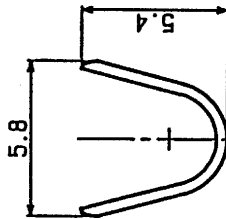
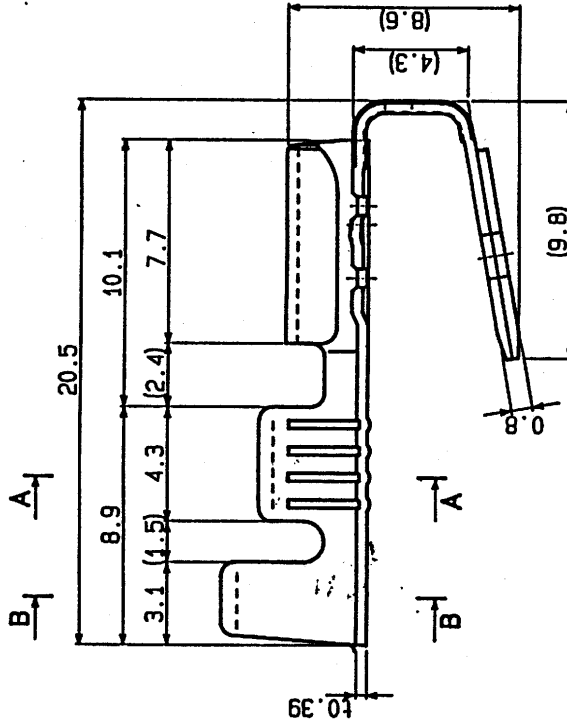
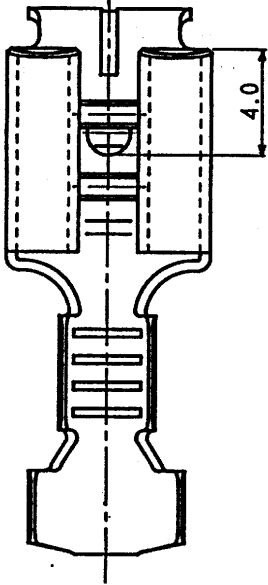
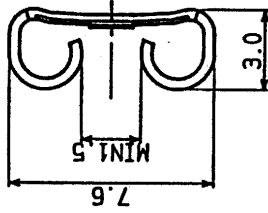
J.S.T. (U.K.) LTD.

13 MAY 2002

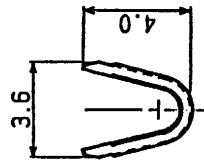
TECHNICALS
Department

NOTE

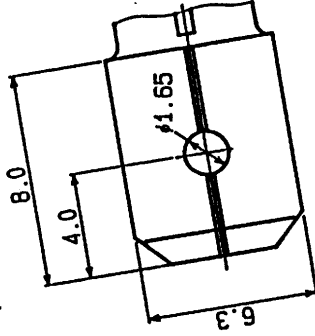
- 1. Dimensions are in MM
- 2. General tolerances
 - 0 ~ 3.0 :±0.2
 - 3.1 ~ 9.0 :±0.3
 - 9.1 ~ :±0.5



B-B SEC.



A-A SEC.



C VIEW

UNCONTROLLED ISSUE

THIS DRAWING / DOCUMENT IS THE PROPERTY OF J.S.T. (U.K.) LTD. IT MUST NOT BE COPIED OR USED FOR MANUFACTURE WITHOUT WRITTEN PERMISSION FROM J.S.T. (U.K.) LTD.

TERMINAL		BRASS		TIN-PLATED		REVISIONS	
No.	NAME	MATERIAL	REMARKS	DATE	PROJECTION	SCALE	DATE
J. S. T.							
APPROVED BY	CHKD BY	DRAWN BY	SCALE	PROJECTION	DATE <td colspan="2">PART NAME</td>	PART NAME	
A/H	K/M	E.O	3rd	1st	JAN. 8 1992	PART NO.	
						SPB-2, 5T-250N-S	
						DRAWING No.	
						KRD-14445	
						E.C.109-0	