

**MICRO SWITCH**

A DIVISION OF MINNEAPOLIS-HONEYWELL REGULATOR COMPANY  
MINNEAPOLIS, MINNESOTA

FED. MFR. CODE 91929

# ACTUATOR-SWITCH

CATALOG LISTING

## JE-5

### FAA-PMA

(M) JE-5  
ISSUE 3

REPLACES

RELEASE NO.

# JE-5

PAGE 1 OF 1

# M

DRAWING NUMBER

ISSUE 10

#### REVISIONS

A	NEW DRAWING	19 NOV 98
	KLB	
	21 OCT 99	
B	CO47771	
	CJH	
	17 MAY 80	
C	CO 61293	
	WJM	
	14 APR 87	
D	CO74078	
	LJF	
	25 NOV 92	
E	CO79303	
	DLT	
	2 MAR 95	
F	CO-93498	
	MPO	
	19 NOV 98	
G	205138	
	S A V	
	14 MAR 02	

CHECK

JAF

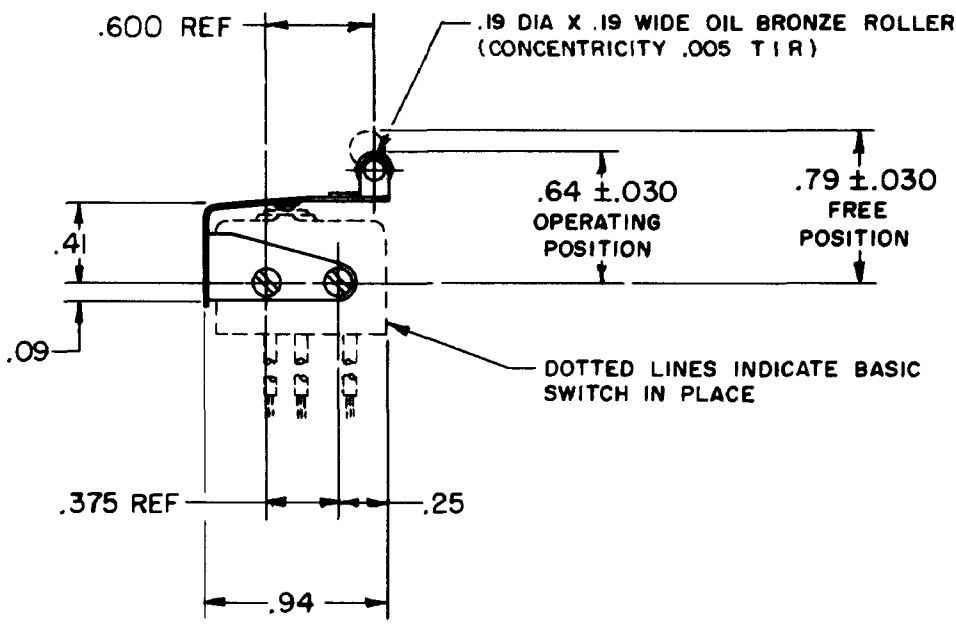
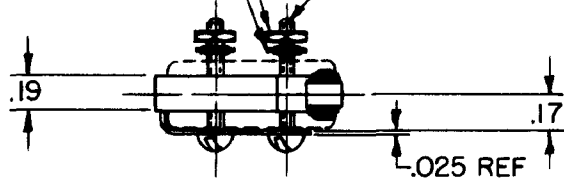
CHECK

CHECK

59

DRAWN

- 2-56 NC X .625 REF ROUND HEAD MACHINE SCREW (2)  $\triangle 1$
- 2-56 NC HEX NUT (2)  $\triangle 1$
- LOCKWASHER (2)  $\triangle 1$



NOTE  $\triangle 1$  - FURNISHED UNASSEMBLED

THIS DRAWING COVERS A PROPRIETARY ITEM AND IS THE PROPERTY OF MICRO SWITCH, A DIVISION OF MINNEAPOLIS-HONEYWELL REGULATOR CO. THIS DRAWING IS NOT TO BE COPIED OR USED WITHOUT THE APPROVAL OF MICRO SWITCH

#### CHARACTERISTICS (WITH ISEI BASIC SWITCH INSTALLED)

OPERATING FORCE	-----12 OZ MAX
RELEASE FORCE	-----2 OZ MIN
DIFFERENTIAL TRAVEL	-----.025 MAX
OVERTRAVEL	-----.015 MIN

#### ELECTRICAL DATA

CONTACT ARRANGEMENT	BREAK DISTANCE
---------------------	----------------

#### SCALE FULL

DO NOT SCALE PRINT

UNLESS OTHERWISE SPECIFIED  
DIMENSIONS ARE IN INCHES

**TOLERANCES ARE:**

ONE PLACE	(.0)	±.030
TWO PLACE	(.00)	±.015
THREE PLACE	(.000)	±.005
ANGLES		±

WEIGHT

FO-80378