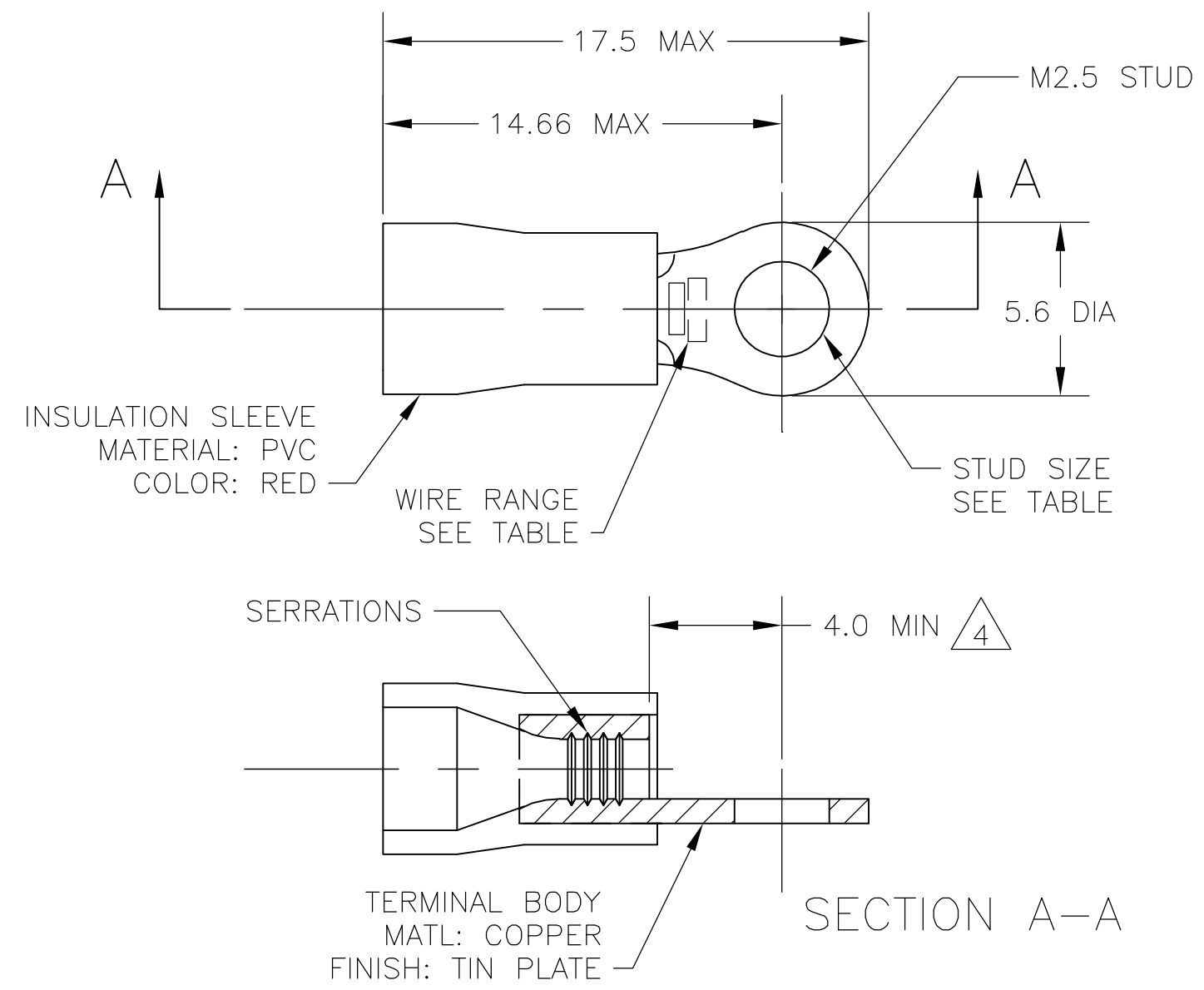


THIS DRAWING IS UNPUBLISHED. RELEASED FOR PUBLICATION
 © COPYRIGHT BY TYCO ELECTRONICS CORPORATION. ALL RIGHTS RESERVED.

LOC	DIST	REVISIONS			
P	LTR	DESCRIPTION	DATE	DWN	APVD
G	02	R1	REV PER ECR-06-001930	13FEB06	HMR TM



- 1 WIRE SIZE IS 22-16 AWG
- 2 WIRE INSULATION DIA: 2.7-3.6
- 3 MATERIAL THICKNESS IS 0.8
- 4 DIMENSION APPLIES FROM EDGE OF METAL WIRE BARREL TO END OF PIN.
- 5 SUPERSEDED BY 342101-1

POLY BAG WITH HEADER	STANDARD	100	5	7-342101-1
PLASTIC BOX	STANDARD	100	5	6-342101-1
TAPED MOUNTED	STANDARD	5000		2-342101-1
PLASTIC BAG	STANDARD	100		342101-1
PACKAGING	LABELLING	QTY		PART NO

DIMENSIONS: INCHES		TOLERANCES UNLESS OTHERWISE SPECIFIED:		MATERIAL		FINISH	
0 PLC	± -	1 PLC	± 0.5				
2 PLC	± -	3 PLC	± -				
4 PLC	± -	ANGLES	± 1°				

THIS DRAWING IS A CONTROLLED DOCUMENT.		DWN jr ruth 02DEC05	Tyco Electronics Corporation	
CHK T MICHELUTTI 02DEC05	APVD T MICHELUTTI 02DEC05		Harrisburg, PA 17105-3608	
PRODUCT SPEC	APPLICATION SPEC		NAME	
-		-		TERMINAL, RING TONGUE, PLASTI-GRIP,
-		-		-
-		-		-
SIZE	CAGE CODE	DRAWING NO	RESTRICTED TO	
A2	00779	C=342101	-	
CUSTOMER DRAWING		SCALE	SHEET	REV
-		5:1	1 of 1	R1