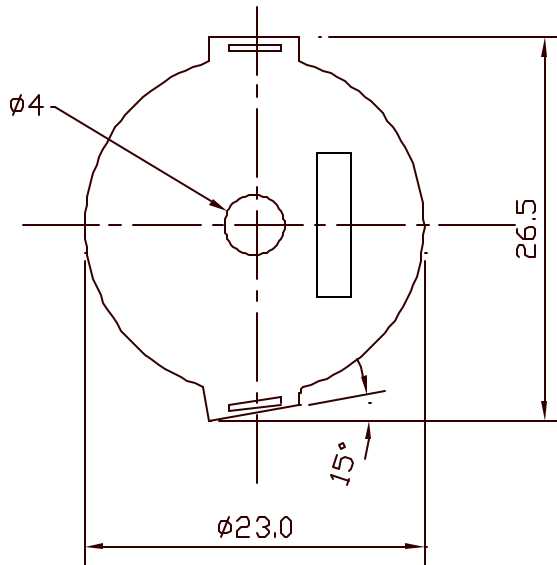


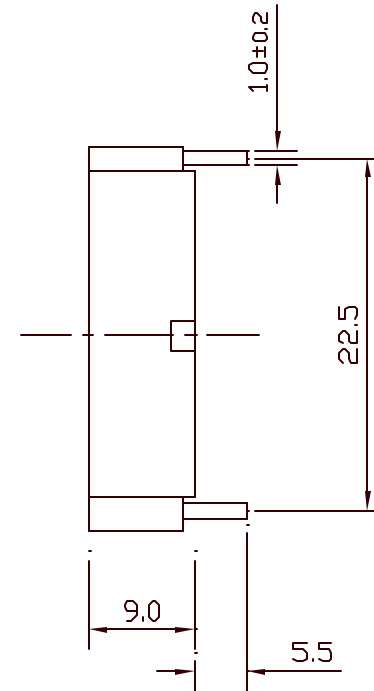
THIS DOCUMENT CONTAINS DATA PROPRIETARY TO PROJECTS UNLIMITED, INC. ANY REPRODUCTION, IN ANY FORM, WITHOUT PRIOR WRITTEN PERMISSION OF PROJECTS UNLIMITED, INC. IS PROHIBITED.

## SPECIFICATIONS

PARAMETERS	VALUES	UNITS
Rated Voltage (Square Wave)	10	Vp-p
Operating Voltage	1 ~ 30	Vp-p
Rated Current (Max)	6.0	mA
Sound Pressure Level (Min) @ 10 cm	88	dBA
Resonant Frequency	2048	Hz
Capacitance @ 120 Hz	20,000 ± 30%	pF
Operating Temperature	-20 ~ +60	°C
Storage Temperature	-30 ~ +70	°C
Weight	2	g



REVISIONS			
LTR	DESCRIPTION	DATE	APPROVED
-	RELEASED FROM ENGINEERING	1/9/03	



### NOTES:

1. ALL DIMENSIONS ARE IN MILLIMETERS.
2. SPECIFICATION SUBJECT TO CHANGE OR WITHDRAWAL WITHOUT NOTICE.

UNLESS OTHERWISE SPECIFIED  
DIMENSIONS ARE IN MILLIMETERS  
(TOLERANCES ARE)  
FRACTIONS DECIMALS ANGLE  
± .XX ± 0.5 ±  
.XXX ±

 **projects®  
unlimited** Dayton, Ohio

PIEZO AUDIO TRANSDUCER  
AT-2220-1

APPROVALS	DATE
DRAWN <i>B. W.</i>	1/03
CHECKED	
APPROVED	

SIZE	MATERIAL	DRAWING NO.
A		AT-2220-1
SCALE	N/A	MAX. WT.
		SHEET 1 OF 1

FILE NAME  
AT-2220-1.DWG

DO NOT SCALE DRAWING