

CHARACTERISTICS:

ELECTRICAL: (AT 28VDC OR 115VAC)

LOAD	RATING	LIFE(MIN)
RESISTIVE	16A	25000 CYCLES
RESISTIVE	10A	50000 CYCLES
INDUCTIVE	10A	25000 CYCLES
MOTOR	.5 HP	25000 CYCLES
DWV	1050 VRMS	

MECHANICAL:

MECHANICAL LIFE: 100,000 CYCLES MINIMUM
 SEAL: SUBMERSIBLE TO IP 68
 TEMP. RANGE: -30°C TO +85°C

PHYSICAL:

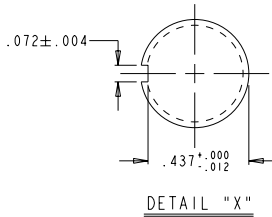
BUSHING: ANODIZED ALUMINUM
 TOGGLE: STAINLESS STEEL
 CASE: THERMOPLASTIC
 TERMINAL: .032" THICK BRASS
 CONTACTS: FINE SILVER/SILVER CAD. OXIDE

MARKING:

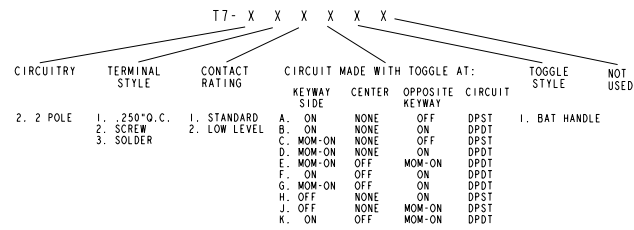
OTTO
 T7-2-_-1-
 DATE CODE (YYWW)
 10 JA 125 VAC
 UL & CSA LOGOS

HARDWARE INCLUDED:

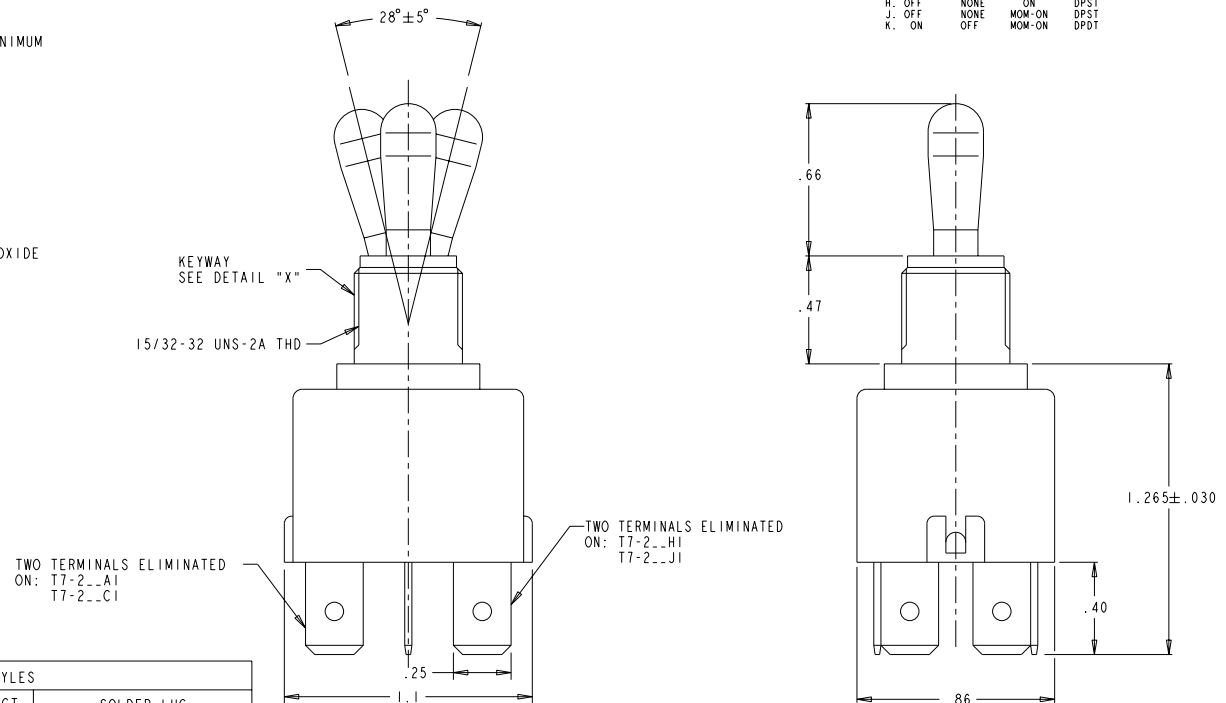
2 HEXNUTS
 1 LOCKWASHER
 1 KEYWAY WASHER



T7 PART NUMBER CODE



T7-2-_-1-			
REV	OCN #	DATE	APR
G	000715	26 APR 99	JBC
H	003824	03 MAR 00	JBC
J	004798	02 MAY 00	JBC



TERMINAL STYLES		
SCREW	QUICK CONNECT	SOLDER LUG
ALL TERMINAL .032 THK.		

<input checked="" type="checkbox"/> MAJOR <input checked="" type="checkbox"/> CRITICAL <input checked="" type="checkbox"/> SPC CRITICAL		PROCESS: _____ MATERIAL: _____		OTTO CONTROLS DIVISION OF OTTO ENGINEERING INC. CARPENTERSVILLE, ILLINOIS USA		DESCRIPTION TOGGLE SWITCH, TWO POLE	
UNLESS OTHERWISE SPECIFIED: DIMENSIONS ARE IN INCHES. TOLERANCES ARE AS LISTED. MUST BE FREE FROM BURRS AND SHARP EDGES.		TOLERANCES .xx ±.01 .xxx ±.005 ANGLES ± SURFACES 64 MICROINCH DO NOT SCALE DRAWING.		THE INFORMATION CONTAINED HEREIN IS THE PROPERTY OF OTTO ENGINEERING INC. AND CONSTITUTES PROPRIETARY INFORMATION. RIGHT TO MANUFACTURE GRANTED BY WRITTEN AUTHORIZATION ONLY.		DRWN. ISA SIZE B FSCM NO 21649 DRAWING NO. T7-2-_-1- REV. J CHKD. AG APPD. MH DATE 20-Apr-99 THIRD ANGLE PROJECTION Scale 2:1 Sheet 1 OF 1	