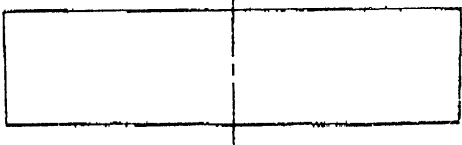
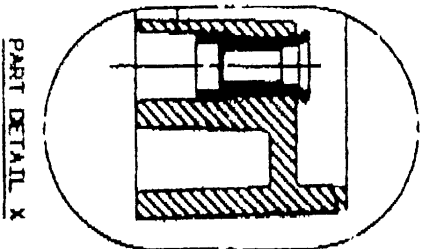
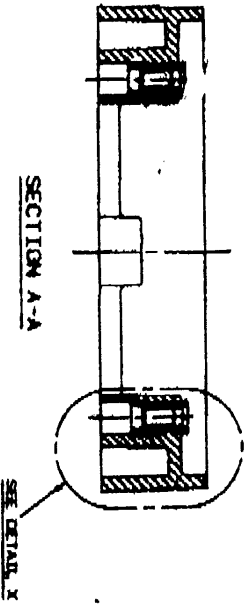
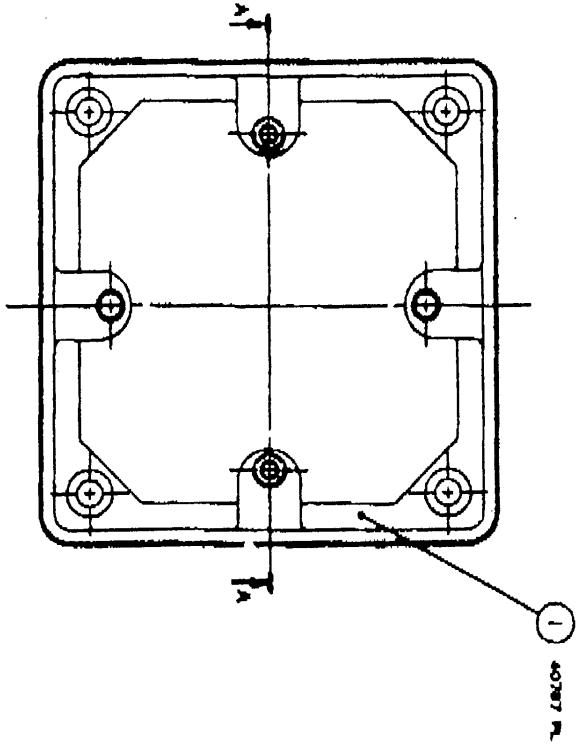


987 402

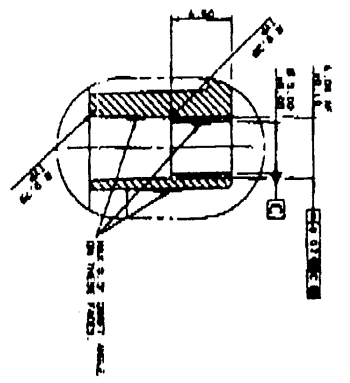


WARNING - UNMAINTAINED

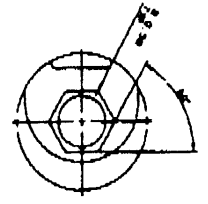
COPY

1 GANG 20mm TRUNKING  
MOUNTING FRAME

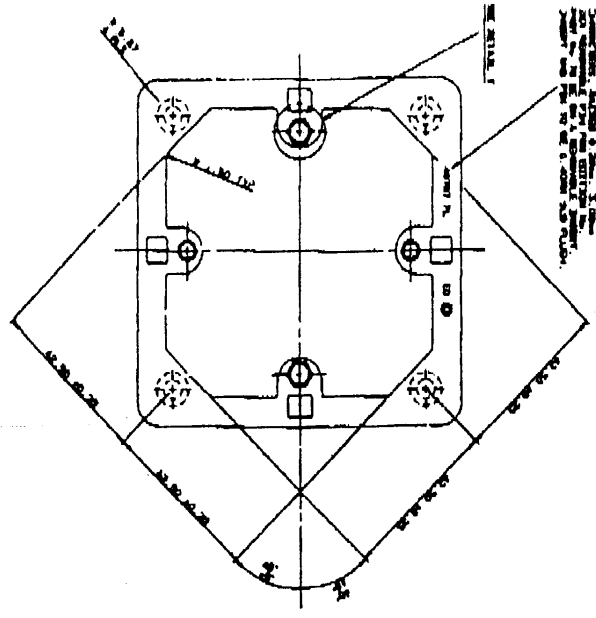
WARRANTY  
P.A. K2134  
L.N. SHEET 1 OF 1  
NO38AA 11WD 235



PART DETAIL X  
SCALE 5:1  
TYPICAL 2 PLACES

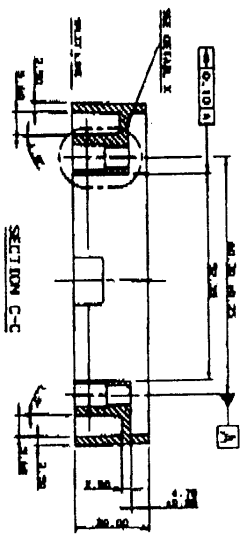
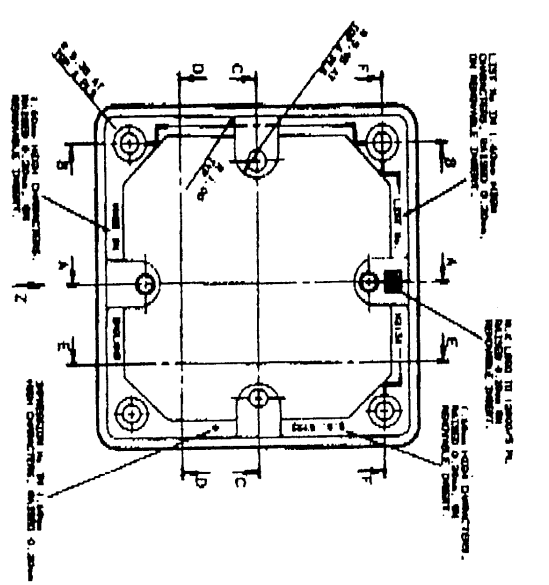
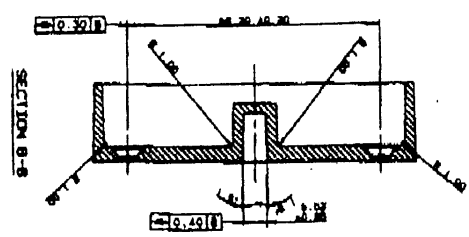


PART DETAIL Y  
SCALE 5:1  
TYPICAL 2 PLACES

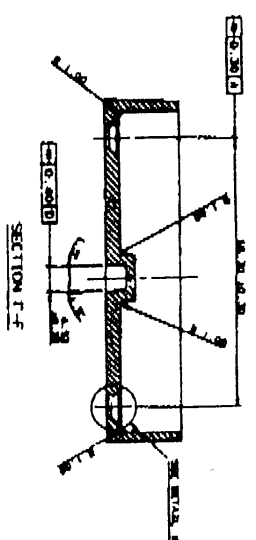


ALL DIMENSIONS IN THIS VIEW TAKEN AT SPLIT LINE

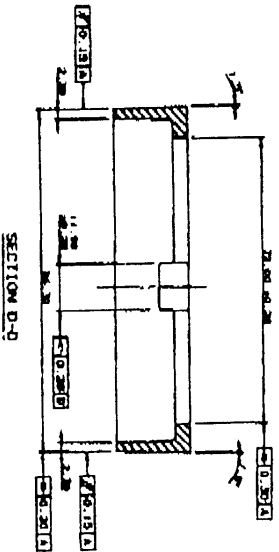
GENERAL NOTES:  
DIMENSIONS TO BE CLEAR AND FREE FROM TOLERANCE.  
LETTERING POSITION TO BE AS SHOWN BY U.S. TECHNICAL DRAWING.



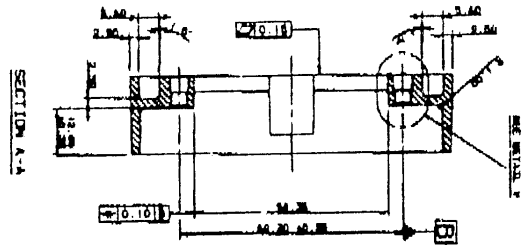
SECTION C-C



SECTION F-F

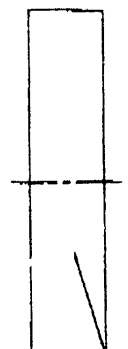


SECTION D-D

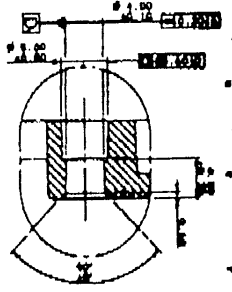


SECTION A-A

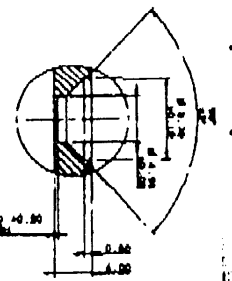
VIEW IN DIRECTION OF ARROW Z



PART DETAIL V  
SCALE 5:1  
TYPICAL 2 PLACES



PART DETAIL W  
SCALE 5:1  
TYPICAL 1 PLACE



40787 PL  
MOUNTING FRAME  
(MOUNTED) GANG



40787 PL  
MOUNTING FRAME  
(MOUNTED) GANG