

Honeywell

SMALL PRECISION
LIMIT SWITCH

CATALOGUE LISTING
914CE SERIES
CHART MTG-CE-11

SWITCH TYPE	ISSUE	RELEASE NUMBER	OPTIONS	D.T. MAX	P.T. MAX	O.T. MIN	OPERATING FORCE (MAX)		RELEASE FORCE (MIN)	
							NEWTONS	GMF	NEWTONS	GMF
914CE16	10	MEC87/118	NONE, A, F, G, LI, V C.	3° 15°	30°	40	7.85	800	1.0	100

914 CE SERIES
CHART MTG-CE-11

M

DRAWING

4

ISSUE

REPLACES

RELEASE NUMBER MEC87/118

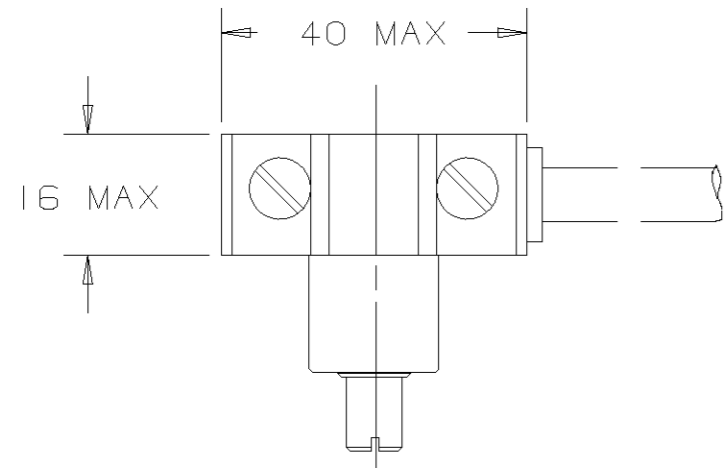
REVISIONS

2	CNI 3680
2/4/88	
3	CNI 3895
12/9/88	
4	CNI 6516
23/8/95	

CHECK

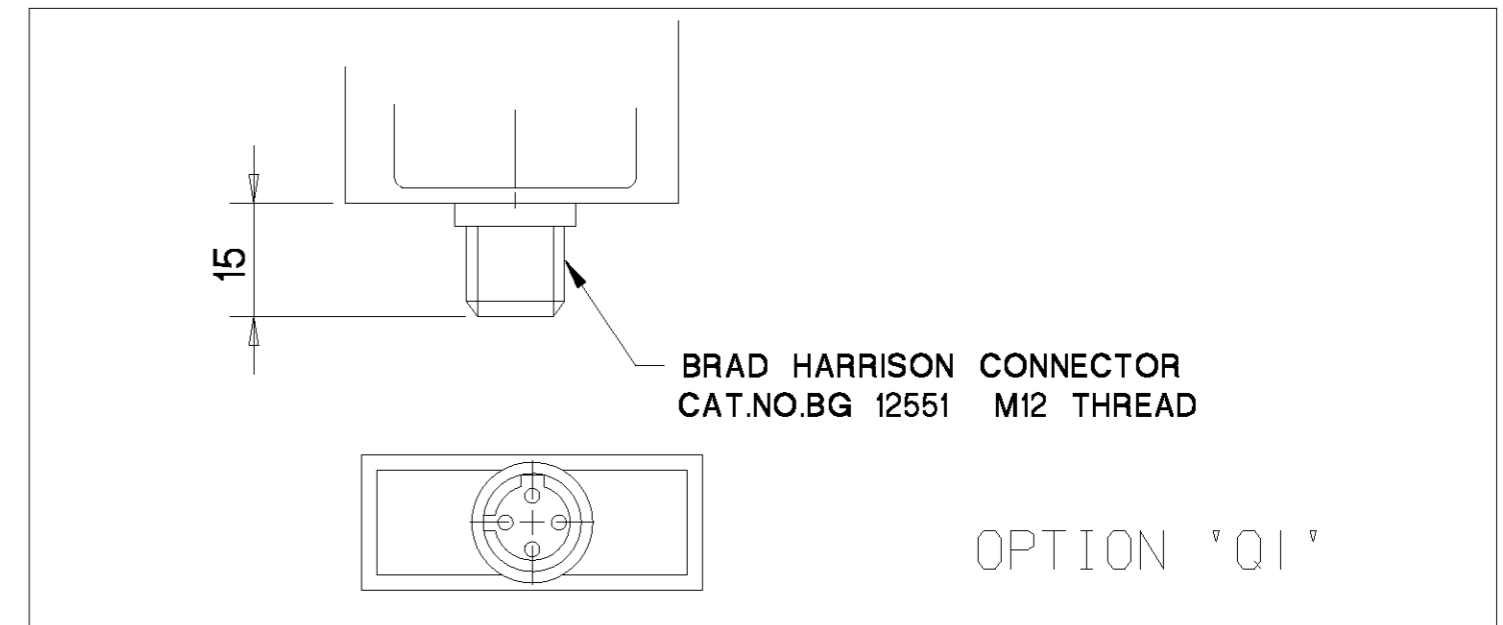
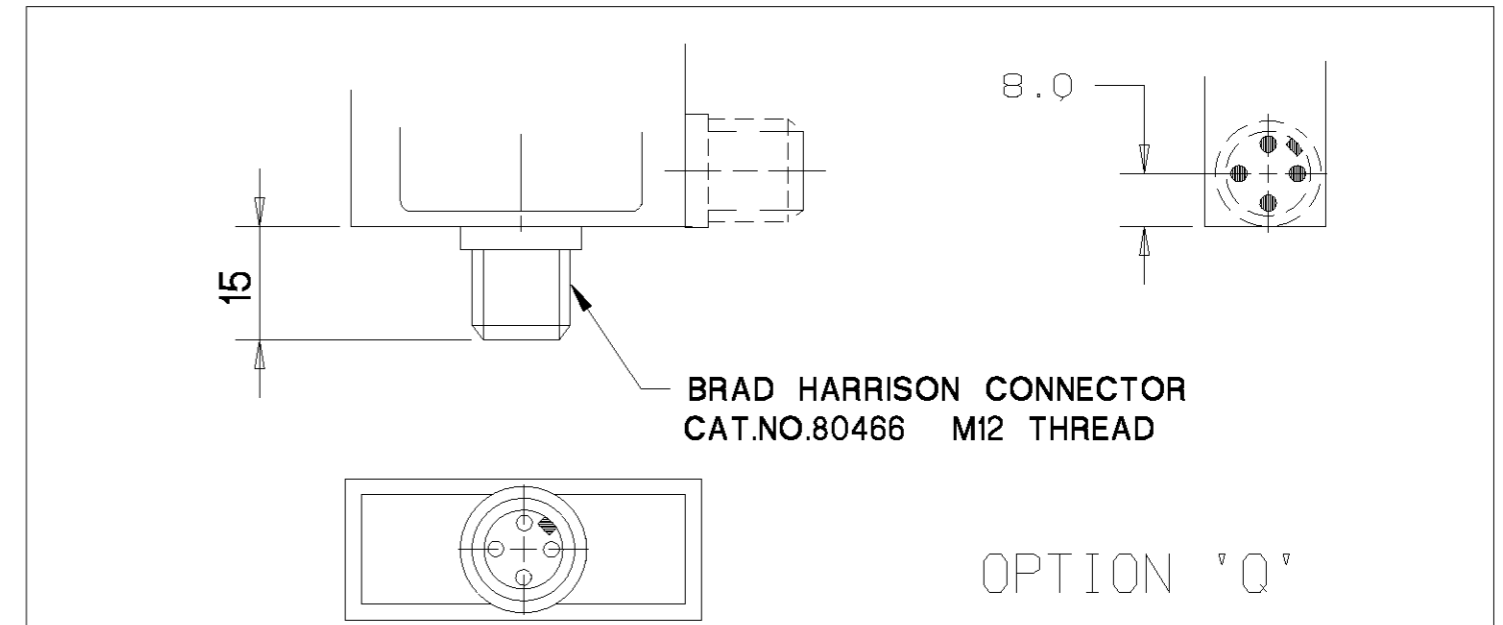
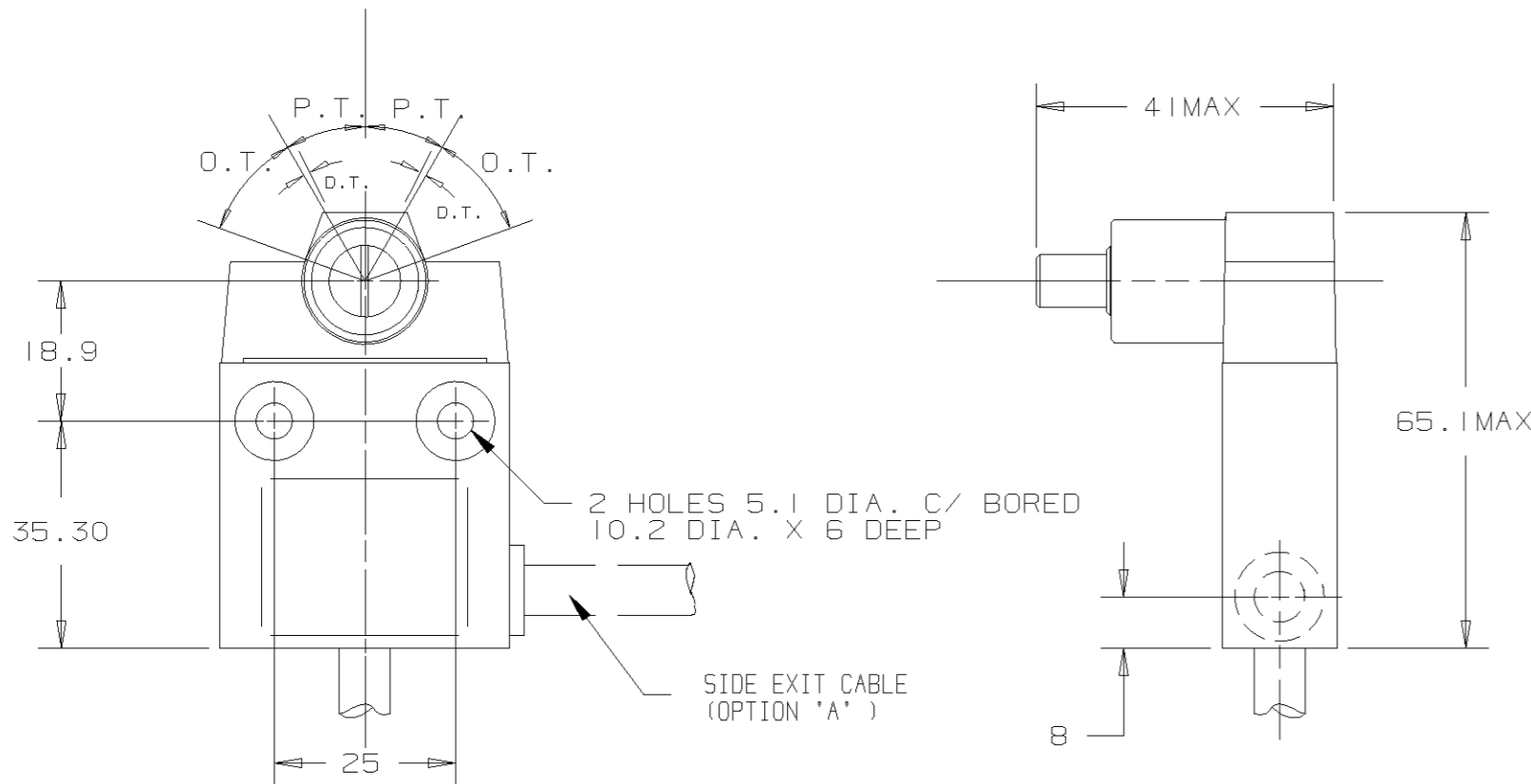
TRACED

DRAWN PC 10.11.87



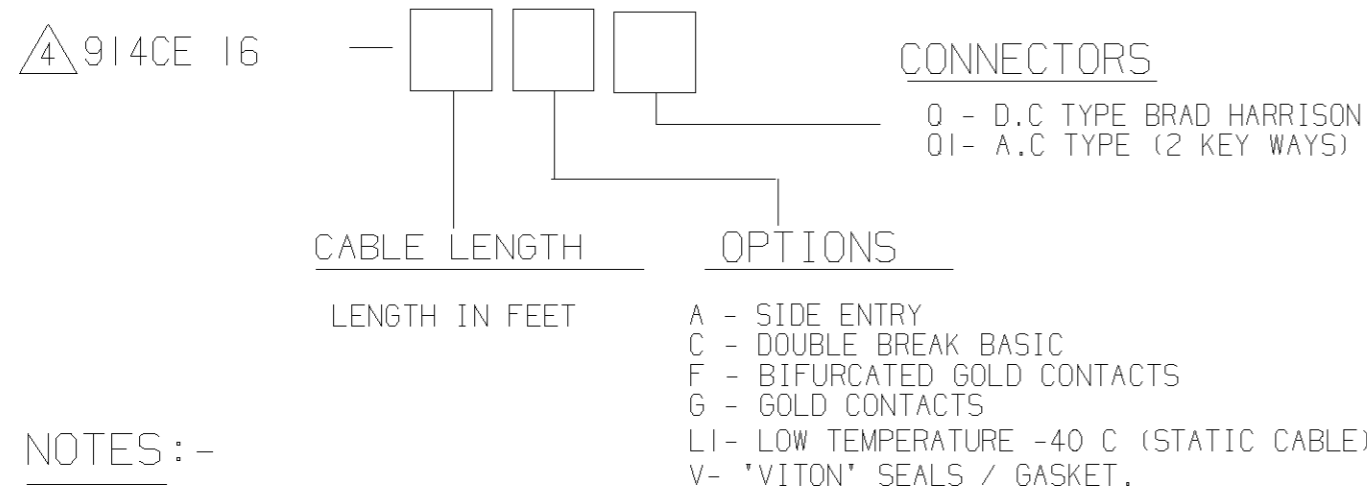
LEGEND

P.T. : PRE TRAVEL
D.T. : DIFFERENTIAL TRAVEL
O.T. : OVERTRAVEL



CATALOGUE LISTING CONVENTION

OPTIONS CAN BE COMBINED WITHIN LOGICAL LIMITS (EG 914CE16-3AG)

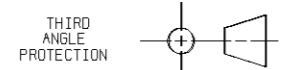


NOTES:-

- 1 : DIE CAST HOUSING FINISHED IN GREY PAINT
- 2 : TEMPERATURE RANGE:
STANDARD CONSTRUCTION : 0° C TO +70° C
- 3 : FORCES MEASURED AT 38.1 RADIUS
- 4 : ALL LOGICAL LISTINGS ARE IEC 947-5-1 APPROVED EXCEPT:
OPTIONS C, F, G

DIMENSIONS ARE IN
MILLIMETRES
PLOT SCALE 1:1

THE COPYRIGHT OF THIS DRAWING IS THE PROPERTY OF HONEYWELL LTD. THE DRAWING IS SUPPLIED IN CONFIDENCE AND MUST NOT BE USED FOR ANY PURPOSE OTHER THAN THAT FOR WHICH IT IS SUPPLIED.



BASIC SWITCH	ELECTRICAL RATINGS	CIRCUIT DIAGRAM	CABLE/CONNECTOR
STANDARD SILVER CONTACTS	IEC 947-5-1 EN60947-5-1 AC14 D300 DC13 R300 5A - 250VAC 1/10HP-125/250VAC LRI5775	S.P.D.T. RED 2 BLACK 1 GREEN 3 WHITE	4 X 18 A.W.G. SJT0 (UL/CSA APPROVED)
BIFURCATED GOLD - OPTION 'F' OR GOLD CONTACTS - OPTION 'G'	LRI5775	GREEN WHITE BROWN	5 CORE P.V.C SHEATHED (UL LISTED)
DOUBLE BREAK SILVER CONTACTS OPTION - 'C'	LRI5775	S.P.D.T. RED 2 BLACK 3 WHITE 1	2 3
BRAD HARRISON CONNECTOR CAT: No 80466 (OPTION '0')	IEC 947-5-1 EN60947-5-1 AC14 D300 DC13 R300 3A - 125 OR 250VAC LRI5775	GREEN WHITE	2 3
BRAD HARRISON CONNECTOR CAT: No BG 12551 (OPTION '01')	LRI5775	NOTE:- COMMON-RED W/BLACK TRACE NORMALLY OPEN-RED W/WHITE TRACE NORMALLY CLOSED-RED GROUND-GREEN	N.O. N.C.
DOUBLE BREAK SILVER CONTACTS OPTION 'C' WITH BRAD HARRISON CONNECTOR CAT: No BG 12551 (OPTION '01')	LRI5775	1. NORMALLY CLOSED- RED W/BLACK TRACE 2. NORMALLY CLOSED- RED GROUND- GREEN 3. NORMALLY OPEN- RED W/WHITE TRACE 4. NORMALLY OPEN- RED W/YELLOW TRACE	3(N.O.) 1(N.C.) 2(N.C.) 4(N.O.)